



## XC90

Section	Group	Weight(Kg/Pounds)	Year	Month
3	39		2001	11

XC90 2003, XC90 2004



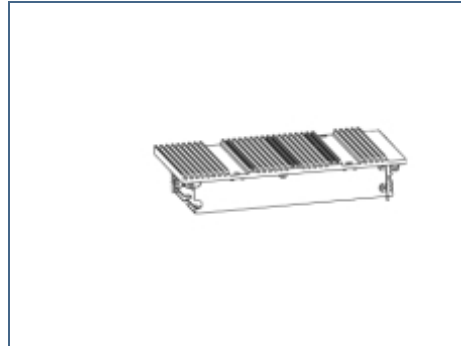
## Required tools



A0000162



A0801178



R3903906

Any comments on this publication? Please contact your nearest dealer. Thank you!

Publication no: MA 9162272, Issue: 2001-11
Comments:..... ..... ..... ..... ..... .....
From:.....
Address:.....
Telephone no:.....
Telefax:.....



## INTRODUCTION

- **NOTE! Read through the entire text before carrying out any work.**
- The front page gives the date of this edition and the edition it replaces
- The second page shows the tools needed for the installation and the contents of the installation kit
- The illustrations display the procedure in order of operation. The order of operation is repeated in the text section
- Cut out the text page in order to follow the illustrations and text at the same time.

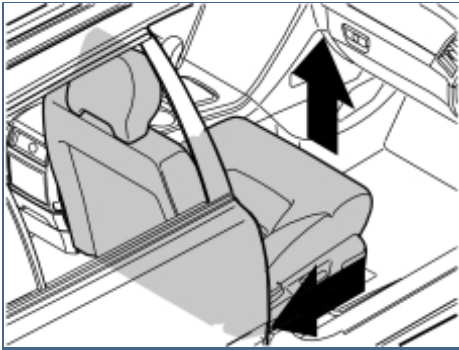
## Amplifier

### Note!

This accessory requires software unique to the car.



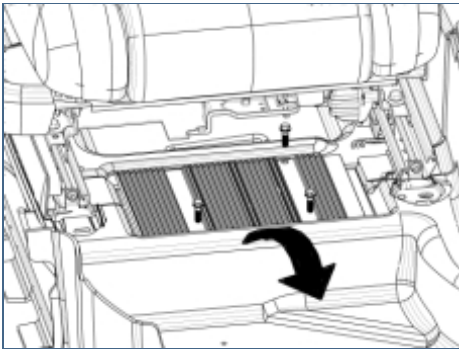
1



R8504090

- Open the right-hand front door
- Slide the right-hand seat back to the rearmost and uppermost position.

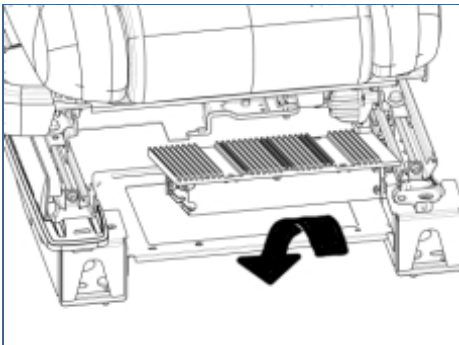
2A



R3903643

- Remove the three retaining screws holding the amplifier
- Lift up the front edge of the amplifier. Pull the amplifier upwards slightly. Disconnect the connectors on the reverse
- Place the amplifier to one side.
- Push the new amplifier down slightly in the recess and connect the connectors
- Position the amplifier. Secure the amplifier using the screws used for the existing amplifier.

2B



R3903644

3

- Program the software according to the service information in VIDA.