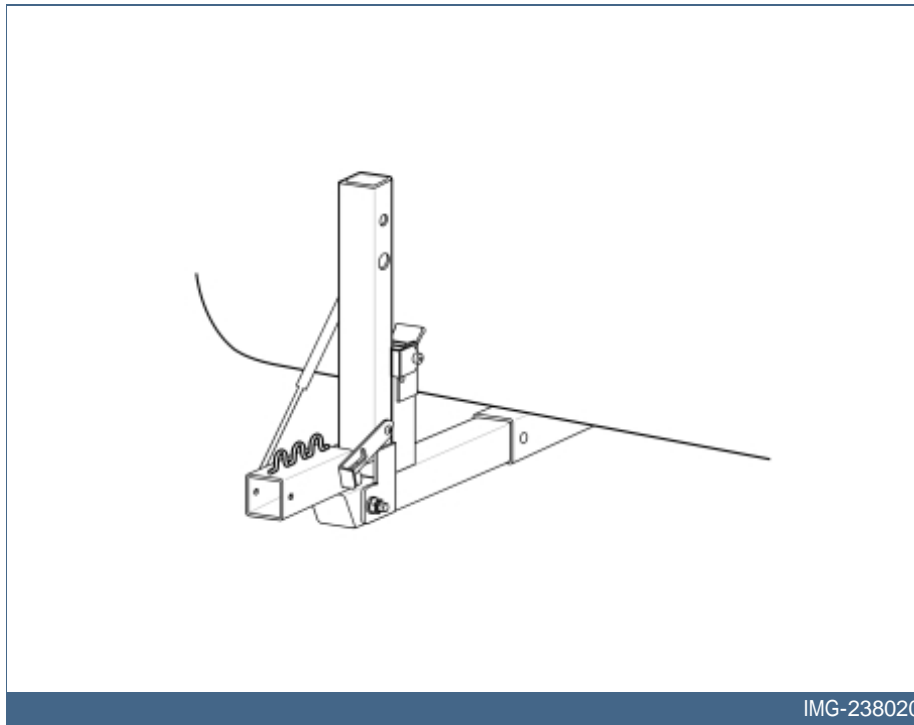




V70 XC (01-) / XC70 (-07) / S60 / S80 (-06) /
 XC90 / V70 (00-08) / S80 (07-) / XC70 (08-) / V70
 (08-)

Section	Group	Weight (Kg/Pounds)	Year	Month
8	89		2005	11

S60 2001 Volvo Cars North America, S60 2001 Volvo Cars North America, S60 2002 Volvo Cars North America, S60 2002 Volvo Cars North America, S60 2003 Volvo Cars North America, S60 2003 Volvo Cars North America, S60 2004 Volvo Cars North America, S60 2004 Volvo Cars North America, S60 2005 Volvo Cars North America, S60 2005 Volvo Cars North America, S60 2006 Volvo Cars North America, S60 2006 Volvo Cars North America, S60 2007 Volvo Cars North America, S60 2007 Volvo Cars North America, S60 2008 Volvo Cars North America, S60 2008 Volvo Cars North America, S60 2009, S80 (-06) 1999 Volvo Cars North America, S80 (-06) 1999 Volvo Cars North America, S80 (-06) 2000 Volvo Cars North America, S80 (-06) 2000 Volvo Cars North America, S80 (-06) 2001 Volvo Cars North America, S80 (-06) 2001 Volvo Cars North America, S80 (-06) 2002 Volvo Cars North America, S80 (-06) 2002 Volvo Cars North America, S80 (-06) 2003 Volvo Cars North America, S80 (-06) 2003 Volvo Cars North America, S80 (-06) 2004 Volvo Cars North America, S80 (-06) 2004 Volvo Cars North America, S80 (-06) 2005 Volvo Cars North America, S80 (-06) 2005 Volvo Cars North America, S80 (-06) 2006 Volvo Cars North America, S80 (-06) 2006 Volvo Cars North America, S80 (07-) 2007 Volvo Cars North America, S80 (07-) 2007 Volvo Cars North America, S80 (07-) 2008, S80 (07-) 2008 Volvo Cars North America, S80 (07-) 2008 Volvo Cars North America, S80 (07-) 2009, S80 (07-) 2010, V70 (00-08) 2001 Volvo Cars North America, V70 (00-08) 2001 Volvo Cars North America, V70 (00-08) 2002 Volvo Cars North America, V70 (00-08) 2002 Volvo Cars North America, V70 (00-08) 2003 Volvo Cars North America, V70 (00-08) 2003 Volvo Cars North America, V70 (00-08) 2004 Volvo Cars North America, V70 (00-08) 2004 Volvo Cars North America, V70 (00-08) 2005 Volvo Cars North America, V70 (00-08) 2005 Volvo Cars North America, V70 (00-08) 2006 Volvo Cars North America, V70 (00-08) 2006 Volvo Cars North America, V70 (00-08) 2007 Volvo Cars North America, V70 (00-08) 2007 Volvo Cars North America, V70 (00-08) 2008, V70 (08-) 2008, V70 (08-) 2008 Volvo Cars North America, V70 (08-) 2008 Volvo Cars North America, V70 (08-) 2009, V70 (08-) 2010, V70 XC (01-) / XC70 (-07) 2001 Volvo Cars North America, V70 XC (01-) / XC70 (-07) 2001 Volvo Cars North America, V70 XC (01-) / XC70 (-07) 2002 Volvo Cars North America, V70 XC (01-) / XC70 (-07) 2002 Volvo Cars North America, V70 XC (01-) / XC70 (-07) 2003 Volvo Cars North America, V70 XC (01-) / XC70 (-07) 2003 Volvo Cars North America, V70 XC (01-) / XC70 (-07) 2004 Volvo Cars North America, V70 XC (01-) / XC70 (-07) 2004 Volvo Cars North America, V70 XC (01-) / XC70 (-07) 2005 Volvo Cars North America, V70 XC (01-) / XC70 (-07) 2005 Volvo Cars North America, V70 XC (01-) / XC70 (-07) 2006 Volvo Cars North America, V70 XC (01-) / XC70 (-07) 2006 Volvo Cars North America, V70 XC (01-) / XC70 (-07) 2007 Volvo Cars North America, V70 XC (01-) / XC70 (-07) 2007 Volvo Cars North America, XC60 2009, XC60 2010, XC70 (08-) 2008, XC70 (08-) 2008 Volvo Cars North America, XC70 (08-) 2008 Volvo Cars North America, XC70 (08-) 2009, XC70 (08-) 2010, XC90 2003 Volvo Cars North America, XC90 2003 Volvo Cars North America, XC90 2004 Volvo Cars North America, XC90 2004 Volvo Cars North America, XC90 2005 Volvo Cars North America, XC90 2005 Volvo Cars North America, XC90 2006 Volvo Cars North America, XC90 2006 Volvo Cars North America, XC90 2007 Volvo Cars North America, XC90 2007 Volvo Cars North America, XC90 2008, XC90 2008 Volvo Cars North America, XC90 2008 Volvo Cars North America, XC90 2009, XC90 2010



IMG-238020

Installation instructions, accessories - Base unit tow hitch

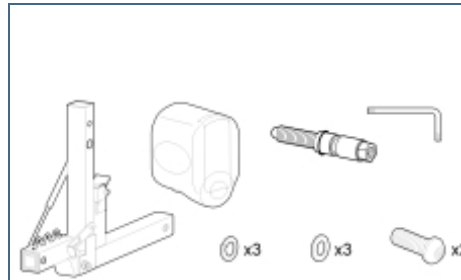
Volvo Car Corporation Göteborg, Sweden



Required tools



A0000162



T8902587

Any comments on this publication? Please contact your nearest retailer. Thank You!

Publ.no:	Issue:	Kit no:
Comments:.....		
.....		
.....		
.....		

From:	
Address:	
Telephone:	
Telefax:	

IMG-213320



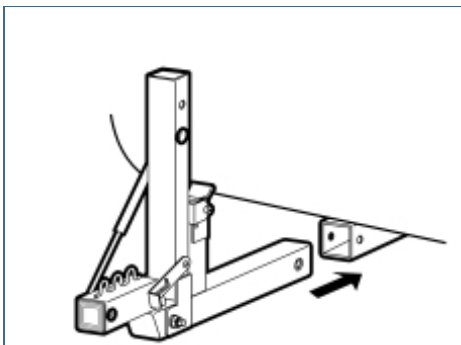
INTRODUCTION

Base unit tow hitch

- **NOTE! Read through the entire text before carrying out any work.**
- The front page gives the date of this edition and the edition it replaces
- The second page shows the tools needed for the installation and the contents of the installation kit
- The illustrations display the procedure in order of operation. The order of operation is repeated in the text section
- Cut out the text page in order to follow the illustrations and text at the same time.



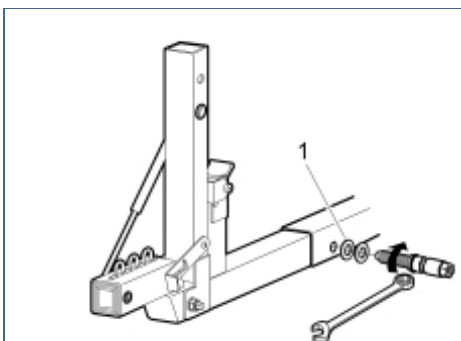
1



T8902588

Installing the base unit

2

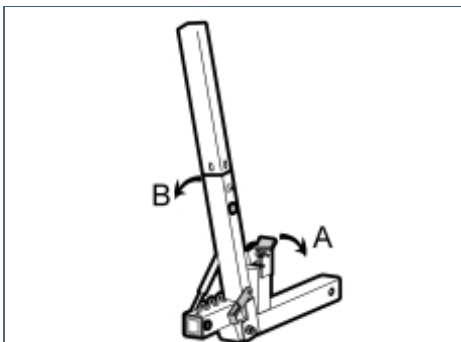


T8903130

Tightening the base unit on the tow hitch

- Install the bolt as illustrated. The spring washer (1) must be positioned between the tow hitch and the flat washer
- Use a box spanner when tightening. Tighten securely.

3

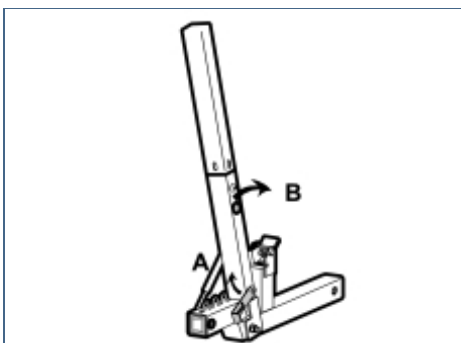


T8902578

Tilting the base unit

- Press the catch (A) to tilt the base unit
- Fold the base unit (B) down until the stop catches engage.

4A



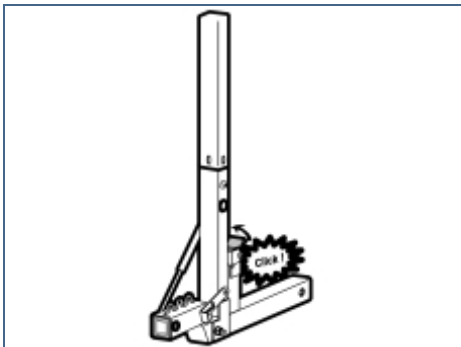
T8902579

Tilting the base unit back into position

- Lift the catch (A) and fold the base unit back into position (B).
- Fold the base unit back until two clicks are heard and the catches go up.

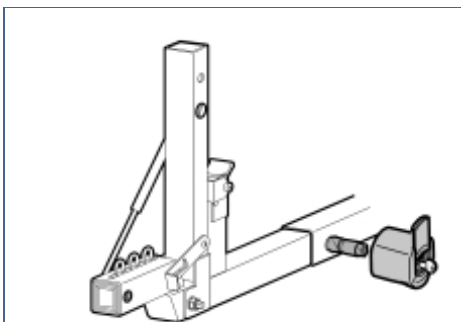


4B



T8902580

5



T8902862

Locking the base unit

- A lock can be added to the base unit. This is included in the kits for the different load units which can be combined with the base unit. To install the lock cylinder in the lock housing, see the relevant load unit instructions.

Note!

On certain car models, it may be necessary to saw / cut a section out of the bumper casing so that there is room for the lock.

6

Safety checks before travelling

Caution!

Make sure that all the screws, nuts, and retaining straps are securely tightened before travelling. Check these regularly.

Damaged straps must be replaced with new straps.

The base unit must not be used as a mounting point when towing.

Do not use the base unit when driving off-road.

Note!

If the car's license plate is covered by the base unit and cargo, an additional license plate holder with lighting is available as an accessory. It must then be used.

Caution!

Don't let a load protrude outside the base unit's load unit.

Do not load more on the base unit than that which is specified on the original tow hitch type plate (MAX TONGUE WEIGHT).

Keep in mind that the car's centre of gravity and handling are affected by the load.

The base unit with accompanying cargo system must not be used to transport animals or people.