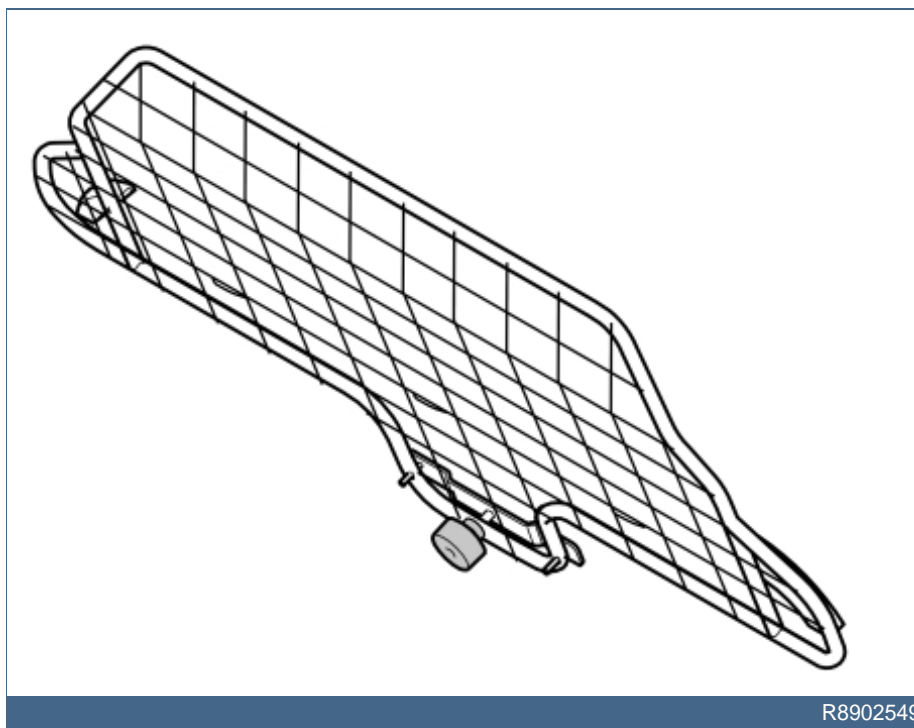




XC90

Section	Group	Weight(Kg/Pounds)	Year	Month
8	88		2002	09

XC90 2003, XC90 2004, XC90 2005, XC90 2006, XC90 2007, XC90 2008



R8902549



Required tools



A0000163

Any comments on this publication? Please contact your nearest dealer. Thank you!

Publication no: MA 8641539, Issue: 2002-09
Comments:.....
From:.....
Address:.....
Telephone no:.....
Telefax:.....



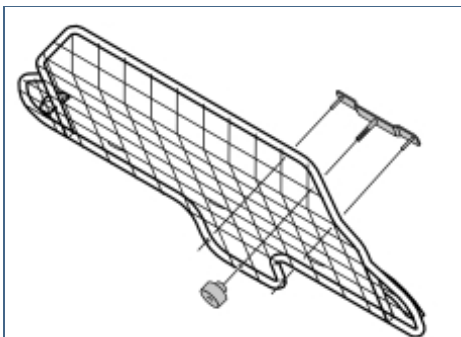
INTRODUCTION

Cargo compartment net

- **NOTE! Read through the entire text before carrying out any work.**
- The front page gives the date of this edition and the edition it replaces
- The second page shows the tools needed for the installation and the contents of the installation kit
- The illustrations display the procedure in order of operation. The order of operation is repeated in the text section
- Cut out the text page in order to follow the illustrations and text at the same time.



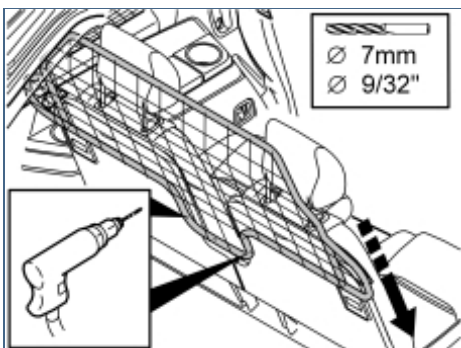
1



R8902550

- Remove the locking device from the cargo compartment net by unscrewing the knob and pulling it off.

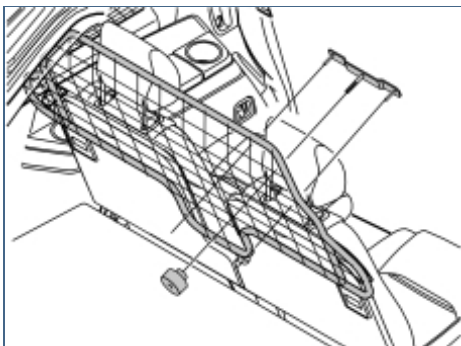
2



R8902516

- Lift in the cargo compartment net through the tailgate. Hang it on the backrest disc as illustrated. Check that the net is horizontal
- Drill out the holes in the backrest disc through the existing holes in the cargo compartment net. Use a 7 mm (9/32") diameter drill bit
- Remove any swarf.

3



R8902551

- Take the striker plate and insert it from the front in the hole where it was disconnected
- Insert the locating pins on the striker plate in the newly drilled holes. Take the knob and tighten the striker plate against the backrest disc.