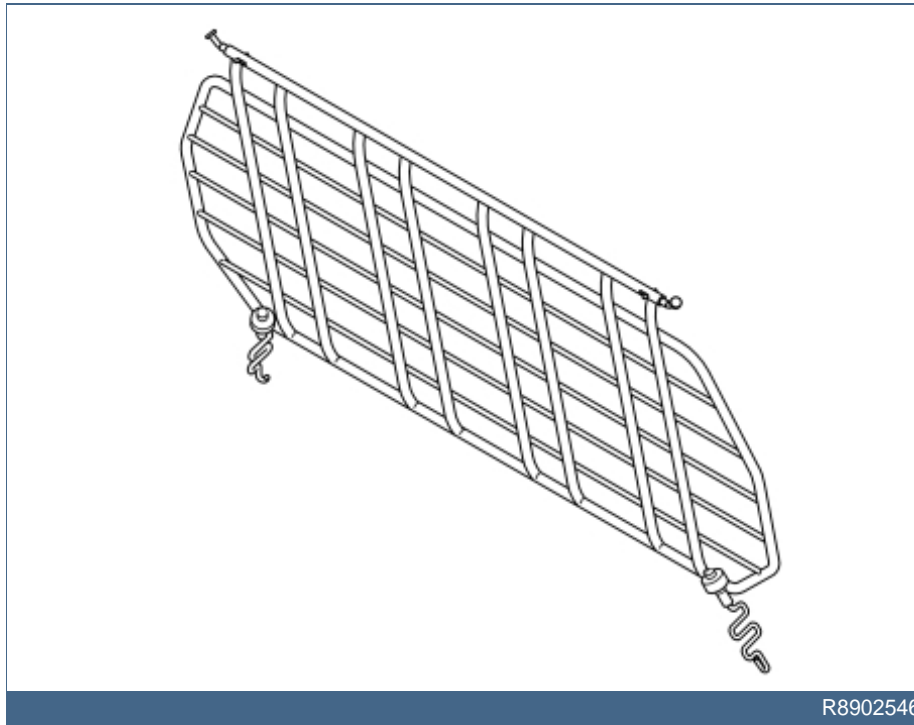


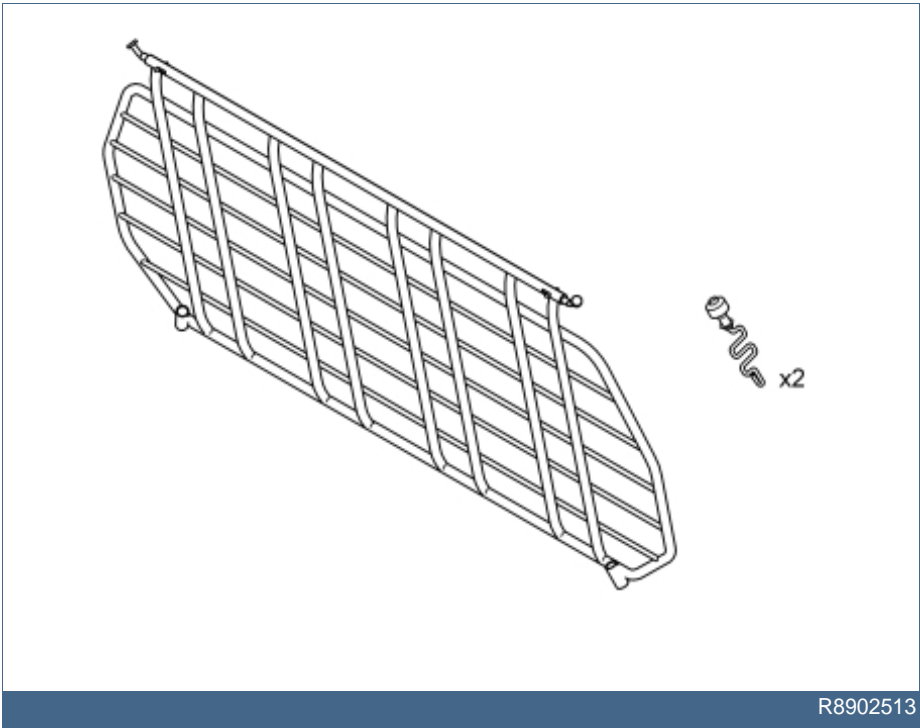
XC90

Section	Group	Weight(Kg/Pounds)	Year	Month
8	88		2002	07

XC90 2003, XC90 2004, XC90 2005, XC90 2006, XC90 2007, XC90 2008

Replaces issue: 2002 04





Any comments on this publication? Please contact your nearest dealer. Thank you!

Publication no: MA 8624493, Issue: 2002-07
Comments:.....
From:.....
Address:.....
Telephone no:.....
Telefax:.....

INTRODUCTION

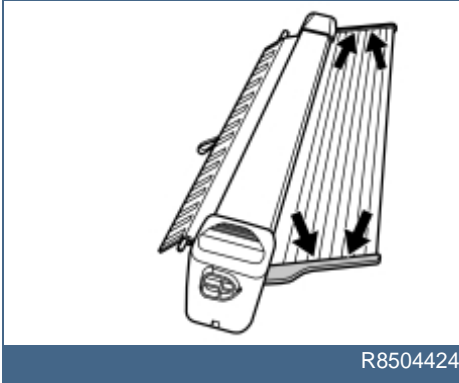
- **NOTE! Read through the entire text before carrying out any work.**
- The front page gives the date of this edition and the edition it replaces
- The second page shows the tools needed for the installation and the contents of the installation kit
- The illustrations display the procedure in order of operation. The order of operation is repeated in the text section
- Cut out the text page in order to follow the illustrations and text at the same time.

Cargo compartment safety grille, steel

Note!

Remove the front of the cargo compartment cover when using together with a cargo compartment safety grille. This will prevent any rattling. See point 1-4.

1



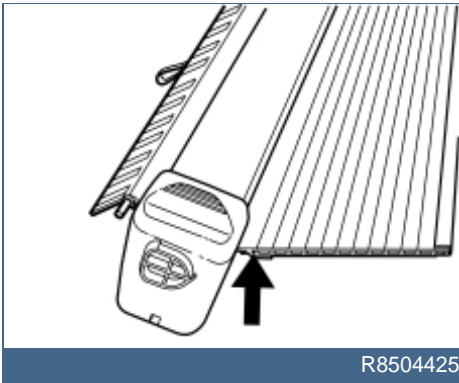
R8504424

Preparations cargo compartment cover

Applies to cars with a cargo compartment cover

- Remove the cargo compartment cover from the car
- Carefully pry out both the rubber edgings on the front short section of the cargo compartment cover. Use a small screwdriver. Remove the rubber edgings
- Remove the steel edging inside the rubber edgings (if they did not come off when the rubber edgings were removed).

2



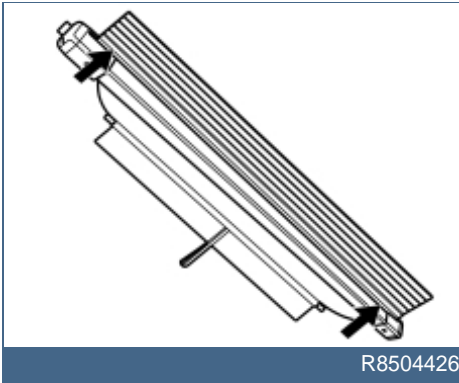
R8504425

Preparations cargo compartment cover

Applies to cars with cargo compartment covers with Allen screws on the sides

- Remove the Allen screws (1.3 mm), or ordinary screws, on one edge of the front of the cargo compartment cover.

3



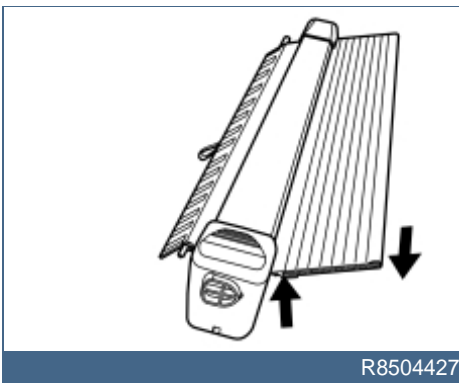
R8504426

Preparations cargo compartment cover

Applies to cars with cargo compartment covers with screws on the underside

- Remove both the screws from the underside of the front of the cargo compartment cover.

4A



R8504427

Preparations cargo compartment cover

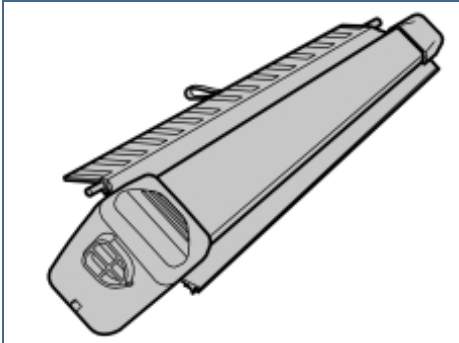
Illustration A

- Pull the front section of the cargo compartment cover from the channel in the rear section and put it to one side.

Illustration B

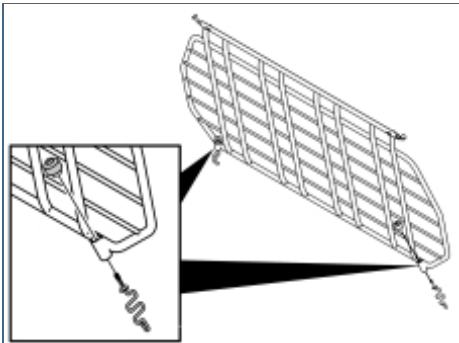
The cargo compartment cover without its front section will be reinstalled in point 7.

4B



R8504428

5

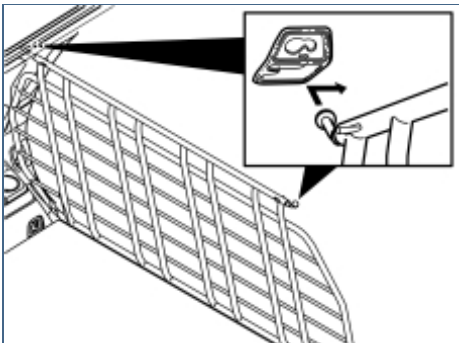


R8902547

Installing the cargo compartment safety grille

- Detach the mounting, knob and cap from each other.

6

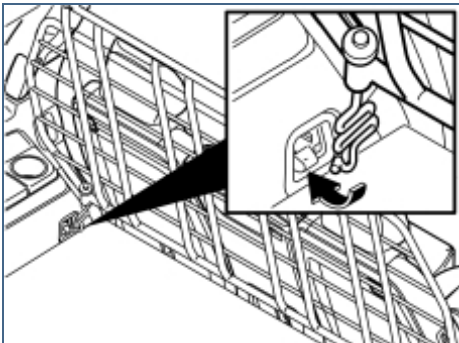


R8902514

Installing the cargo compartment safety grille

- Lift the cargo compartment safety grille in through the tailgate or through one of the rear doors (fold down the second row of seats if using one of the rear doors)
- Insert one mounting for the cargo compartment safety grille into the corresponding mounting above the rear door behind the second row of seats
- Position the cargo compartment safety grille mounting in the front position in the other mounting
- Position the other mounting for the cargo compartment safety grille over the other rear door and move it into the front position.

7



R8902548

Installing the cargo compartment safety grille

- Insert the mounting bracket from underneath through the lower mounting in the cargo compartment safety grille as illustrated. Screw on the knob
- Secure the mounting bracket hook in the load securing eyelet. Tighten the knob until the mounting bracket engages the load securing eyelet
- Repeat the operation on the other side
- Tighten both the mounting brackets alternately
- Install the protective caps on the threads above the knobs

- Reinstall the cargo compartment cover.

Warning!

Applies to cars with three rows of seats: The third row of seats must be folded down when the cargo compartment safety grille is installed. It is prohibited to sit in the cargo compartment behind a cargo compartment safety grille during a journey.
