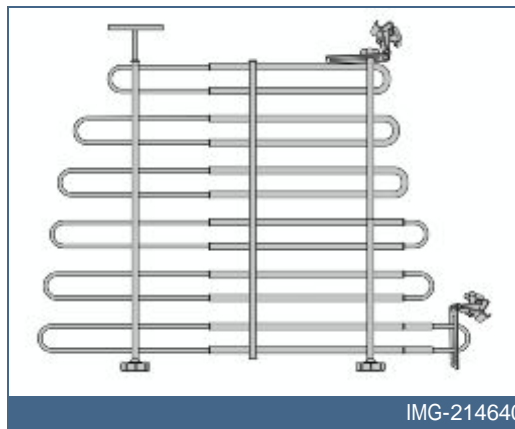




XC90

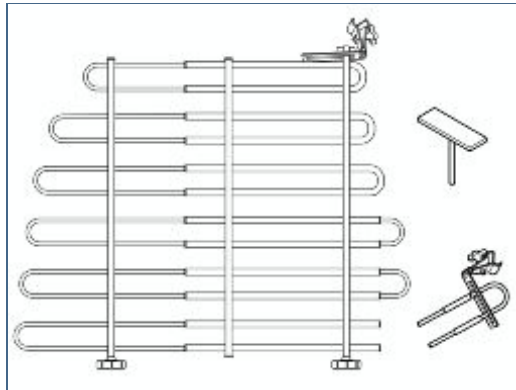
Section	Group	Weight(Kg/Pounds)	Year	Month
8	88	0.5/1.1	2005	01

XC90 2003, XC90 2004, XC90 2005, XC90 2006, XC90 2007, XC90 2008, XC90 2009, XC90 2010





Required tools



IMG-214641

Any comments on this publication? Please contact your nearest retailer. Thank You!

Publ.no:	Issue:	Kit no:
Comments:		

From:	
Address:	
Telephone:	
Telefax:	

IMG-213320



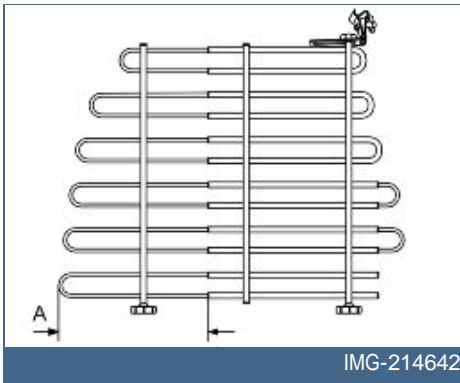
INTRODUCTION

Cargo compartment wall

- **NOTE! Read through the whole installation instruction before starting the work.**
- The front page gives the date of this edition and the edition it replaces
- The second page shows the tools needed for the installation and the contents of the installation kit
- The illustrations display the procedure in order of operation. The order of operation is repeated in the text section
- Cut out the text page in order to follow the illustrations and text at the same time.



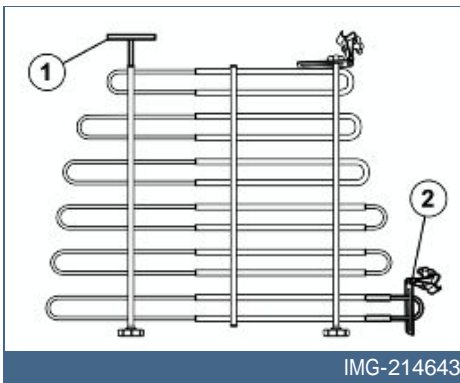
1



IMG-214642

- Before installing check the measurement at point A = 410 mm. Adjust as necessary.

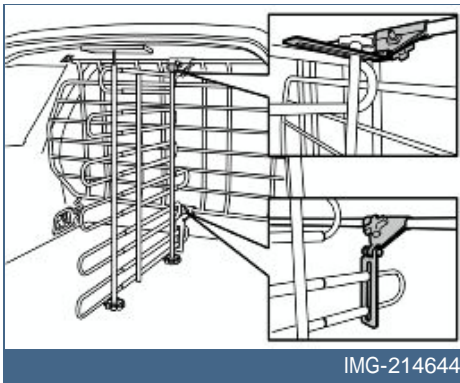
2



IMG-214643

- Screw in the support plate (1).
- Install the lower bracket (2) as illustrated.

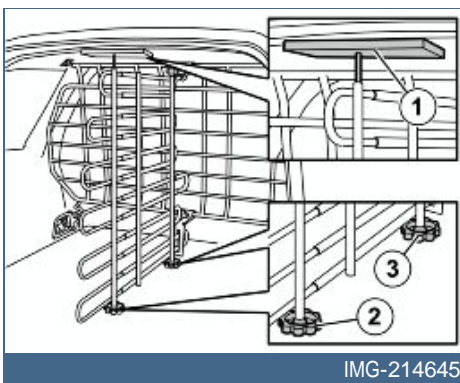
3



IMG-214644

- Position the cargo compartment wall with the clamps into the car.
- Open the upper clamp and affix it loosely on the top bar of the safety grille.
- Open the lower clamp and affix it as illustrated. Tighten the clamps only exactly as much as necessary to grip the grille, do not tighten them yet.

4

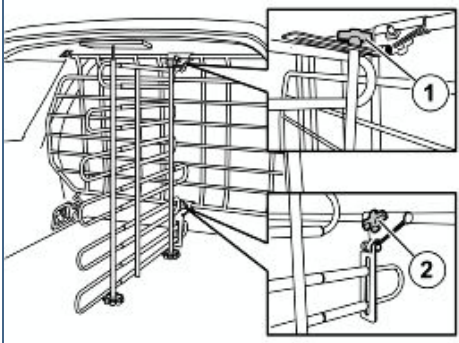


IMG-214645

- Adjust so that the cargo compartment wall is vertical and in the centre of the cargo compartment.
- Screw up the support plate (1) so that it is in contact with the headlining panel. The support plate must be parallel with the roof panel.
- Screw down the rear support foot (2) so that the cargo compartment wall is tensioned.
- Screw down the front support foot (3) so that the cargo compartment wall stands in a straight, vertical position.



5



IMG-214646

- Tighten the knobs (1) and (2).
- Check that the cargo compartment wall does not make contact with the tailgate when it closes.