

Installation instructions, accessories - Plastic mat, 7-seats

Volvo Car Corporation Göteborg, Sweden



XC90

Section	Group	Weight(Kg/Pounds)	Year	Month
8	85		2001	05

Installation instructions, accessories - Plastic mat, 7-seats

Volvo Car Corporation Göteborg, Sweden



Required tools



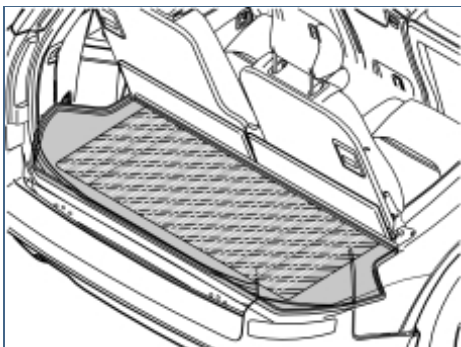
INTRODUCTION

Plastic mat, 7-seats

- **NOTE! Read through the entire text before carrying out any work.**
- The front page gives the date of this edition and the edition it replaces
- The second page shows the tools needed for the installation and the contents of the installation kit
- The illustrations display the procedure in order of operation. The order of operation is repeated in the text section
- Cut out the text page in order to follow the illustrations and text at the same time.



1

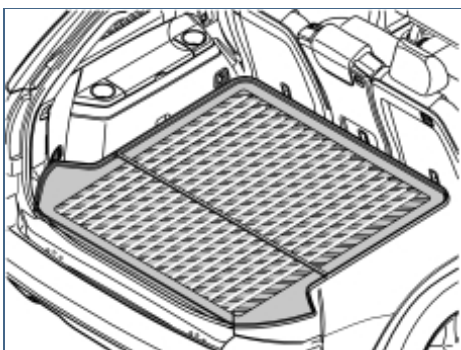


R8902503

Positioning the plastic mat in the rear section of the cargo compartment (3rd row of seats folded up)

- Position the rear section of the plastic mat as illustrated.

2A

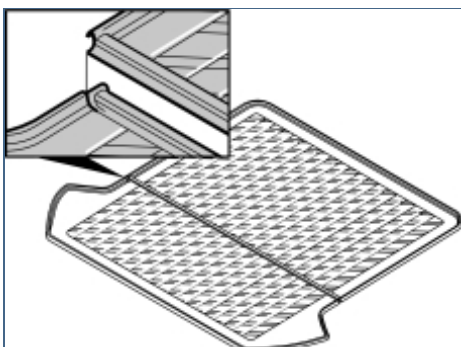


R8902504

Positioning both plastic mats in the cargo compartment (3rd row of seats folded down)

- Fold down the 3rd row of seats
- First position the rear section of the plastic mat. Then slide in the front section of the plastic mat (rounded corner first) and join together with the rear section as illustrated.

2B



R8902502