

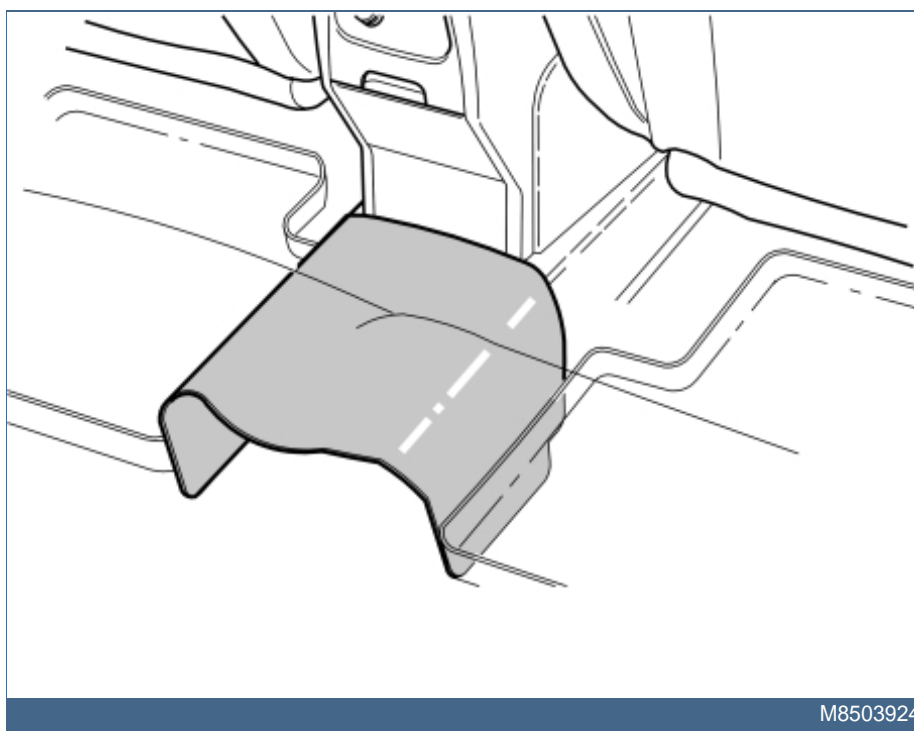


## S80 (-06) / V70 XC (01-) / XC70 (-07) / S60 / V70 (00-08) / XC90

Section	Group	Weight (Kg/Pounds)	Year	Month
8	88		2004	02

S60 2001, S60 2002, S60 2003, S60 2004, S60 2005, S60 2006, S60 2007, S60 2008, S80 (-06) 1999, S80 (-06) 2000, S80 (-06) 2001, S80 (-06) 2002, S80 (-06) 2003, S80 (-06) 2004, S80 (-06) 2005, S80 (-06) 2006, V70 (00-08) 2000, V70 (00-08) 2001, V70 (00-08) 2002, V70 (00-08) 2003, V70 (00-08) 2004, V70 (00-08) 2005, V70 (00-08) 2006, V70 (00-08) 2007, V70 (00-08) 2008, V70 XC (01-) / XC70 (-07) 2001, V70 XC (01-) / XC70 (-07) 2002, V70 XC (01-) / XC70 (-07) 2003, V70 XC (01-) / XC70 (-07) 2004, V70 XC (01-) / XC70 (-07) 2005, V70 XC (01-) / XC70 (-07) 2006, V70 XC (01-) / XC70 (-07) 2007, XC90 2003, XC90 2004, XC90 2005, XC90 2006, XC90 2007, XC90 2008

Replaces  
issue:  
2002 06



M8503924



## Required tools

Any comments on this publication? Please contact your nearest dealer. Thank you!

Publication no: MA 8670918, Issue: 2004-02
Comments:..... ..... ..... ..... ..... ..... .....
From:.....
Address:.....
Telephone no:.....
Telefax:.....



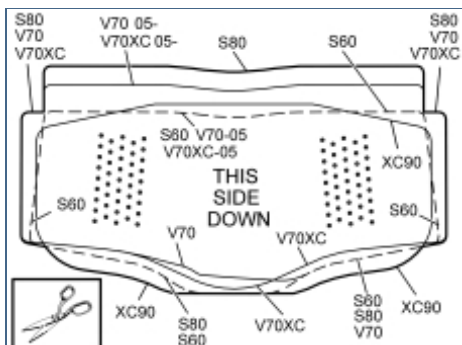
## INTRODUCTION

## Tunnel carpet

- **NOTE! Read through the entire text before carrying out any work.**
- The front page gives the date of this edition and the edition it replaces
- The second page shows the tools needed for the installation and the contents of the installation kit
- The illustrations display the procedure in order of operation. The order of operation is repeated in the text section
- Cut out the text page in order to follow the illustrations and text at the same time.



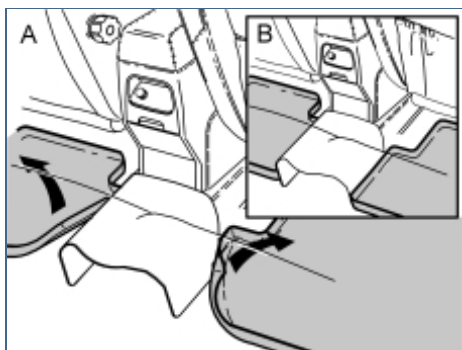
1



R8505026

- Cut the underneath of the tunnel carpet at the perforations for the relevant model. Cut so that the model designation of the car remains along the outer edges of the tunnel carpet.

2



M8503925

- Position the tunnel carpet on the transmission tunnel in the rear seat compartment so that an equal amount of the tunnel carpet is positioned on each side of the tunnel
- Fold the short sides of the floor carpet upwards nearest the tunnel. Position the tunnel carpet underneath the floor carpets
- Fold back the floor carpets.