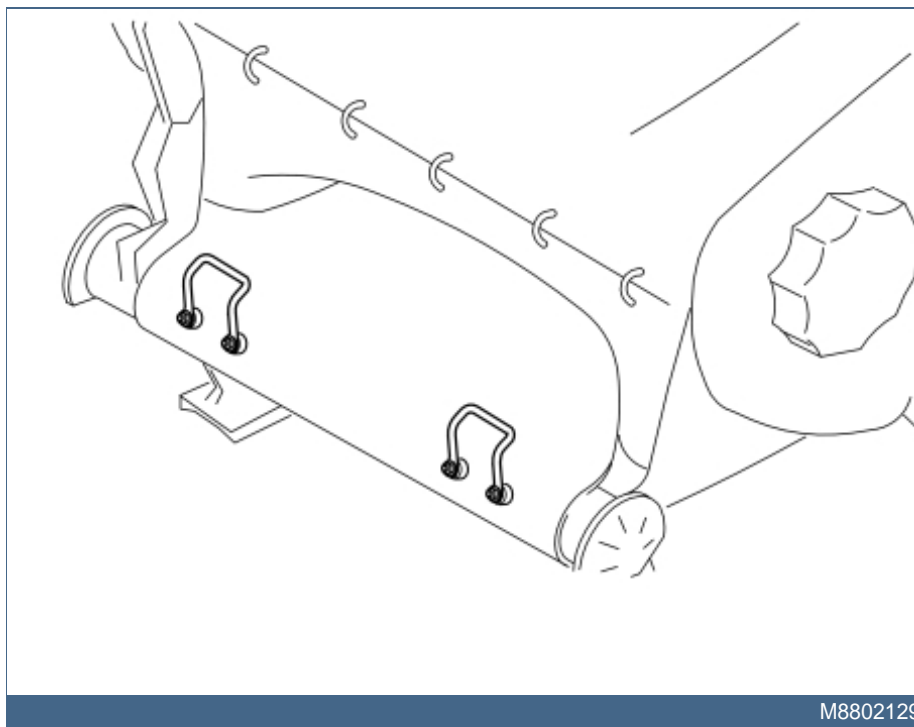




S40 (-04) / V40 / S80 (-06) / V70 XC (01-) / XC70 (-07) / S60 / V70 (00-08) / XC90

Section	Group	Weight (Kg/Pounds)	Year	Month
8	857	0.5/1.1	2007	02

S40 (-04) 2001, S40 (-04) 2002, S40 (-04) 2003, S40 (-04) 2004, S60 2001, S60 2002, S60 2003, S60 2004, S80 (-06) 1999, S80 (-06) 2000, S80 (-06) 2001, S80 (-06) 2002, S80 (-06) 2003, S80 (-06) 2004, V40 2001, V40 2002, V40 2003, V40 2004, V70 (00-08) 2000, V70 (00-08) 2001, V70 (00-08) 2002, V70 (00-08) 2003, V70 (00-08) 2004, V70 XC (01-) / XC70 (-07) 2001, V70 XC (01-) / XC70 (-07) 2002, V70 XC (01-) / XC70 (-07) 2003, V70 XC (01-) / XC70 (-07) 2004, XC90 2003, XC90 2004



Installation instructions, accessories - Child seat, ISOFIX mounting

Volvo Car Corporation Göteborg, Sweden



Required tools

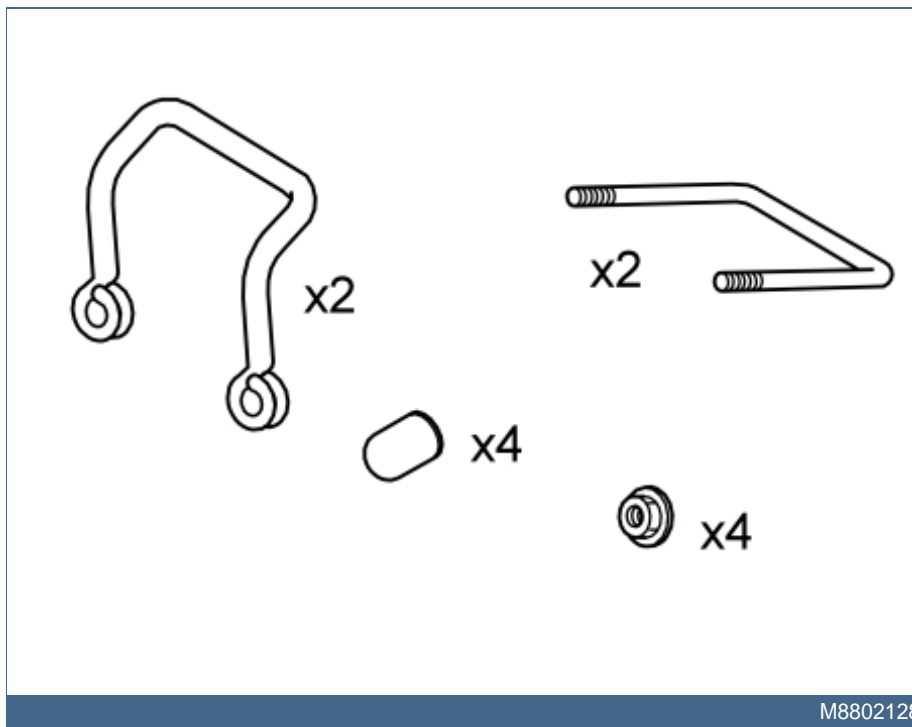


A0000162



Nm
lbf.ft

A0000161



Any comments on this publication? Please contact your nearest retailer. Thank You!

Publ.no:	Issue:	Kit no:
Comments:.....		
.....		
.....		
.....		

From:	
Address:	
Telephone:	
Telefax:	

IMG-213320





INTRODUCTION

Child seat, ISOFIX mounting

- **NOTE! Read through the entire text before carrying out any work.**
- The front page gives the date of this edition and the edition it replaces
- The second page shows the tools needed for the installation and the contents of the installation kit
- The illustrations display the procedure in order of operation. The order of operation is repeated in the text section
- Cut out the text page in order to follow the illustrations and text at the same time.



1



M8802125

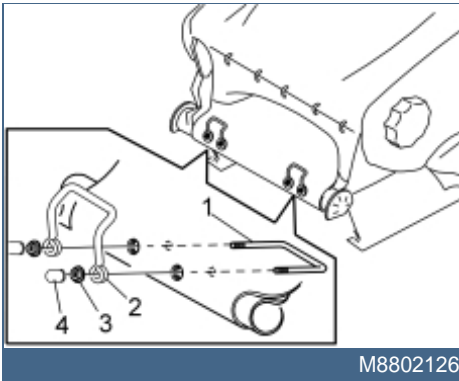
For cars with power seats

- Adjust the front seat to its lowest position, both at the front and rear edge, to facilitate the installation of Isofix.

Applies to all cars

- Fold the backrest forward.

2



M8802126

- Push the upholstery and padding at the side of the SIPS tube to one side.
- Insert the U bracket (1) through the SIPS tube from underneath. The U bracket studs must protrude outwards towards the upholstery on top of the SIPS tube.
- Make a cut in the upholstery for the studs. Use a knife.

Note!

Take care not to damage the heated seat cushion.

- Insert the U bracket.
- Thread the anchor mounting (2) onto the U bracket. Ensure that the anchor mounting lies against the SIPS tube.
- Install and tighten the nuts (3). When tightening the nuts, take care to tighten them alternately to prevent distortion of the mountings. Also take care to conceal any upholstery and foam that may come between the anchor mounting and SIPS tube. These must lie opposite each other after tightening. Tighten to **7 Nm (5.3 lbf.ft.)**.
- Install the rubber caps (4) from the kit, on the protruding studs.

3

- Fold the backrest back into place.