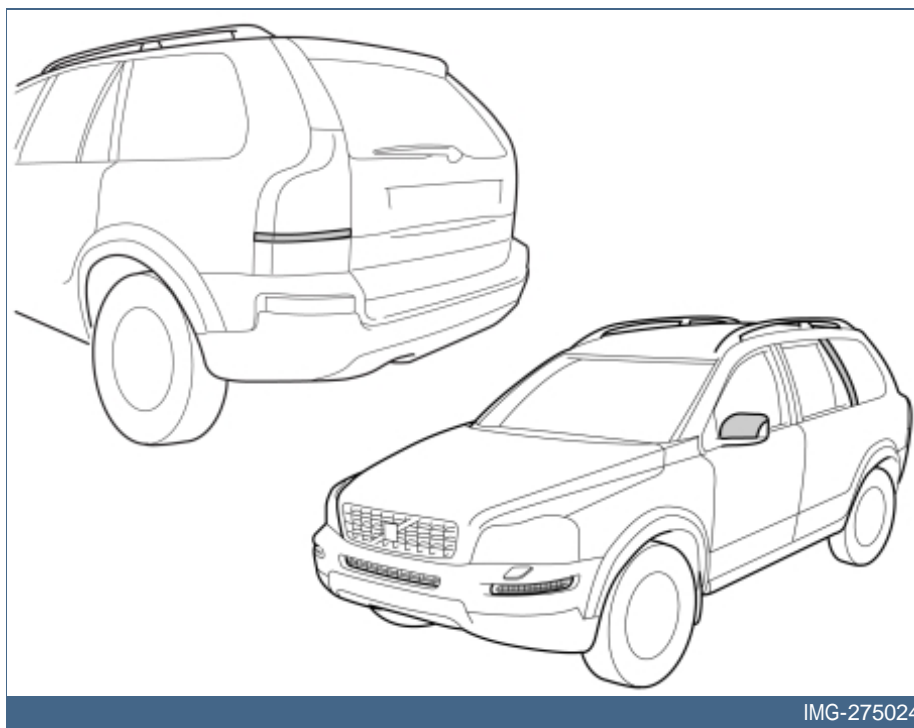




XC90

Section	Group	Weight(Kg/Pounds)	Year	Month
8	841	1.1 (2.4)	2007	06



Installation instructions, accessories - Decor panel, exterior

Volvo Car Corporation Göteborg, Sweden



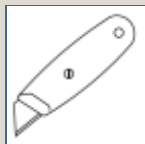
Required tools



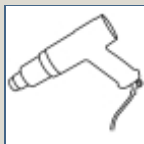
A0000162



IMG-239446



IMG-239980



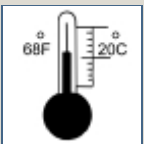
IMG-239663



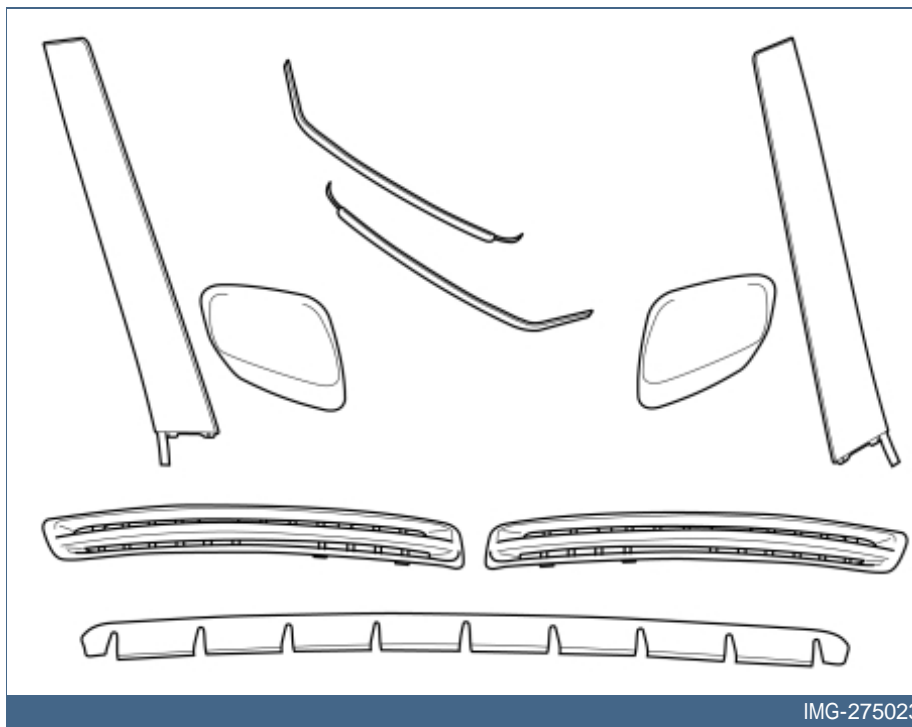
A0000177



A0000214



M0000232



IMG-275023

Any comments on this publication? Please contact your nearest retailer. Thank You!

Publ.no:	Issue:	Kit no:
Comments:.....		
.....		
.....		
.....		

From:	
Address:	
Telephone:	
Telefax:	

IMG-213320





INTRODUCTION

- **NOTE! Read through the entire text before carrying out any work.**
- The front page gives the date of this edition and the edition it replaces
- The second page shows the tools needed for the installation and the contents of the installation kit
- The illustrations display the procedure in order of operation. The order of operation is repeated in the text section
- Cut out the text page in order to follow the illustrations and text at the same time.

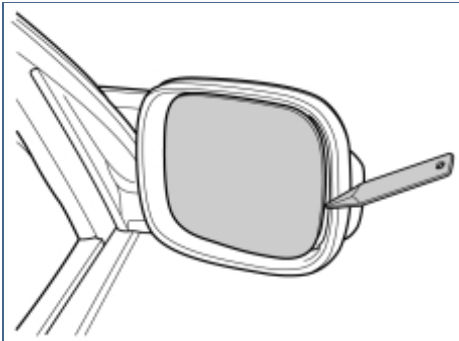
Decor panel, exterior

Note!

Do not do the work at a temperature below 20°C (68°F).



1

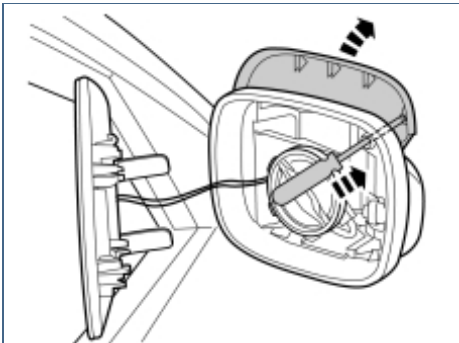


IMG-261648

Installing the decor panel Door mirrors

- Carefully prise loose the mirror glass using a weatherstrip tool.

2



IMG-261649

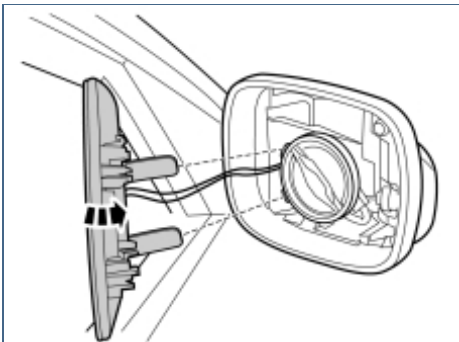
Installing the decor panel

- Carefully pry out the mirror cover using a small screwdriver.

Note!

Do not damage the wiring for the mirror glass or the damper blade.

3



IMG-261650

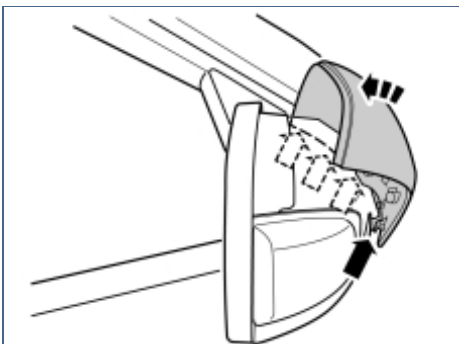
Installing the decor panel

- Reinstall the mirror glass.

Note!

Ensure that the damper blade fits in its cradle.

4



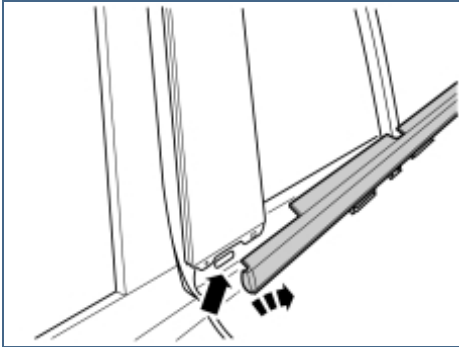
IMG-261651

Installing the decor panel

- Install the new cover.
- Repeat the steps for the other mirror.



5



IMG-261652

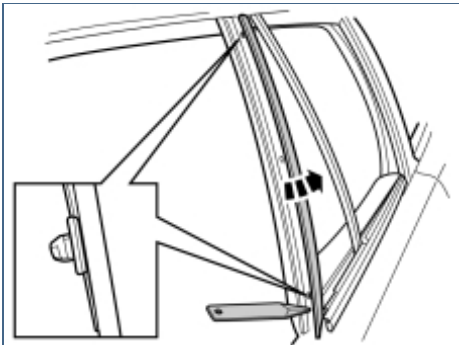
Rear side window

- Lift up the rear end of the weatherstrip on the rear doors so that the hooks release. Lift it up further and turn it out from the window.

Note!

Take care not to bend the metal strip.

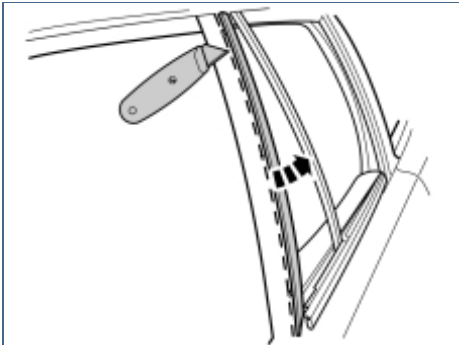
6



IMG-261653

- Carefully pry off the panel at the rear edge using a weatherstrip tool until the two clips at the top and bottom release.

7



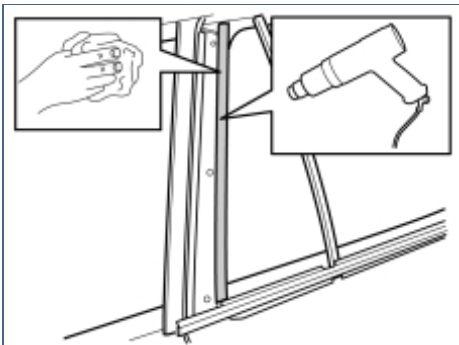
IMG-261654

- Turn the panel out at the rear edge so that the tape at the front edge can be cut off.
- Now carefully cut off the panel's front edge from the tape from the top and down.

Note!

Place the piece against the panel to prevent cutting through the paint.

8



IMG-261655

- Remove the remaining pieces of tape. Use a hot air gun to soften the tape.

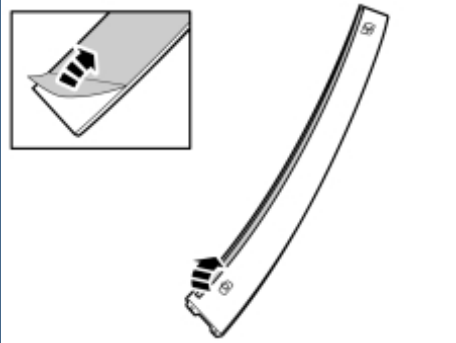
Note!

Do not damage the rubber strip when using the hot air gun.

- Clean the marked surface using isopropanol and wipe dry.



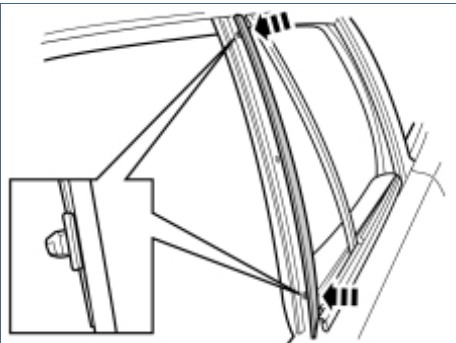
9



IMG-261656

- Remove the protective tape from the decor panel.

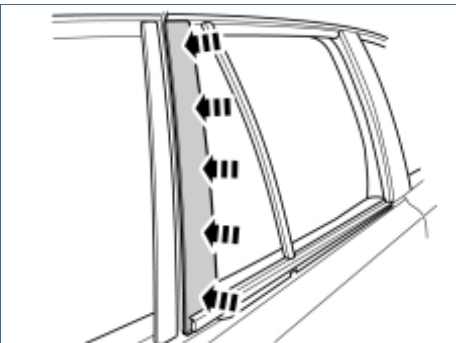
10



IMG-261657

- Position the panel clips in the holes in the door arch and press into place.

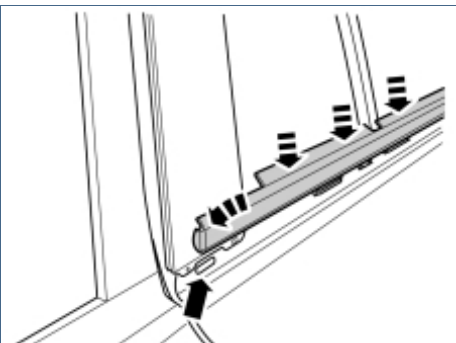
11



IMG-261658

- Press the decor strip firmly onto the clips and tape.

12

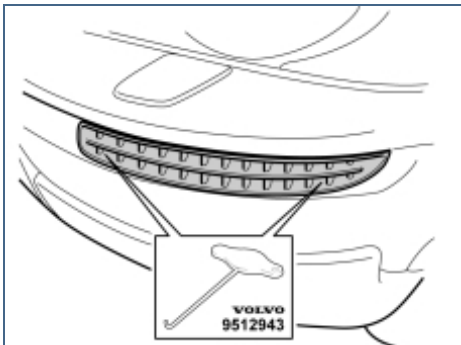


IMG-261659

- Press the weatherstrip into place. Ensure that the hook at the rear edge engages in the hole in the door arch.
- Repeat the steps for the other side window.



13

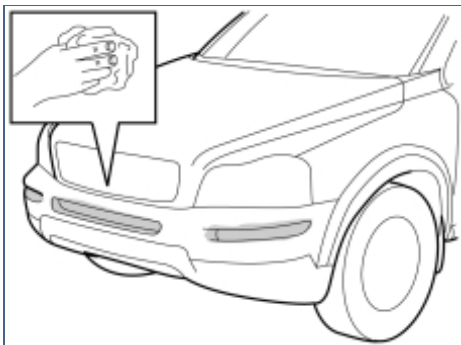


IMG-275028

Bumper cover

- Remove the bumper cover grille on both sides by carefully pulling them off using tool **part no. 9512943**.

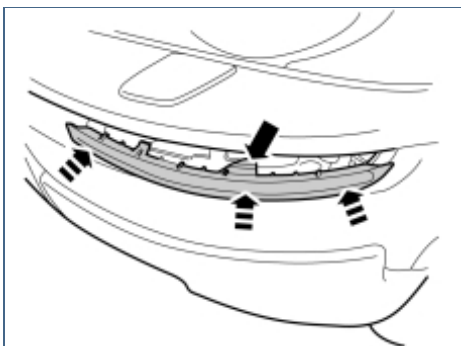
14



IMG-275029

- Clean the bumper cover where the decor moldings are to be secured.

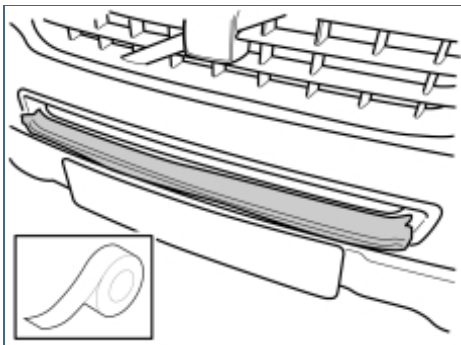
15



IMG-275030

- Align the decor panel in the cut-out and press it into place. Ensure that all hooks engage.
- Repeat the operation on the other side.

16

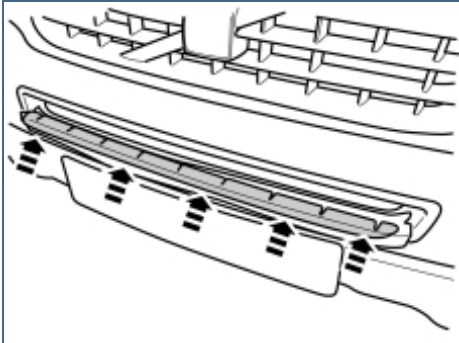


IMG-275031

- Apply a piece of tape as protection along the lower edge of the central grille.



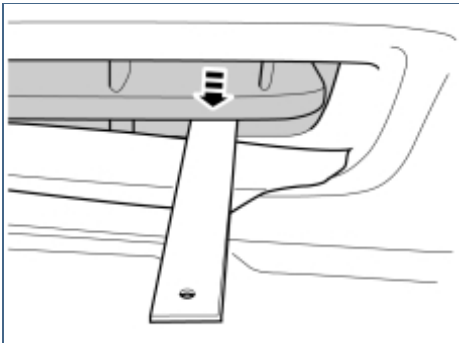
17



IMG-275032

- Take a long decor molding from the kit. Place the upper side of the long horizontal plate in the grille and secure it.

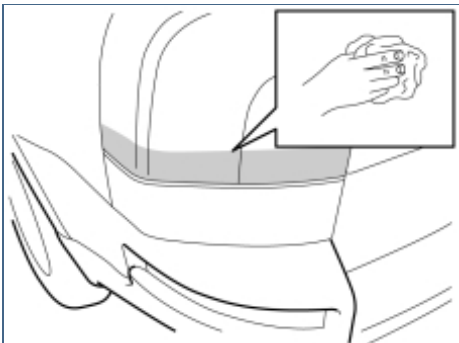
18



IMG-275033

- Hold the lower side of the plate using a weatherstrip tool and at the same time press the upper side of the decor molding until the catches engage the plate. A click should be clearly heard.
- Repeat this along the entire decor molding.
- Remove the tape strip.

19

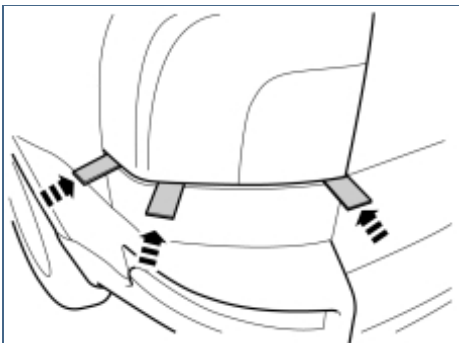


IMG-275037

Tail lamp

- Clean the lower edge of the tail lamp using isopropanol. Wipe dry.

20

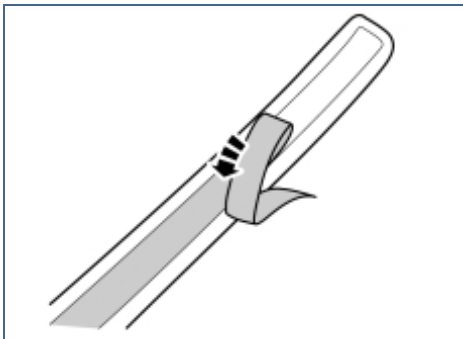


IMG-275040

- Cut off a few pieces of cardboard and insert them between the lower edge of the tail lamp and the panel.



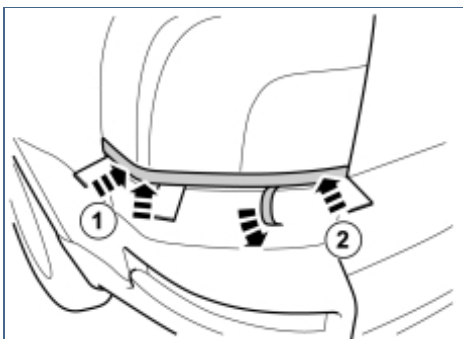
21



IMG-275041

- Take one of the decor moldings for the tail lamp from the kit. Remove a small piece of protective tape from the longer part of the molding.

22A

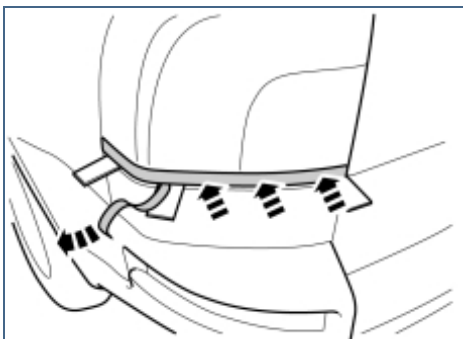


IMG-275042

Illustration A

- Position the molding against the tail lamp and the cardboard pieces so that the angled corner of the molding aligns with the corner of the tail lamp (1).
- Press the molding against the tail lamp where the tape was removed (2).

22B



IMG-275043

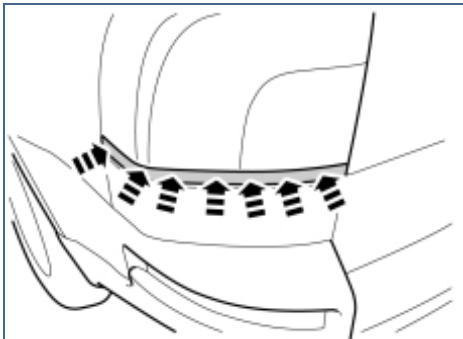
Illustration B

- Hold the molding in position against the cardboard pieces and then pull off the protective tape at the same time as pressing the molding down.

Continue until the entire molding has been secured in place.

- Remove the cardboard pieces.

23



IMG-275044

- Now secure the molding properly on the tail lamp along its entire length.
- Repeat the steps for the other tail lamp.