



S60 / V70 (00-08) / S80 (-06) / V70 XC (01-) / XC70 (-07) / XC90

Section	Group	Weight (Kg/Pounds)	Year	Month
2	254	N/A	2006	07

S60 2001 D5244T, S60 2001 D5244T, S60 2002 D5244T, S60 2002 D5244T, S60 2002 D5244T2, S60 2002 D5244T2, S60 2003 D5244T, S60 2003 D5244T, S60 2003 D5244T2, S60 2003 D5244T2, S60 2004 D5244T, S60 2004 D5244T, S60 2004 D5244T2, S60 2004 D5244T2, S60 2004 D5244T3, S60 2004 D5244T3, S60 2005 D5244T, S60 2005 D5244T, S60 2005 D5244T2, S60 2005 D5244T2, S60 2005 D5244T3, S60 2005 D5244T3, S60 2006 D5244T, S60 2006 D5244T, S60 2006 D5244T2, S60 2006 D5244T2, S80 (-06) 2001 D5244T, S80 (-06) 2001 D5244T, S80 (-06) 2002 D5244T, S80 (-06) 2002 D5244T, S80 (-06) 2002 D5244T2, S80 (-06) 2002 D5244T2, S80 (-06) 2003 D5244T, S80 (-06) 2003 D5244T, S80 (-06) 2003 D5244T2, S80 (-06) 2003 D5244T2, S80 (-06) 2004 D5244T, S80 (-06) 2004 D5244T, S80 (-06) 2004 D5244T2, S80 (-06) 2004 D5244T2, S80 (-06) 2005 D5244T, S80 (-06) 2005 D5244T, S80 (-06) 2005 D5244T2, S80 (-06) 2005 D5244T2, S80 (-06) 2006 D5244T, S80 (-06) 2006 D5244T, S80 (-06) 2006 D5244T2, S80 (-06) 2006 D5244T2, V70 (00-08) 2001 D5244T, V70 (00-08) 2001 D5244T, V70 (00-08) 2002 D5244T, V70 (00-08) 2002 D5244T, V70 (00-08) 2002 D5244T2, V70 (00-08) 2002 D5244T2, V70 (00-08) 2003 D5244T, V70 (00-08) 2003 D5244T, V70 (00-08) 2003 D5244T2, V70 (00-08) 2003 D5244T2, V70 (00-08) 2004 D5244T, V70 (00-08) 2004 D5244T, V70 (00-08) 2004 D5244T2, V70 (00-08) 2004 D5244T2, V70 (00-08) 2004 D5244T3, V70 (00-08) 2004 D5244T3, V70 (00-08) 2005 D5244T, V70 (00-08) 2005 D5244T, V70 (00-08) 2005 D5244T2, V70 (00-08) 2005 D5244T2, V70 (00-08) 2005 D5244T3, V70 (00-08) 2005 D5244T3, V70 (00-08) 2006 D5244T, V70 (00-08) 2006 D5244T, V70 (00-08) 2006 D5244T2, V70 (00-08) 2006 D5244T2, V70 XC (01-) / XC70 (-07) 2003 D5244T, V70 XC (01-) / XC70 (-07) 2003 D5244T, V70 XC (01-) / XC70 (-07) 2004 D5244T, V70 XC (01-) / XC70 (-07) 2004 D5244T, V70 XC (01-) / XC70 (-07) 2005 D5244T, V70 XC (01-) / XC70 (-07) 2005 D5244T, V70 XC (01-) / XC70 (-07) 2006 D5244T, V70 XC (01-) / XC70 (-07) 2006 D5244T, XC90 2003 D5244T, XC90 2003 D5244T, XC90 2004 D5244T, XC90 2004 D5244T, XC90 2005 D5244T, XC90 2005 D5244T, XC90 2006 D5244T, XC90 2006 D5244T



Required tools



A0000162



A0000381

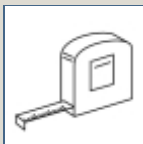


Nm
lbf.ft

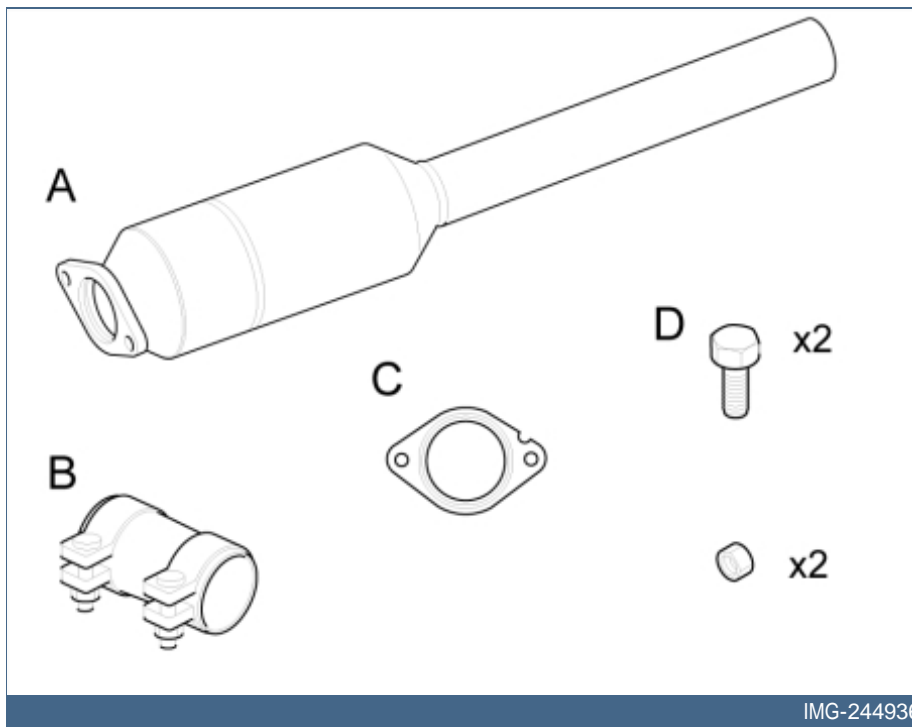
A0000161



IMG-244944



IMG-244945



IMG-244936

Any comments on this publication? Please contact your nearest retailer. Thank You!

Publ.no:	Issue:	Kit no:
Comments:.....		
.....		
.....		
.....		

From:	
Address:	
Telephone:	
Telefax:	

IMG-213320





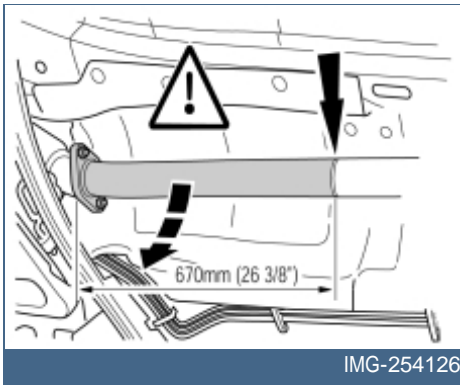
INTRODUCTION

Diesel particle filter, D5244T-T3

- **NOTE! Read through the entire text before carrying out any work.**
- The front page gives the date of this edition and the edition it replaces
- The second page shows the tools needed for the installation and the contents of the installation kit
- The illustrations display the procedure in order of operation. The order of operation is repeated in the text section
- Cut out the text page in order to follow the illustrations and text at the same time.



1

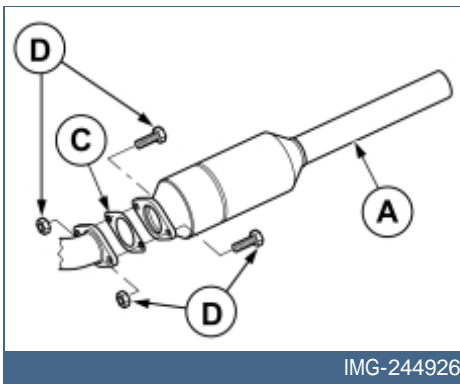


- Measure **670 mm (26 3/8")** from front edge flange on the exhaust pipe. Cut off the exhaust pipe at the marking with a pipe cutter.

Use pipe cutter 1158590.

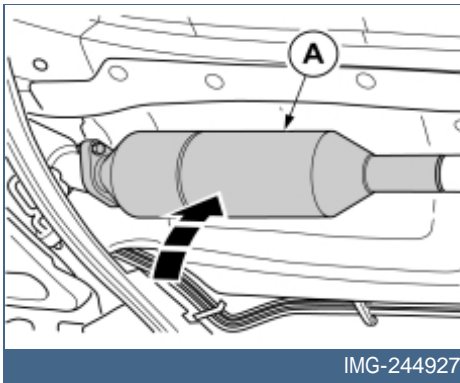
- Loosen the joint between the exhaust pipe and catalytic converter, and remove the marked part of the exhaust pipe.

2



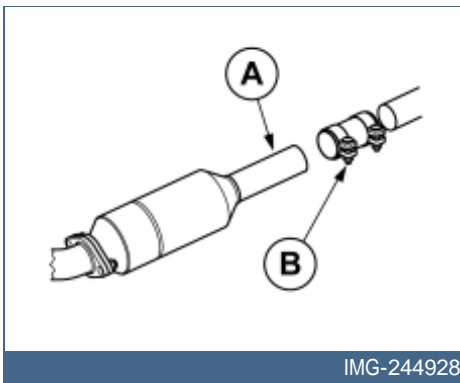
- The diesel particle filter (A) shall be installed with a new gasket (C) and screw and nut (D) from the kit.

3



- Install the diesel particle filter. Tightening torque **50 Nm (37 lbf.ft.)**.

4



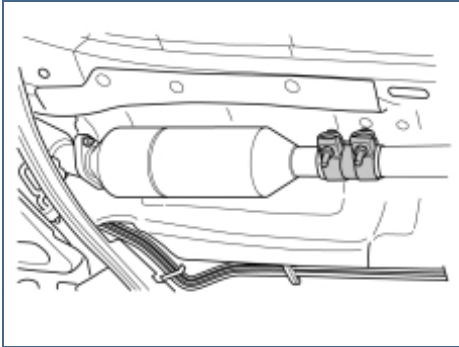
- Install the junction sleeve (B) between the diesel particle filter (A) and exhaust pipe.

Caution!

Place the clamp on the middle of the joint.



5



IMG-244929

- Install the nuts on the junction sleeve. Tightening torque **45 Nm (33.2 lbf.ft.)**.