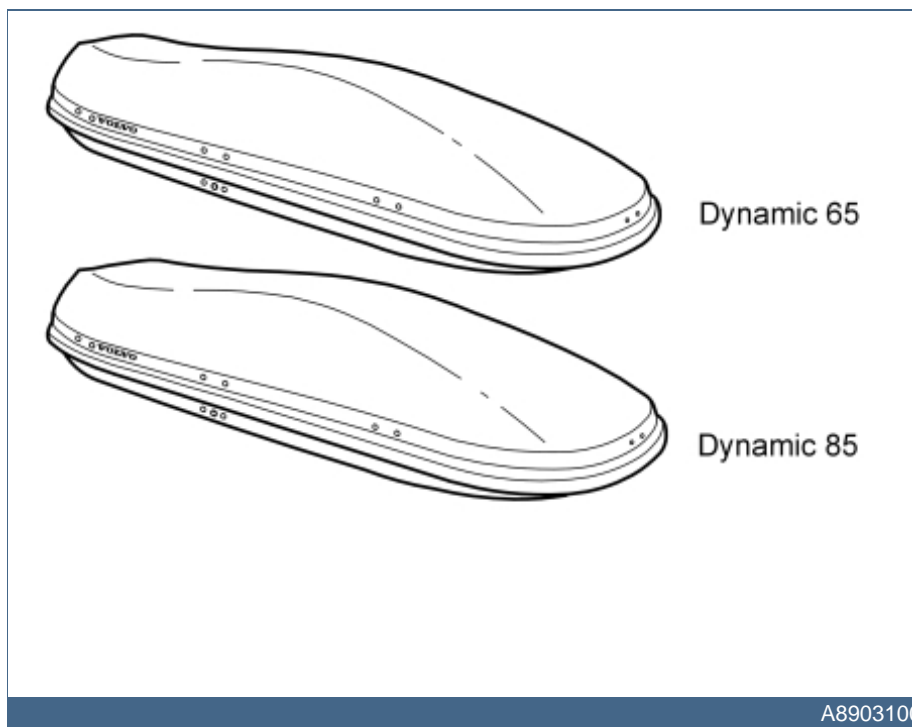




S80 (-06) / V70 XC (01-) / XC70 (-07) / S60 / V70 (00-08) / XC90 / S40 (04-) / V50	Section	Group	Weight (Kg/Pounds)	Year	Month
	8	89		2003	08

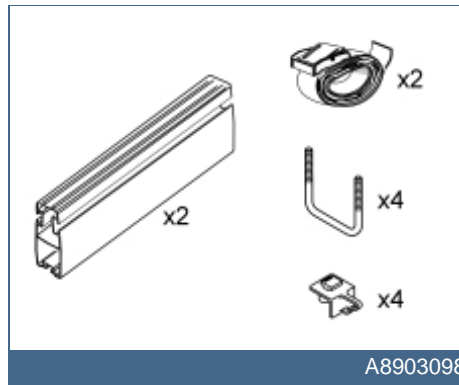
S40 (04-) 2004, S60 2001, S60 2002, S60 2003, S60 2004, S80 (-06) 1999, S80 (-06) 2000, S80 (-06) 2001, S80 (-06) 2002, S80 (-06) 2003, S80 (-06) 2004, V50 2004, V70 (00-08) 2000, V70 (00-08) 2001, V70 (00-08) 2002, V70 (00-08) 2003, V70 (00-08) 2004, V70 XC (01-) / XC70 (-07) 2001, V70 XC (01-) / XC70 (-07) 2002, V70 XC (01-) / XC70 (-07) 2003, V70 XC (01-) / XC70 (-07) 2004, XC90 2003, XC90 2004

Replaces issue: 2002 07





Required tools



Any comments on this publication? Please contact your nearest dealer. Thank you!

Publication no: MA 8698133, Issue: 2003-08
Comments:.....
From:.....
Address:.....
Telephone no:.....
Telefax:.....



INTRODUCTION

- **NOTE! Read through the entire text before carrying out any work.**
- The front page gives the date of this edition and the edition it replaces
- The second page shows the tools needed for the installation and the contents of the installation kit
- The illustrations display the procedure in order of operation. The order of operation is repeated in the text section
- Cut out the text page in order to follow the illustrations and text at the same time.

Dynamic Space Box 65/85

Note!

This space box is not suitable for the V40 with rails.

Note!

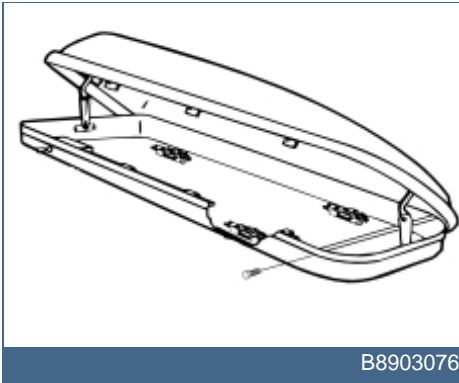
The space box may only be opened on one side at a time.

Note!

Regularly check that the load carriers are secured properly on the roof and that the space box is tightly secured on the load carriers. Be aware of the changed height and driving characteristics of the car with load carriers and box. Check that the box is properly locked and the key removed before travelling. The load must not exceed 75 kg and must always be secured. The total roof load capacity of the car must not be exceeded. See the owner's handbook. Highest permitted load = load carrier weight + box weight + load weight. For safety reasons the car should not be driven at top speed (maximum 130 km/h). Speeds should be adjusted to the load being carried and of course to legal speed limits. Note that there may be wind noise when the space box is installed. These installation instructions should be stored with the car handbook. Damage to the car and surroundings may occur if the instructions are not followed.



1

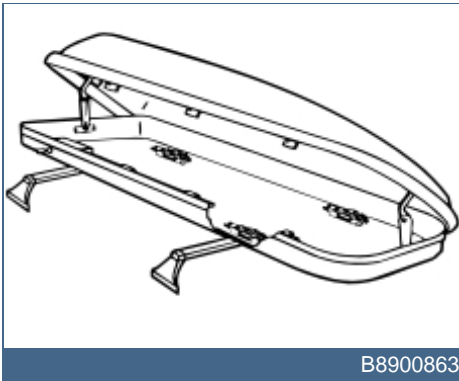


Preparations

Applies to the Dynamic 85 space box

- Unlock and open the space box on one side. Ensure that the other side is locked
- Remove the transportation support at the front edge of the space box by slackening off one screw at the side and then pulling the support off. Ensure that the reinforcement rod which is secured with the same screw is secure
- Close the space box.

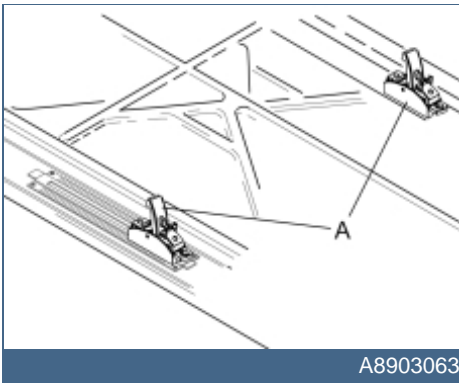
2



Installing the space box

- Place the space box on the load carriers parallel to the car. Ensure that the box and load carriers do not prevent the tailgate from opening fully
- Open the space box on one side. Ensure that the other side is locked.

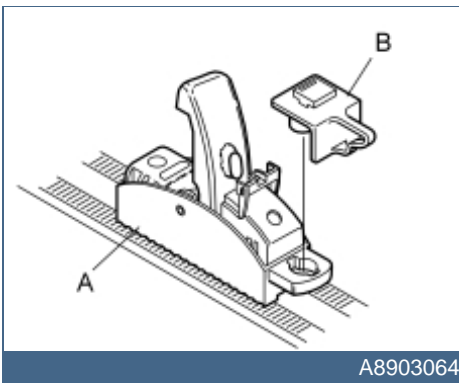
3



Installing the space box

- If the quick-release mountings (A) are loose: turn them in the same direction and secure them in the bottom of the space box. The quick-release mountings must be turned in the same direction before the ski holders can be installed.

4

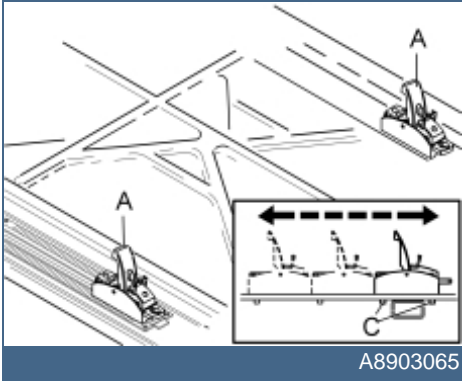


Installing the space box

- Take the clips (B) from the kit and press them into place in the quick-release mountings (A).



5

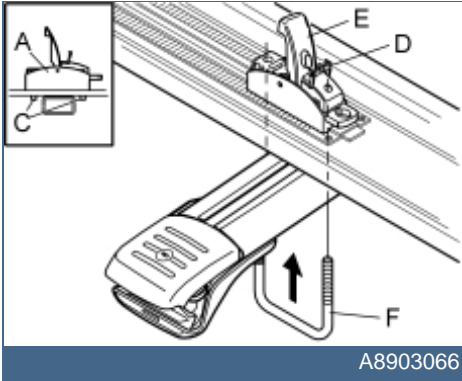


A8903065

Installing the space box

- Move the four quick-release mountings (A) in the bottom of the space box so that the two lugs (C) on each quick release mounting are on each side of the load carrier tubes
- Check that the box is centred on the roof and does not hit the tailgate when opened.

6



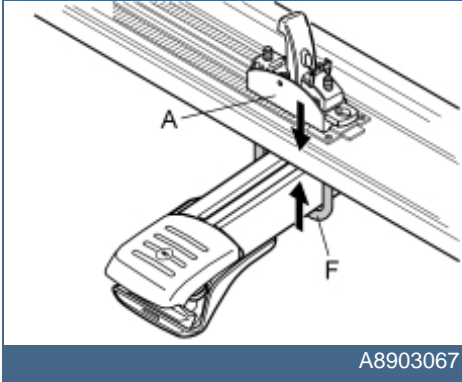
A8903066

Installing the space box

Points 6-8 apply to all the quick-release mountings

- Fold up the red safety catches (D)
- Fold the lock handle (E) to the vertical position
- Insert a U bracket (F) upwards through the lugs (C) on the quick-release mounting (A).

7

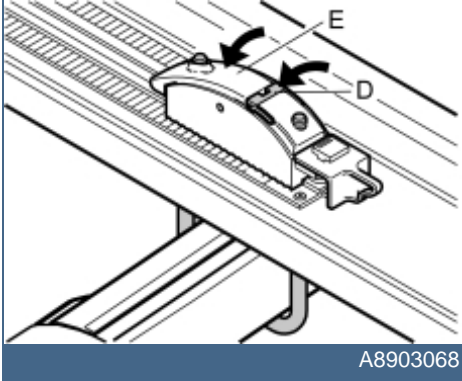


A8903067

Installing the space box

- Press the quick-release mounting (A) downwards towards the bottom of the space box. At the same time press the U bracket (F) upwards until it is against the underneath of the load carrier.

8



A8903068

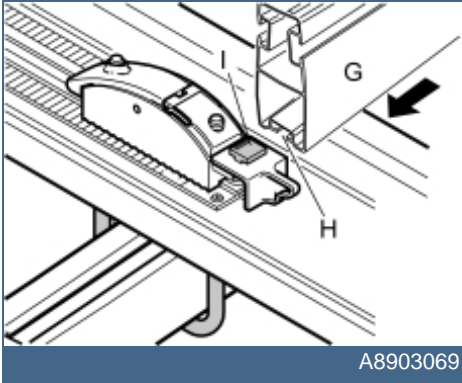
Installing the space box

- Fold the lock handle (E) down to the horizontal position. This requires a force of approximately 50 N. There should be considerable resistance. If this is not the case the U-bracket installation must be repeated
- Fold the safety catch (D) over the lock handle until it snaps into place. If this cannot be done, check that the lock handle has snapped shut in the final position.

Note!
Regularly check that the box is securely fixed to the load carrier.



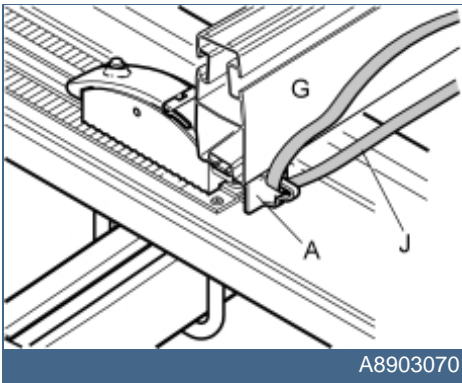
9



Installing the ski holder

- Install the ski holders (G) by sliding the T-shaped groove (H) on the ski holders on to the T-shaped lug (I)
- Press the ski holders so that they are against the side of the box
- Close and lock the space box
- Open the space box on the other side. Slide the T-shaped groove on the ski holders on to the T-shaped lug on the clips. Ensure that the ends of the ski holders protrude by the same amount in relation to the T-shaped lugs.

10



Applies when transporting transporting skis

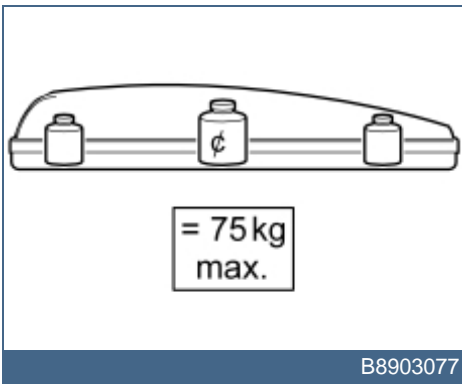
- Thread the tensioning strap (J) through the eyelets on the clips (A)
- Place the skis on the holders (G). Tighten them using the tensioning strap (J).

11

Applies when transporting transporting shorter goods

- Remove the ski holders and the clips for the quick-release mountings
- Insert the tensioning strap through the holes on the quick-release mountings where the clips were positioned
- Secure the goods using the tensioning strap.

12

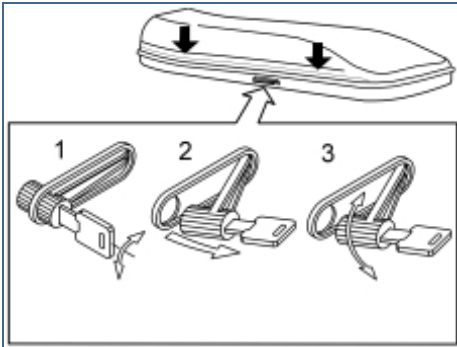


Applies when transporting all transport

- The load must be distributed as evenly as possible. **The maximum permitted load is 75 kg.** The maximum roof load of the vehicle must never be exceeded. See the car and load carrier instructions for your car model
- Check that the tensioning straps are fully tightened regularly.



13A

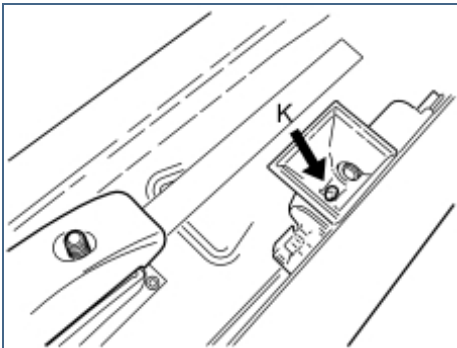


A8903099

Opening and closing the space box

- The space box has a double sided locking system. When opening the box ensure that the opposite side is locked
- The lock system has a safety system which prevents the space box from locking if the cover is not correctly closed. Ensure that each locking shackle engages in its lock when the space box is closed. The security system releases when the lug (K) is pressed down
- If the space box cannot be locked, there may be snow or debris in the locking mechanism which prevents the safety system from disengaging. Clean and try to lock it again.

13B



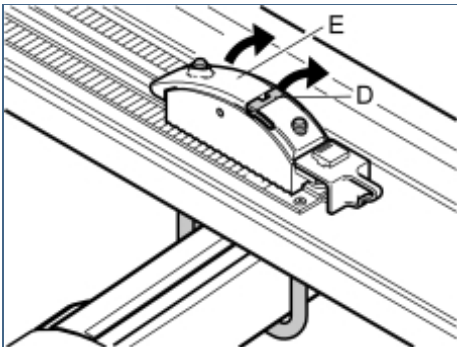
A8903071

14

Removing the space box

- Open the space box and remove the load.

15A



A8903072

Removing the space box

Applies to all quick-release mountings

Illustration A

- Fold up the safety catches (D)
- Fold the lock handle (E) to the vertical position.

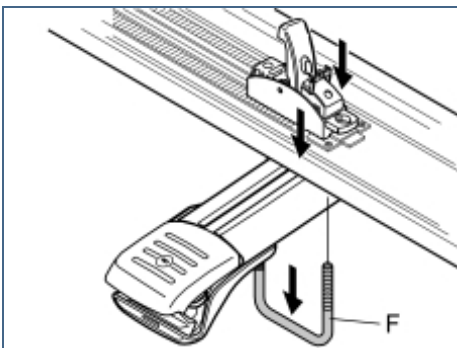
Illustration B

- Press the quick-release mountings down towards the bottom of the space box. At the same time pull out the U-shaped bracket (F).

Note!

Do not damage the roof.

15B



A8903074