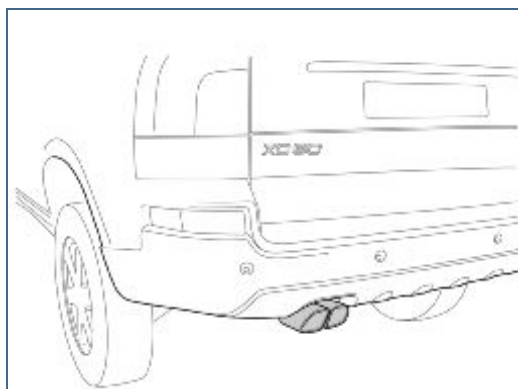




## XC90

Section	Group	Weight(Kg/Pounds)	Year	Month
2	252	0.5/1.1	2007	02

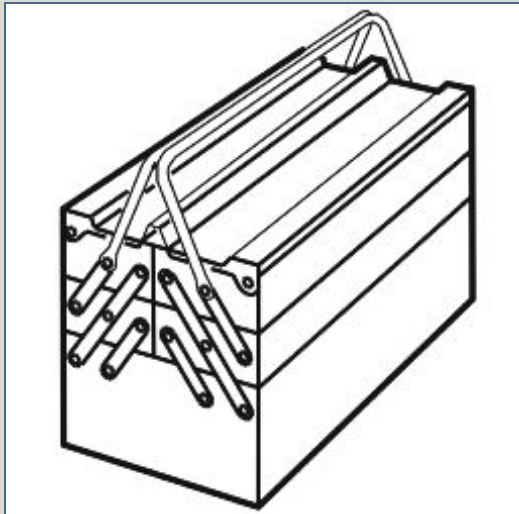
XC90 2003, XC90 2004, XC90 2005, XC90 2006, XC90 2007, XC90 2008, XC90 2009, XC90 2010



IMG-265107



## Required tools

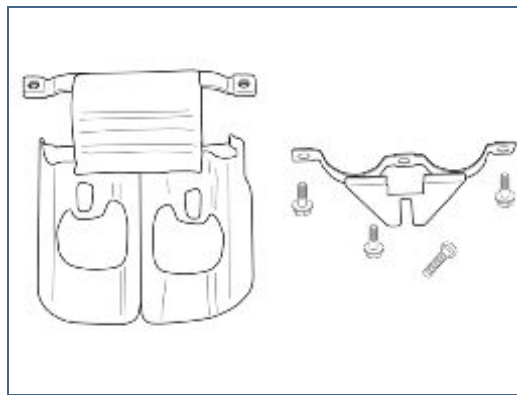


A0000162



Nm  
lbf.ft

IMG-239664



IMG-265106

Any comments on this publication? Please contact your nearest retailer. Thank You!

Publ.no:	Issue:	Kit no:
Comments:		
From:		
Address:		
Telephone:		
Telefax:		

IMG-213320



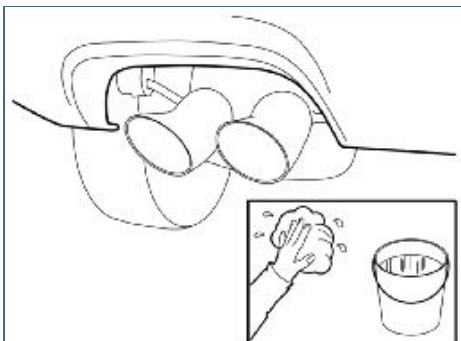
## INTRODUCTION

## End pipes

- **NOTE! Read through the whole installation instruction before starting the work.**
- The front page gives the date of this edition and the edition it replaces
- The second page shows the tools needed for the installation and the contents of the installation kit
- The illustrations display the procedure in order of operation. The order of operation is repeated in the text section
- Cut out the text page in order to follow the illustrations and text at the same time.



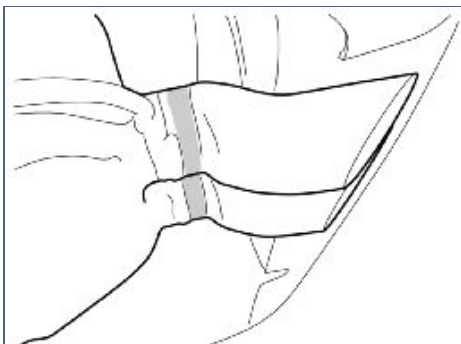
1



IMG-265108

- Clean the silencer's end pipes.

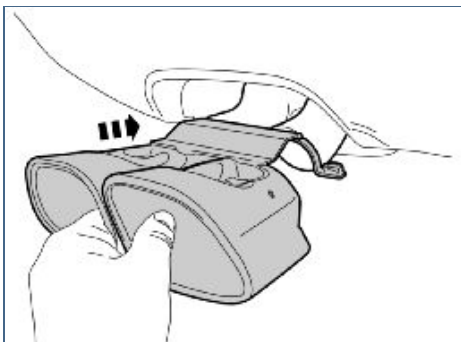
2



IMG-265109

- Ensure that the marked areas around the pipes, where the clamp for the end pipes is to be tightened, is clean.

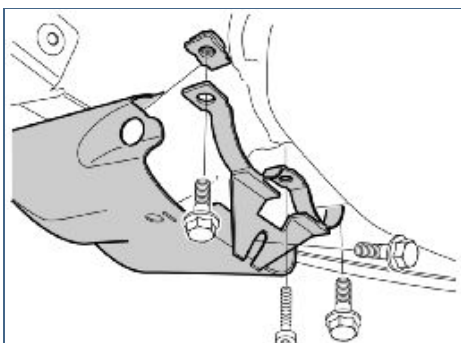
3



IMG-265110

- Insert the end pipes on the silencer's pipe.

4



IMG-265111

- Install the clamp from the kit, take the screws and loosely tighten the end pipes.
- Adjust the clamp so that it is properly secured in the recesses in the silencer pipes.
- Secure the end pipes. Tighten the screws to **24 Nm (18 lbf.ft.)**.