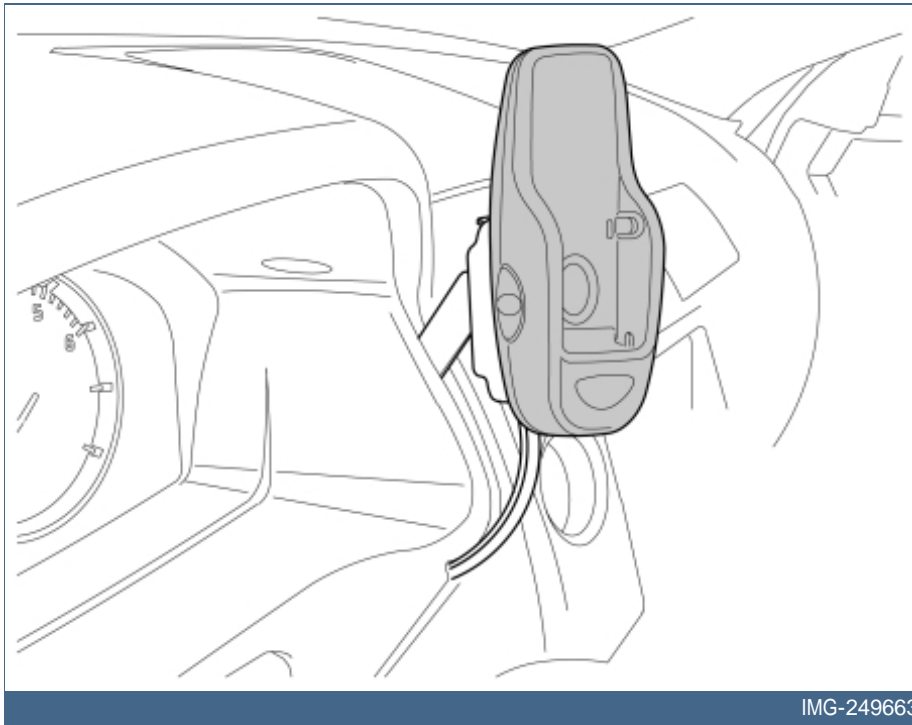


# XC90

Section	Group	Weight(Kg/Pounds)	Year	Month
3	39	0.5/1.1	2006	07

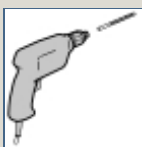
XC90 2003, XC90 2004



Required tools



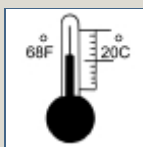
A0000162



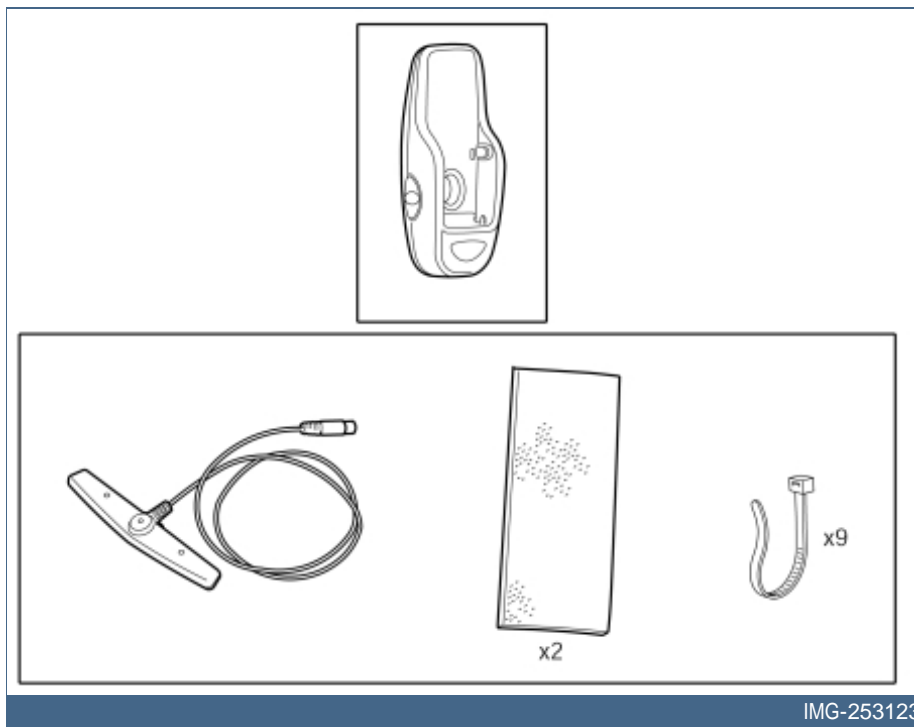
A0000163



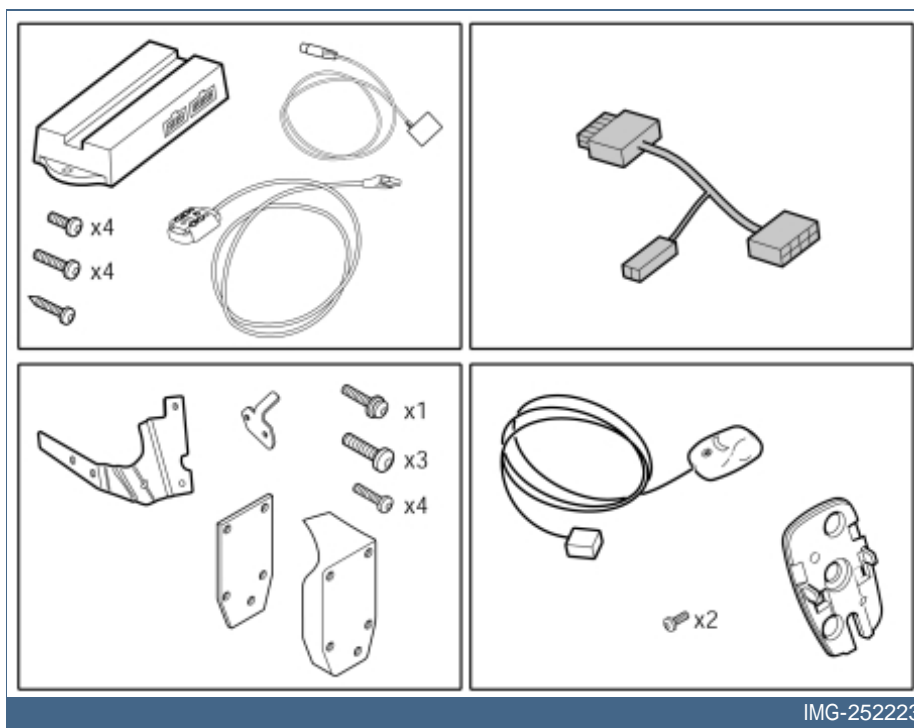
IMG-239664  
Nm  
lbf.ft



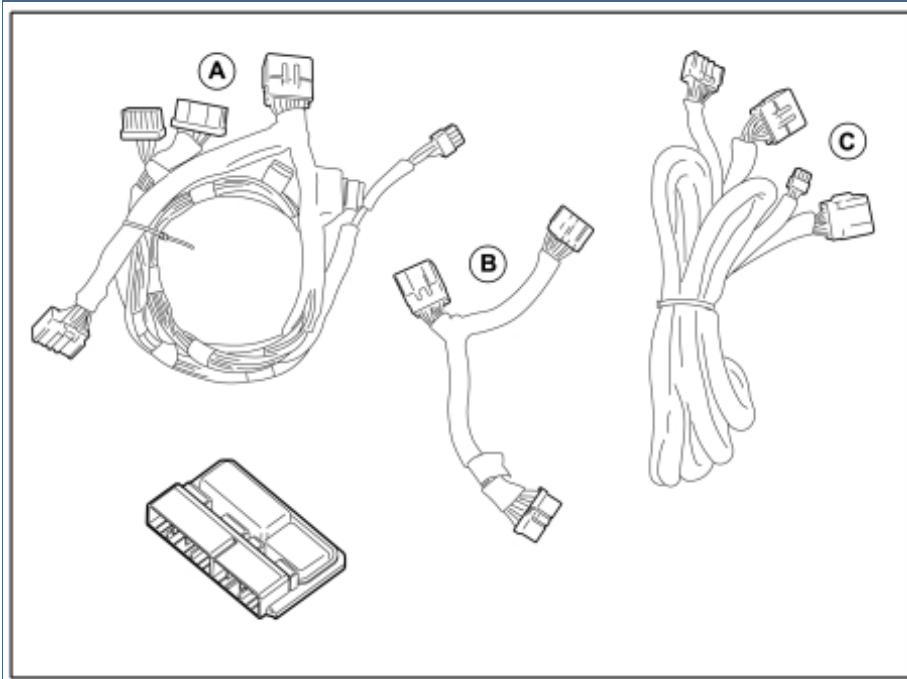
M0000232



IMG-253123



IMG-252223



IMG-252224

Any comments on this publication? Please contact your nearest retailer. Thank You!

Publ.no:	Issue:	Kit no:
Comments:.....		
.....		
.....		
.....		

From:	
Address:	
Telephone:	
Telefax:	

IMG-213320

## INTRODUCTION

- **NOTE! Read through the entire text before carrying out any work.**
- The front page gives the date of this edition and the edition it replaces
- The second page shows the tools needed for the installation and the contents of the installation kit
- The illustrations display the procedure in order of operation. The order of operation is repeated in the text section
- Cut out the text page in order to follow the illustrations and text at the same time.

## Handsfree for cellular phone, system B, entry level

### Note!

These installation instructions show installation on a left-hand drive vehicle. When installing a right-hand drive vehicle, the procedures are reversed and/or carried out on the opposite side. Where the operations differ, right-hand versions are also shown.

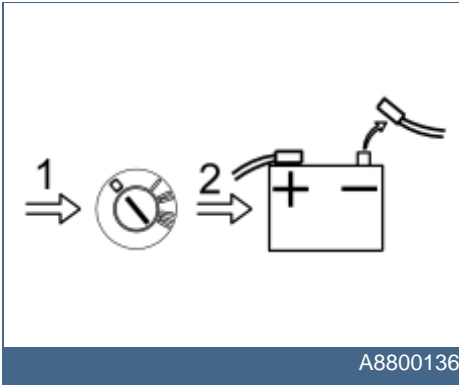
When installing antennas and Velcro tape, the underlying surface must be kept at a temperature of at least +20° C (68°F).

Wiring A is for vehicles with an internal amplifier that is located in the media player.

Wiring B and C is for cars with an external amplifier, which is located under the right-hand front seat. Cars from and including model year -07 with audio system Performance Sound has an internal amplifier. Cars up to and including model year -06 with audio system Performance Sound has an external amplifier.

Cars with the High Performance and Premium Sound audio systems have external amplifier.

1



A8800136

### Preparations

- Slide the right-hand seat all the way back and then completely upright at the front edge.

#### Note!

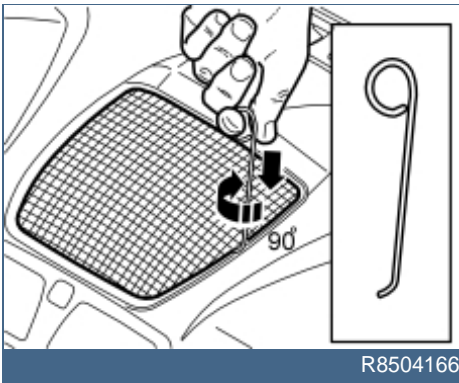
Also applies to right-hand drive cars

- Turn the ignition switch to position 0.
- Disconnect the battery negative lead.

#### Note!

Wait at least three minutes before unplugging the connectors or removing other electrical equipment.

2



R8504166

### Preparations

Removing the loudspeaker grille:

- Take a piece of welding rod  $\varnothing 1.5 \text{ mm}$  ( $1/16''$ ). Bend it  $90^\circ$  at one end,  $L = 5 \text{ mm}$  ( $13/64''$ ).
- Bend the other end to make a handle.
- First insert the bent end in the joint between the loudspeaker grille and the dashboard approximately as illustrated, until it engages.
- Turn the welding rod  $90^\circ$  so that the bent section catches the underneath of the loudspeaker grille. The welding rod may need moving along the joint to be turned.

3



R8504167

### Preparations

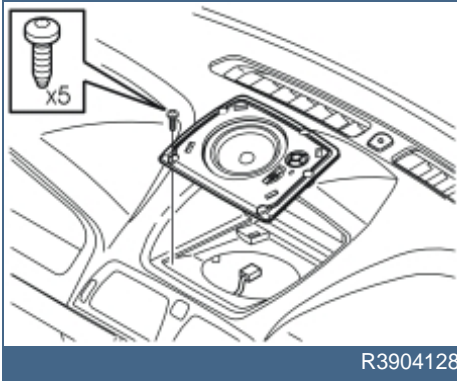
- Pull upwards until the loudspeaker grille detaches. It is securely fastened by four clips.

#### Note!

Do not damage the dashboard.

- Place the loudspeaker grille to one side.

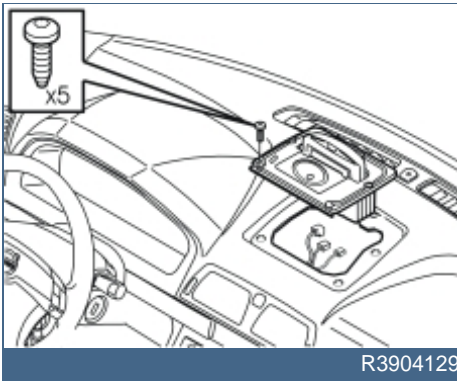
4



#### Preparations

- Remove the bracket for the loudspeaker grille by removing the five screws and pulling the grille up from the dashboard.
- Disconnect any connectors

5

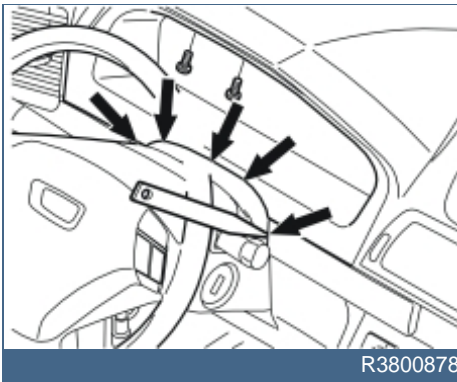


#### Preparations

##### Applies to cars with RTI (road traffic information)

- Remove the five screws for the monitor. Pull the monitor up slightly from the dashboard and disconnect the connectors.

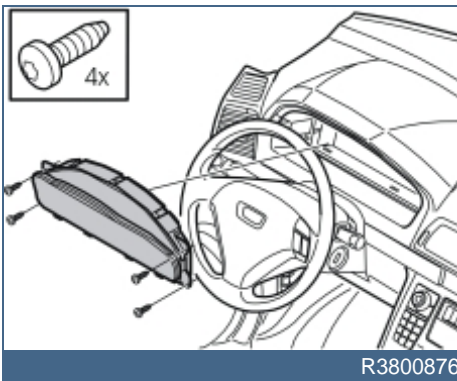
6



#### Preparations

- Lower the steering wheel to its lowest position and then move it rearward to its rearmost position.
- Remove the two screws at the top edge of the combined instrument panel border.
- Carefully use a weatherstrip tool to pry loose the rubber seal from the upper steering wheel cover. It is held in place with five hooks.
- Remove the border by carefully pulling it rearward - first at the bottom edge and then at the top edge - until all clips have released.

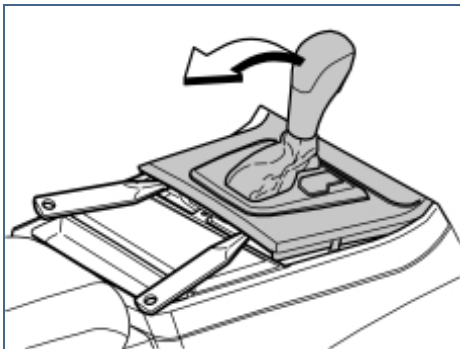
7



#### Preparations

- Remove the four screws for the combined instrument panel.
- Pull out the combined instrument panel. Disconnect the connector on the reverse of the combined instrument panel.

8



R8504113

### Preparations

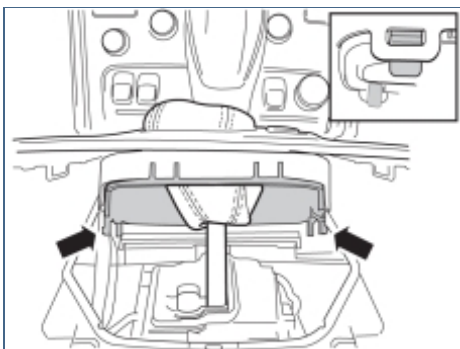
#### Applies to cars with automatic gearbox

- Turn the ignition key to position II.

#### Applies to all models

- Move the gear selector lever to its rearmost position.
- Carefully prize away the gear lever panel at the rear edge using a weatherstrip tool.

9

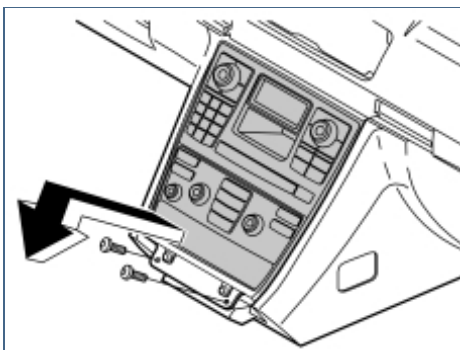


IMG-239204

### Preparations

- Press in the catches and remove the panel.

10



R8504051

### Preparations

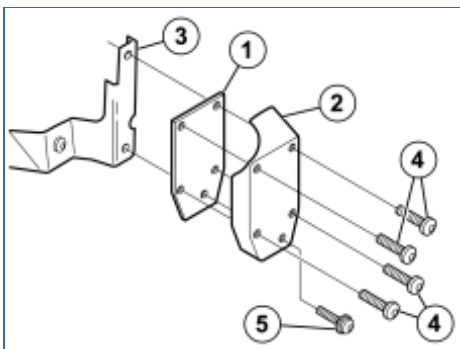
- Remove the two screws.
- Remove the A/C / radio unit from the center console. Pull the bracket at the lower edge and then downwards until it releases from the mounting at the upper edge.

#### Note!

Do not damage the removed components or the surrounding panels.

- Unplug the connectors.

11

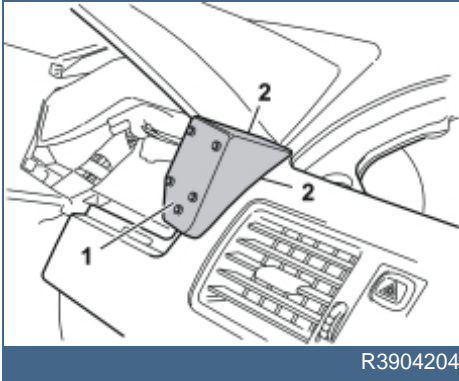


IMG-253423

### Preparations, telephone holder

- Take the telephone holder's bracket with reinforcement plate, cover and screws from the kit.
- Install the reinforcement plate (1) and cover (2) in the bracket (3) with screws (4) and screw (5).

12

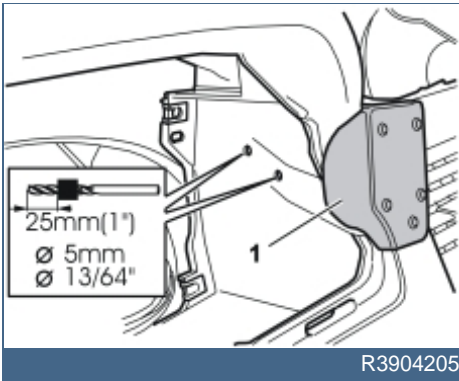


R3904204

### Preparations, telephone holder

- Place the entire unit (1) in the dashboard for marking the holes for the bracket. Adjust to achieve the best position. Do not press the unit hard against the dashboard but ensure that there are no gaps at the sides between the panel and dashboard (2).

13

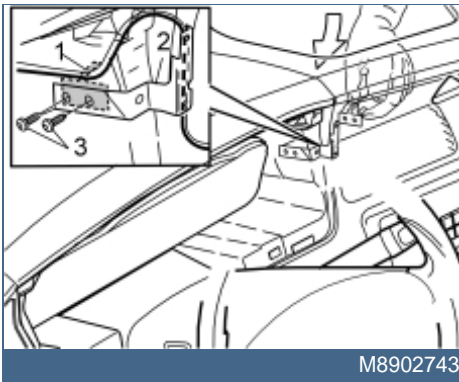


R3904205

### Preparations, telephone holder

- Hold the unit securely and mark out the holes through the bracket.
- Drill out the two holes using a  $\varnothing 5\text{ mm}$  ( $13/64''$ ) drill bit. Use a 25 mm (1") drill stop.
- Remove any swarf.
- Remove the cover and reinforcement plate from the bracket.

14

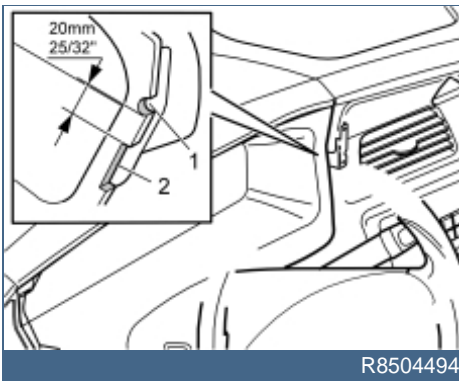


M8902743

### Preparations, telephone holder

- Take the reinforcement plate (1) and two screws from the kit.
- Place the telephone holder's cables that are routed on the rear side of the bracket as illustrated.
- Insert the reinforcement plate through the hole for the central loudspeaker.
- Install the bracket (2) with the two screws (3). Tighten the bracket to the end of the dashboard.

15



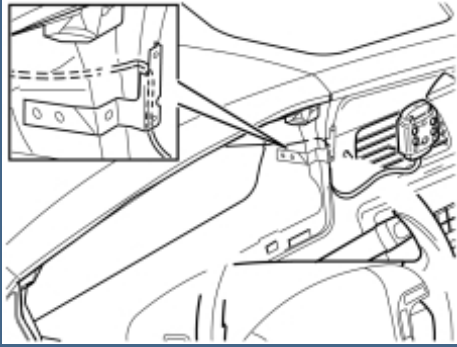
R8504494

### Preparations, telephone holder

- Press the surround on to the combined instrument panel.
- Make markings on the surround as illustrated, where cut-outs are to be made for the wiring and the bracket for the handset holder.
- Remove the surround and file out the groove (1) for the cables for the handset holder. The groove must be large enough for any excess cable to be pulled through.
- File out a groove (2) for the bracket for the handset holder.
- Smooth off the filed cut-outs.



16

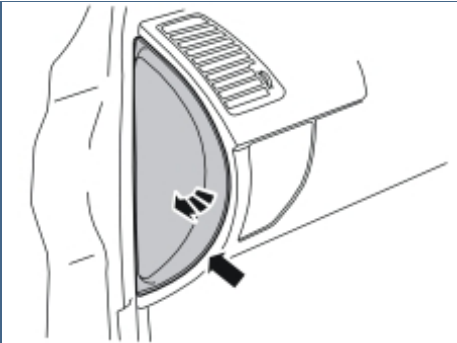


IMG-252463

### Preparations, telephone holder

- Route the cables from the mounting plate in the hole behind the combined instrument panel and continue to the center console. Do not route the cables in too much so that the mounting plate cannot be installed.

17

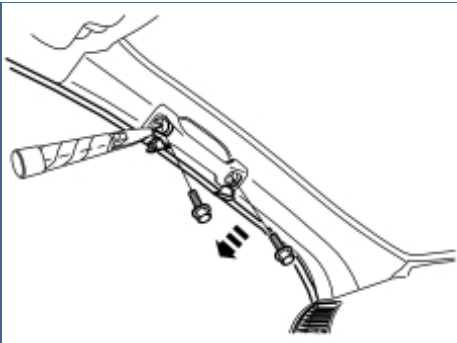


R3904866

### Installing the microphone

- Pry off the rear edge of the panel on the left-hand end of the dashboard. Twist out the panel. Remove the panel.

18

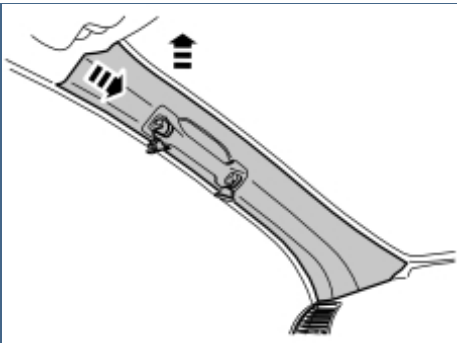


R8504830

### Installing the microphone

- Pry up the cover on the grab handle by the posts and remove the screws from underneath.
- Pull off the rubber strip in the door opening.

19

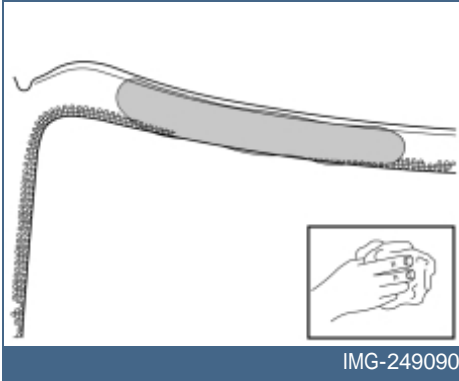


R8504831

### Installing the microphone

- Pull off the A-pillar panel at the upper edge and then straight upwards to remove it.

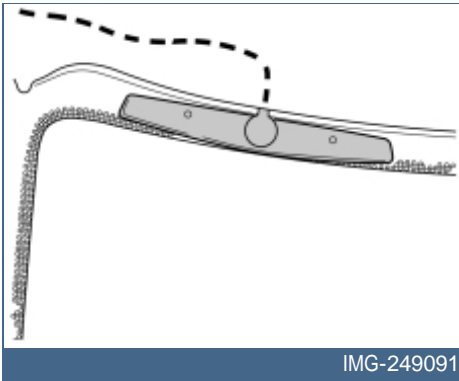
20



### Installing the microphone

- Use isopropanol to clean the inside of the windshield (as illustrated).

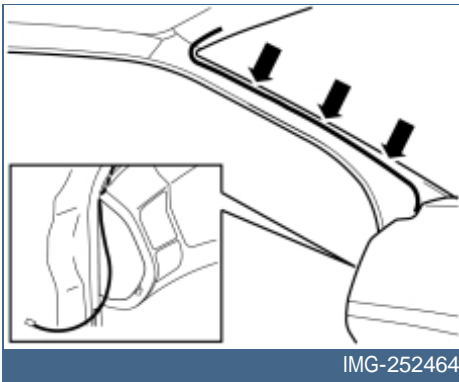
21



### Installing the microphone

- Take the antenna from the kit. Remove the protective film from the rear side.
- Position the antenna as illustrated and press it onto the windshield. Press securely so that the tape adheres.

22



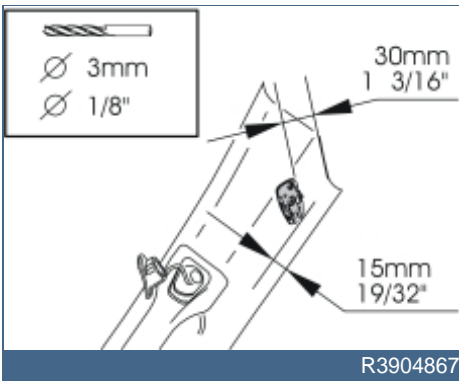
### Installing the microphone

- Route the antenna cable along the A-post, down toward the dashboard and out toward the end.
- Secure the cable using three tie straps.

#### Caution!

The inflatable curtain (IC) is located inside the A-pillar panel, it is important that the cable is not positioned on it.

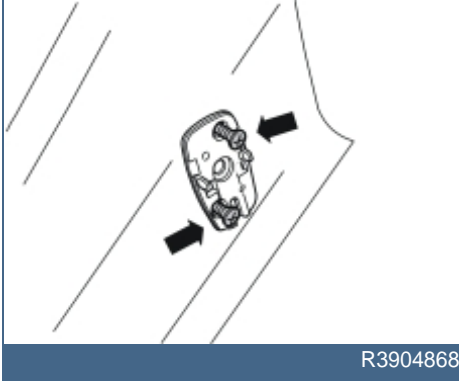
23



### Installing the microphone

- Take the mounting plate from the kit and position it on the A post panel's upper end as illustrated. If the microphone is already on the mounting plate, remove it. The microphone is attached by mounting hooks along the long sides.
- Mark out and drill the holes for the mounting plate. Use a  $\text{Ø}3 \text{ mm}$  ( $1/8''$ ) diameter drill bit.
- Remove any swarf.

24



### Installing the microphone

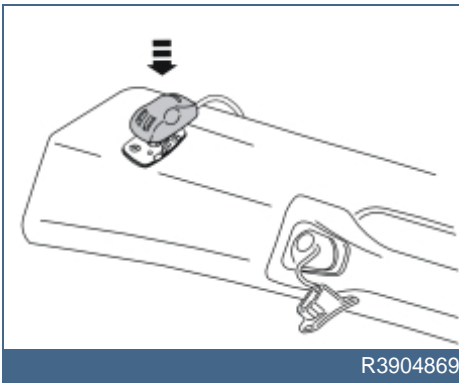
- Install the mounting plate on the A-post panel using two screws from the kit.

#### Caution!

The inflatable curtain (IC) is located inside the A-post panel. It is important to file off the screws securing the mounting plate if necessary, so that they just fit through the panel.

- Check how much of the screws protrudes on the reverse. Unscrew the screws. File off the screws to the correct length.
- Reinstall the screws.

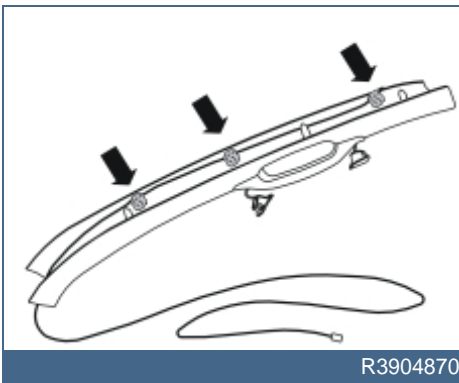
25



### Installing the microphone

- Press the microphone from the kit into place on the mounting plate.

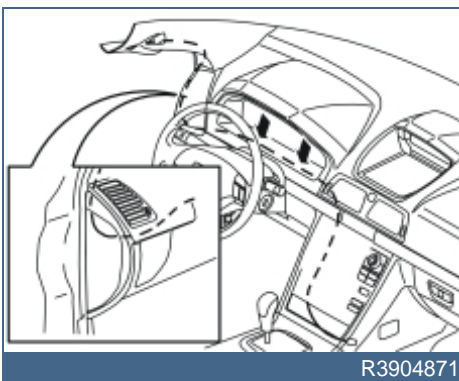
26



### Installing the microphone

- Route the microphone cable on the inside of the A-post panel. Secure the cable using pieces of butyl tape.

27

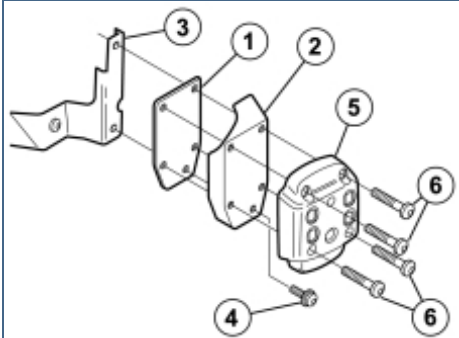


### Installing the microphone

- Press the A post panel into place. Install the screws and tighten them to **10 Nm (7 lbf.ft.)**.
- Press the covers over the screws into place.
- Pull the microphone cable and antenna cable through the dashboard's left-hand end, into the compartment for the combined instrument panel and into the microphone bracket.
- Secure the cable using pieces of butyl tape under the combined instrument panel.

- Connect the combined instrument panel and reinstall it.
- Reinstall the surround for the combined instrument panel and tighten.

28

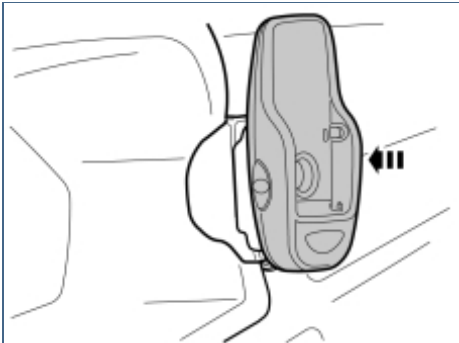


IMG-252471

#### Installing the telephone holder

- Install the reinforcement plate (1) and cover (2) in the bracket (3). Use screw (4).
- Check that the upper right-hand holes are opposite each other.
- Tighten the screw (4).
- Install the mounting plate (5) and tighten it with the screws (6).
- Feed the excess of the cables into the dashboard.

29

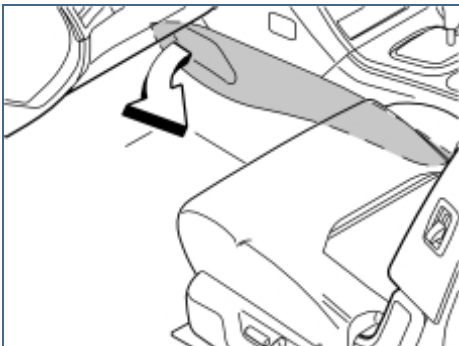


IMG-252472

#### Installing the telephone holder

- Install the telephone holder on the mounting plate.

30



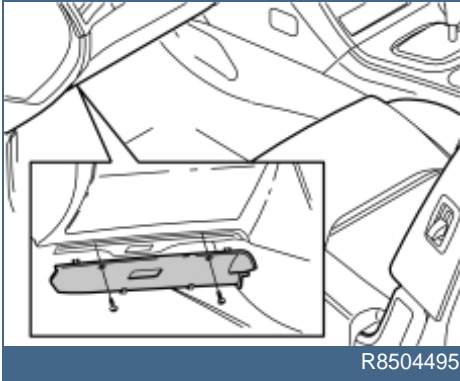
R8504165

#### Connection to the amplifier

##### Steps 30-41 apply to cars with external amplifier

- Remove the center console's left and right-hand side panel by first pulling them away at the front edge and continue backwards until all the clips have released.

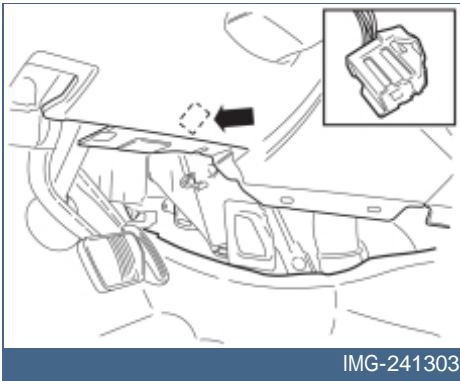
31



#### Connection to the amplifier

- Remove the sound proofing panel by first removing the two screws and then prying off the sound proofing panel at the top edge.

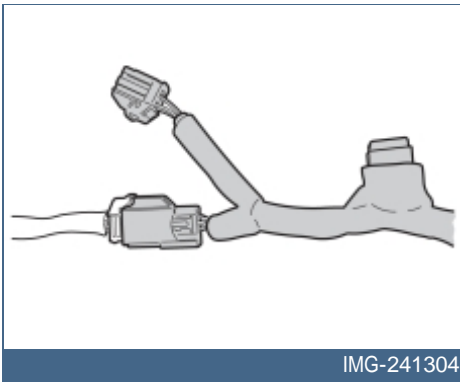
32



#### Connection to the amplifier

- Locate the 4 pin, gray, pre-routed connector for the power supply. It comes from the thick cable harness under the dashboard on the right-hand side of the steering wheel

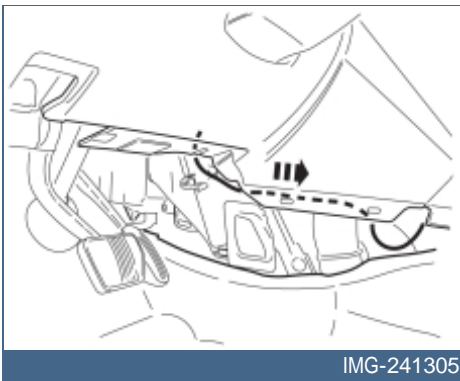
33



#### Connection to the amplifier

- Take cable harness C (marked C in the kit image) from the kit. Connect it to the existing connector. The pre-routed connector is already connected on certain cars.
- Disconnect this and connect both the connectors from the new cable harness.
- Install the loose connectors on the car's existing cable harness using a tie strap,

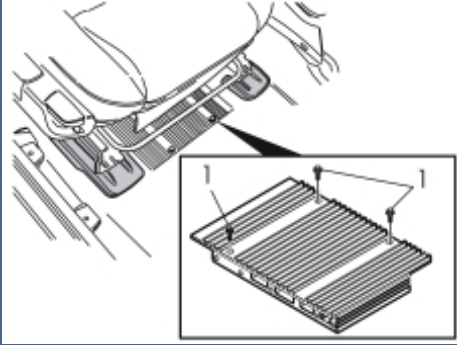
34



#### Connection to the amplifier

- **Only applies to left-hand drive vehicles.**
- Route the cable harness backwards and across through the center console.

35



R3904521

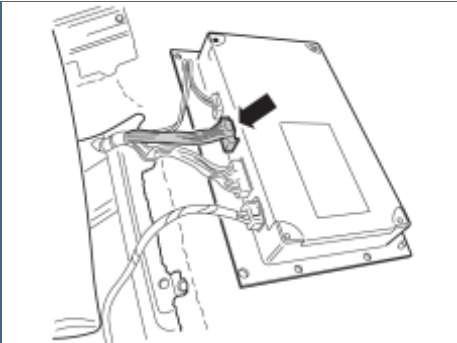
#### Connection to the amplifier

- Slacken off the amplifier screws (1) under the right-hand front seat.

#### Applies to right-hand drive cars

- steps 35-51 must not be mirrored.

36

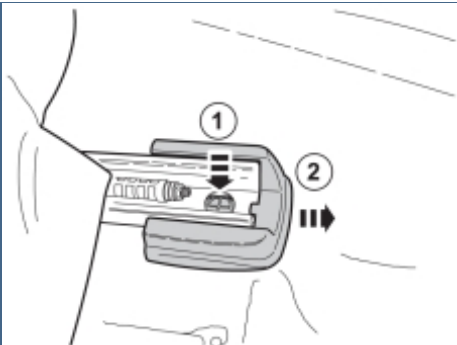


IMG-241306

#### Connection to the amplifier

- Lift out the amplifier. Use a weatherstrip to raise it from its recessed position.
- Place the amplifier upside down as illustrated.
- Disconnect the connector at the arrow.

37

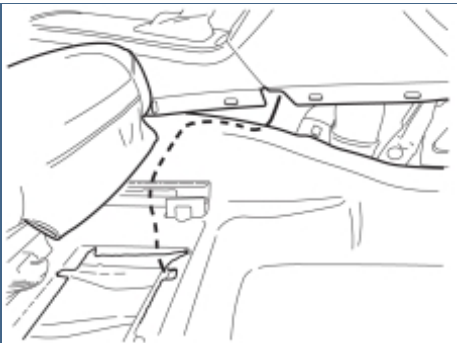


IMG-241307

#### Connection to the amplifier

- Remove the left-hand seat piece.

38



IMG-241308

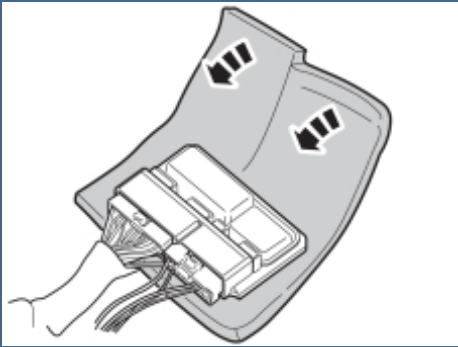
#### Connection to the amplifier

- Pull the cable, that is connected to the 4 pin connector, out from the center console, under the carpet to the amplifier.

#### Applies to right-hand drive cars

- Route the cable that was connected to the 4-pin connector, on the right-hand side of the center console and then under the carpet to the amplifier.

39

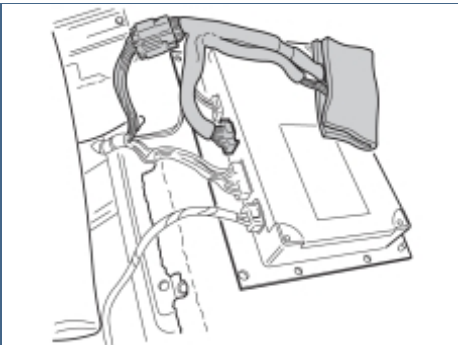


IMG-239782

#### Connection to the amplifier

- Take cable harness B (marked B in the kit image), the mute relay and 2 pieces of foam tape from the kit.
- Connect cable harness B and the pre-routed cable harness C to the mute relay.
- Wrap the foam tape around the mute relay.

40

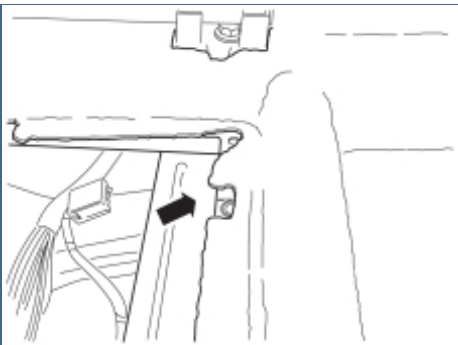


IMG-241309

#### Connection to the amplifier

- Connect the connector that was disconnected from the amplifier to the connector on cable harness C.
- Connect the connector on cable harness C to the amplifier.
- Secure the connected connectors using a tie-strap.

41

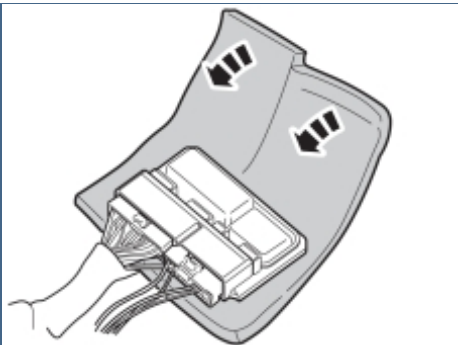


IMG-241310

#### Connection to the amplifier

- Place the mute-relay under the front left corner in the recess.
- Reinstall the amplifier and tighten it with the screws.

42



IMG-239782

#### Connection to the amplifier

##### Steps 42-44 apply to cars with internal amplifier.

- Take cable harness A (marked A in the kit image), the mute relay and 2 pieces of foam tape from the kit
- Connect the connectors from the cable harness to the mute relay

43



IMG-252474

#### Connection to the amplifier

- Place the relay with the cable harness at the rear edge of the opening on the center console.

44

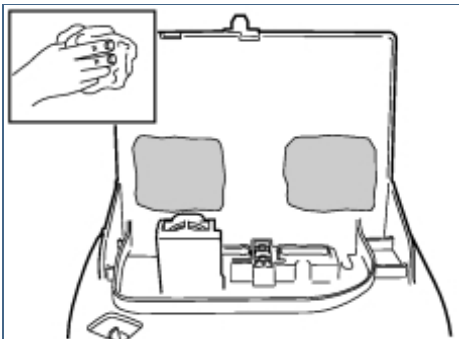


IMG-252475

#### Connection to the amplifier

- Connect the antenna cable (1) to the short cable (2) from the telephone holder mounting plate.

45

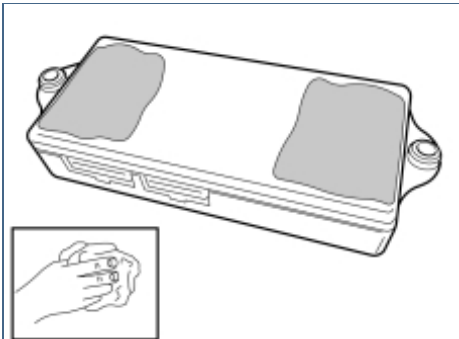


IMG-250305

#### Installing the handsfree control module

- Clean the surrounding areas, as illustrated, underneath the detached A/C / radio unit. Use isopropanol.

46



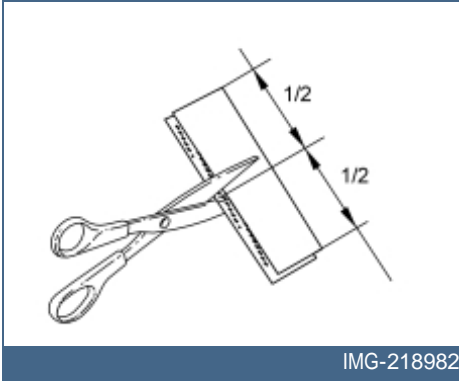
IMG-252476

#### Installing the handsfree control module

- Take the control unit from the kit and clean in the locations as shown in the image. Use isopropanol.



47

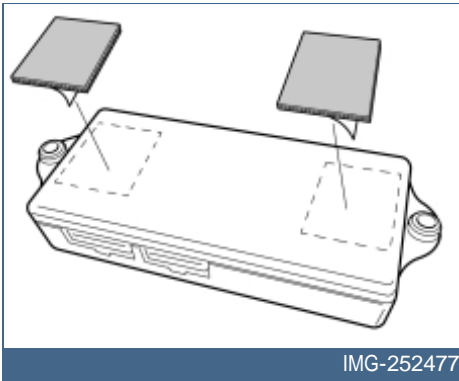


IMG-218982

#### Installing the handsfree control module

- Take a Velcro strip and cut off two pieces of the same length.
- Press the pieces together.
- Cut off two pieces of the same length again at the center

48

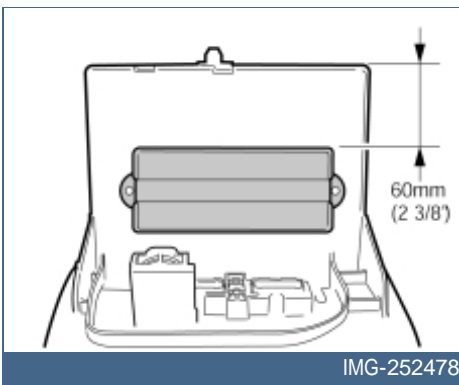


IMG-252477

#### Installing the handsfree control module

- Remove the protective backing tape from one side of the Velcro fasteners which were pressed together.
- Apply the Velcro strips on the control module and press.

49

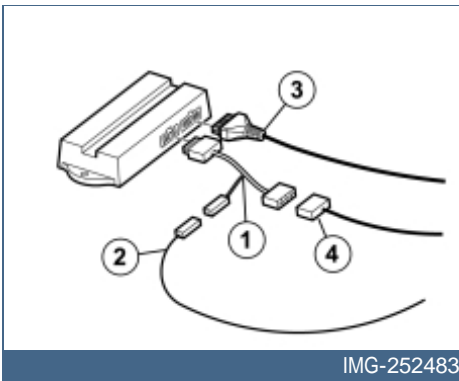


IMG-252478

#### Installing the handsfree control module

- Remove the remaining protective file on the Velcro strips, align and install the control module on the A/C / radio unit as illustrated. Press onto the control module so that the tape adheres.

50



IMG-252483

#### Installing the handsfree control module

- Take the adapter wiring from the kit.
  - Connect the connectors as illustrated.
- Adapter wiring (1) to the control module.
- The cable (2) from the microphone.
- The cable (3) from the power supply and mute relay.
- The cable (4) from the telephone holder.

51

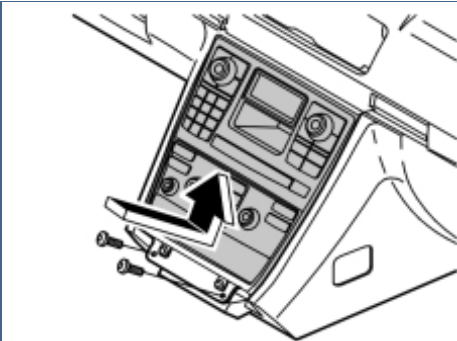


IMG-252484

### Installing the handsfree control module

- Place the connectors and excess wiring at the bottom of the center console and secure them using a tie strap. Check that they do not rub against the edges of the bracket.

52

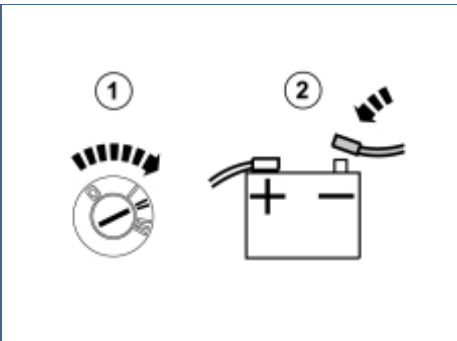


R8504268

### Installing the handsfree control module

- Reinstall the A/C / radio unit by first hooking the upper edge into place. Then press upwards and angle in the lower section.
- At the same time check that the cables are not trapped.
- Reinstall the screws.

53



IMG-242267

### Installing the handsfree control module

#### Reinstall:

- panel for gear selector.
- the end face panel for the dashboard.
- sound proofing.
- seat piece.
- the side panels on the center console.
- Turn the ignition key to position II.
- Reconnect the battery negative lead.