

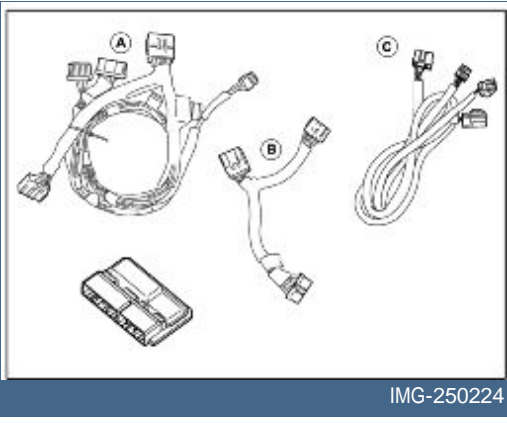
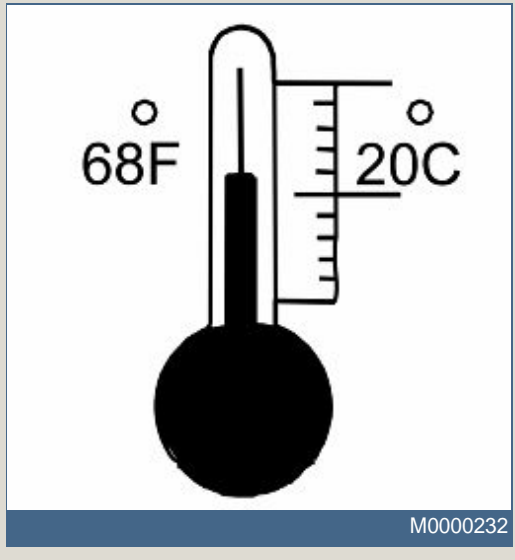
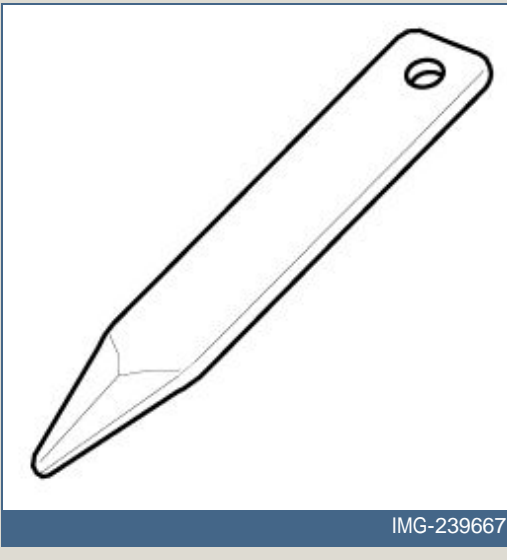
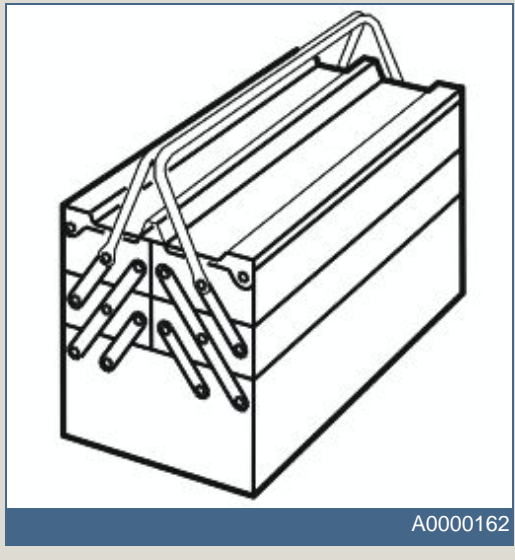
XC90

Section	Group	Weight(Kg/Pounds)	Year	Month
3	394	1/2.2	2007	11

XC90 2003, XC90 2004, XC90 2005, XC90 2006, XC90 2007, XC90 2007, XC90 2008, XC90 2008, XC90 2009, XC90 2010

Replaces issue: 2006 05

Required tools



INTRODUCTION

- **NOTE! Read through the whole installation instruction before starting the work.**
- The front page gives the date of this edition and the edition it replaces
- The second page shows the tools needed for the installation and the contents of the installation kit
- The illustrations display the procedure in order of operation. The order of operation is repeated in the text section
- Cut out the text page in order to follow the illustrations and text at the same time.

Handsfree, Volvo Handsfree System with Bluetooth

Note!

These installation instructions apply to left-hand drive vehicles. When installing in a right-hand drive vehicle, the procedure is carried out on the opposite side and/or mirrored. Where the operations differ, right-hand versions are also displayed with text and images.

There may be components in the accessories kit that are not used for this installation.

Note!

When installing Velcro fasteners/tape the underlying surface must be kept at a temperature of at least +20° C (68°F).

Wiring A is for vehicles with an internal amplifier that is located in the media player.

Wiring B and C is for vehicles with an external amplifier that is located under the right-hand front seat.

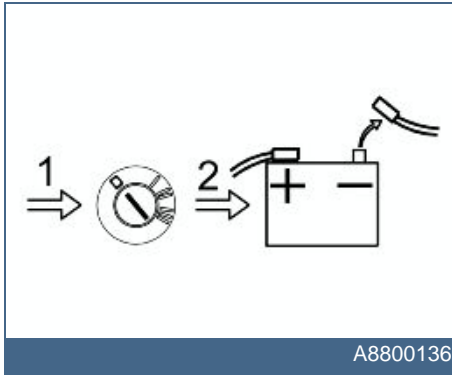
Vehicles from and including model year 07- with audio system Performance Sound have an internal amplifier.

Vehicles up to and including model year -06 with audio system Performance Sound have an external amplifier.

Cars with the High Performance and Premium Sound audio systems have external amplifier.

Place the manual for this accessory in a suitable place in the vehicle.

1



A8800136

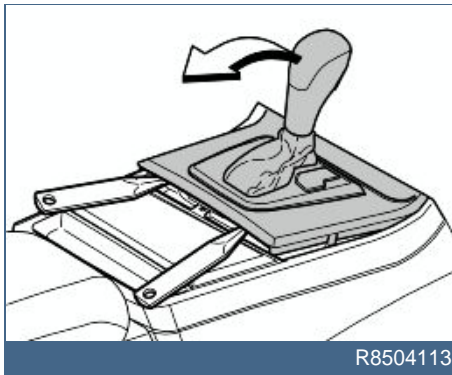
Preparations

- Slide the right-hand front seat fully backwards and then fully upwards at the front edge (also applies to right-hand drive vehicles).
- Turn the ignition switch to position 0.
- Disconnect the battery negative lead.

Note!

Wait at least three minutes before unplugging the connectors or removing other electrical equipment.

2

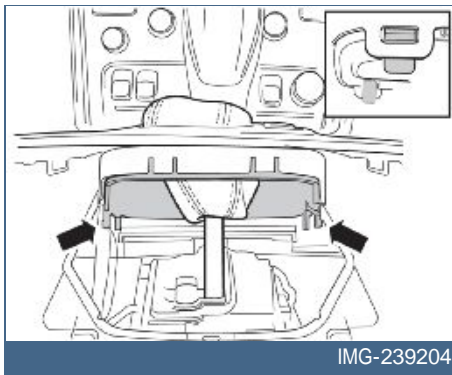


R8504113

Preparations

- **Applies to cars with automatic gearbox**
- Turn the ignition key to position II.
- **Applies to all models**
- Move the gear selector lever to its rearmost position.
- Use a weatherstrip and pry off the gear selector panel at the rear edge.

3

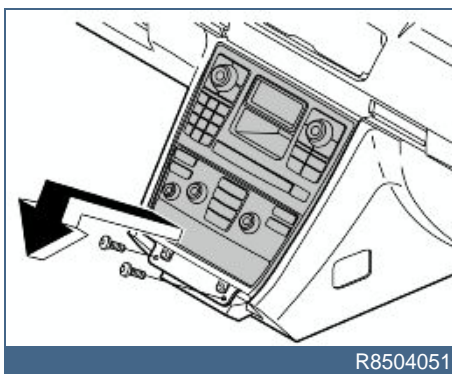


IMG-239204

Preparations

- Press in the catches and remove the panel.

4



R8504051

Preparations

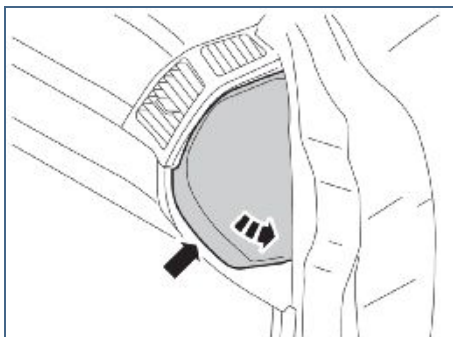
- Remove the two screws.
- Remove the bracket with the A/C panel and radio from the center console. Pull from the lower edge and then downwards until it releases from the mounting at the upper edge.

Note!

Do not damage the removed components or the surrounding panels.

- Remove the connectors.

5

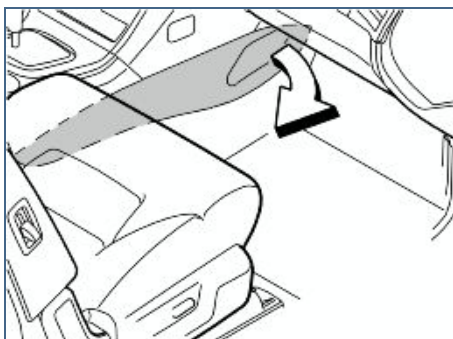


IMG-241300

Preparations

- Remove the end face panel from the dashboard.

6

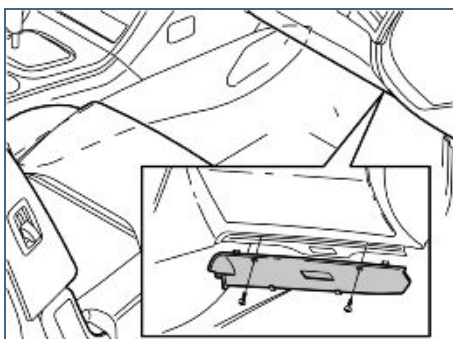


R8504225

Preparations

- Remove the center console's right-hand side panel by pulling it away starting at the front edge and then backwards until all the clips have released.

7

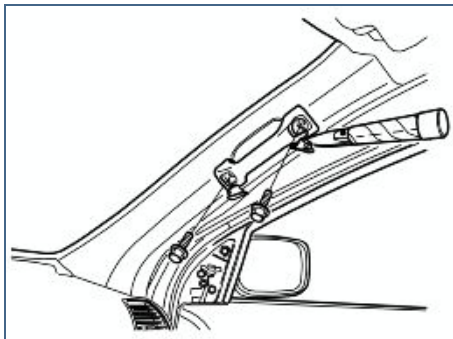


R8504419

Preparations

- Remove the screws and soundproofing panel.

8

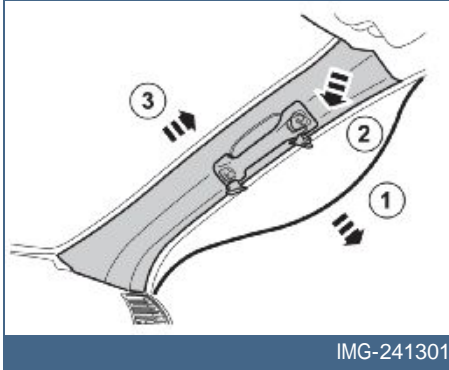


R8504175

Preparations

- Remove the covers and screws for the grab handle on the A-pillar.

9

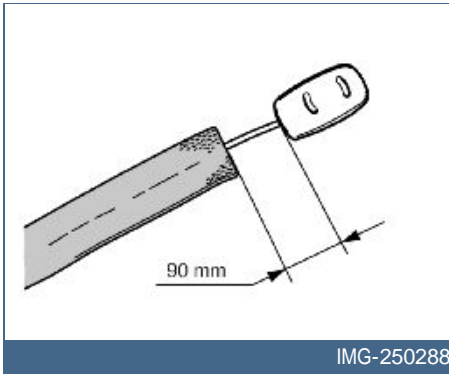


IMG-241301

Preparations

- Pull of the weatherstrip (1) for the door at the A-pillar.
- Pull off the A-pillar panel at the upper edge and then straight upwards to remove it.

10



IMG-250288

Installing the microphone

- Tape a 700 mm length piece of foam tape on the microphone cable starting 90 mm from the microphone.

11



IMG-284125

Installing the microphone

- Clean the area on the microphone and headlining panel as illustrated, which corresponds to the size of the double-sided adhesive tape. Use a solution of 25% isopropanol and 75% water, as well as a lint free cloth.

Dry with care, do not rub.

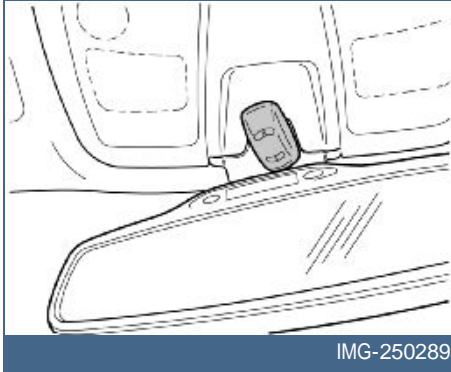
- Allow to dry.

Note!

In cases where the area is heavily soiled or treated with cockpit shine. First clean using a washing up detergent (FAIRY or similar).

- Remove the backing tape from one side of the Velcro strip and press it onto the microphone.

12



IMG-250289

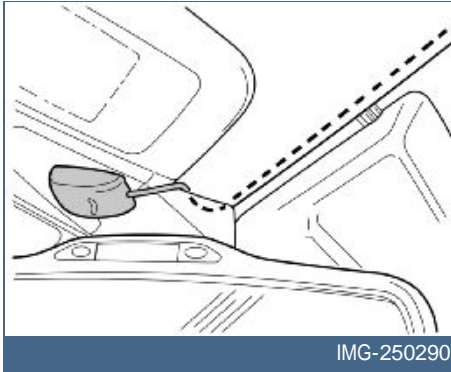
Installing the microphone

- Remove the remaining protective film from the Velcro strip. Press the microphone securely into place.

Note!

The microphone must be pointing towards the driver. Make sure that it does not obstruct adjustment of the rear view mirror.

13

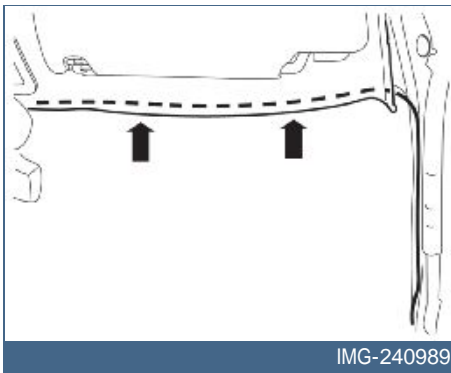


IMG-250290

Installing the microphone

- Route the microphone cable under the rear view mirror's mounting and inside the headlining. Insert the cable using a weatherstrip tool.

14

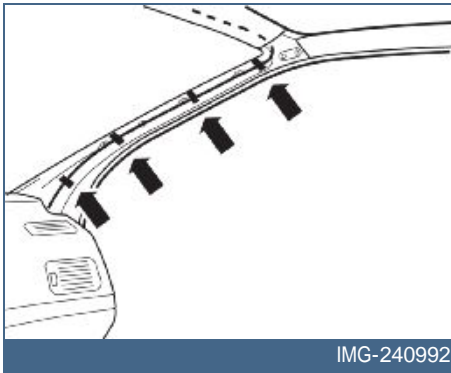


IMG-240989

Installing the microphone

- Carefully pull down the headlining and route the cable above it, to the A-pillar.

15



IMG-240992

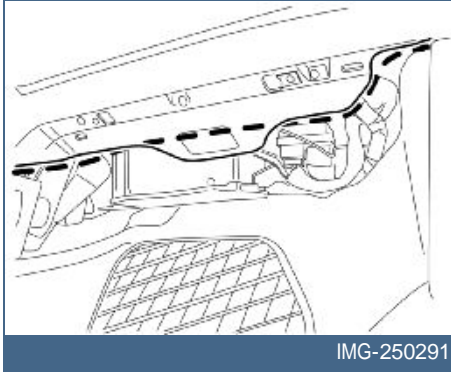
Installing the microphone

- Pull the cable down along the A-pillar to the dashboard.
- Cut off two 100x50mm pieces of foam tape in the middle.
- Secure the cable to the A-pillar using foam tape.

Caution!

The inflatable curtain (IC) is located inside the A-pillar panel, it is important that the cable is not positioned on it.

16

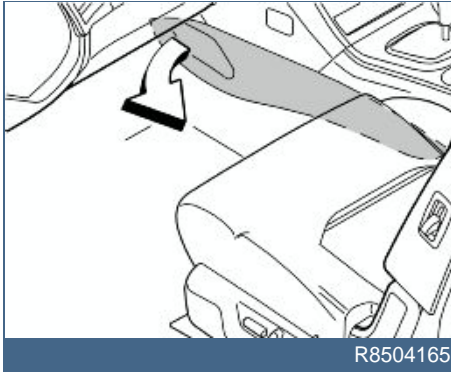


IMG-250291

Installing the microphone

- Cut off one 100x50mm strip of foam tape in the middle.
- Secure the cable on the heater unit using the pieces of tape.
- Route the cable further in towards the center console.

17



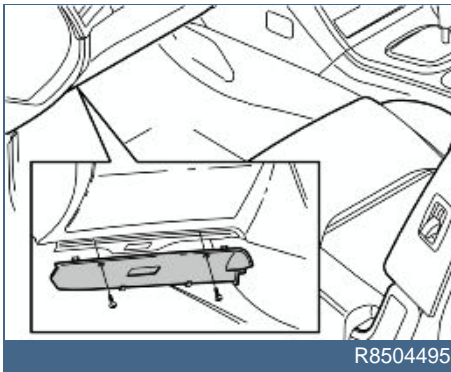
R8504165

Connecting the external amplifier

Steps 17-28 apply to cars with external amplifier.

- Remove the center console's left-hand side panel by pulling it away starting at the front edge and then backwards until all the clips have released.

18

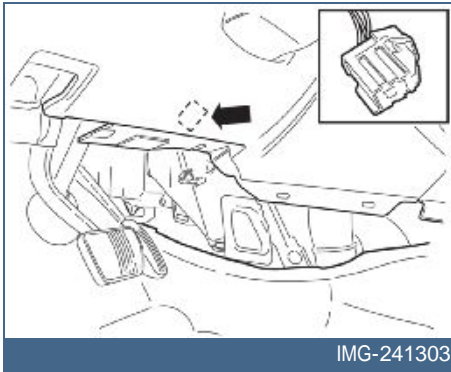


R8504495

Connecting the external amplifier

- Remove the sound proofing panel by first removing the two screws and then prying off the sound proofing panel at the top edge.

19

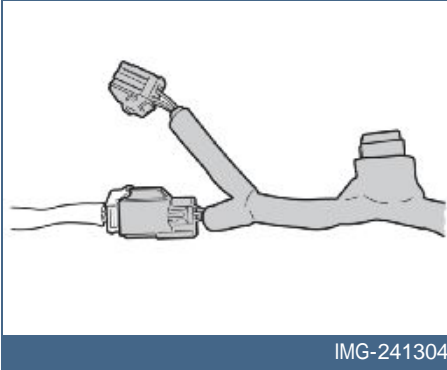


IMG-241303

Connecting the external amplifier

- Locate the 4 pin, gray, pre-routed connector for the power supply. It comes from the thick cable harness under the dashboard on the right-hand side of the steering wheel

20



IMG-241304

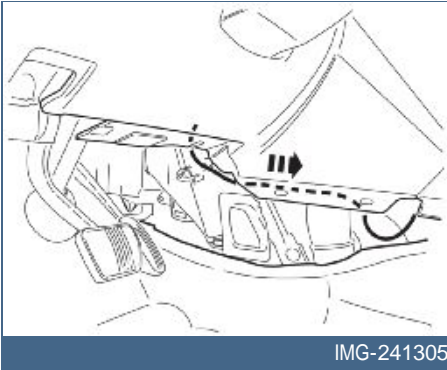
Connecting the external amplifier

- Take cable harness C from the kit. Connect it to the existing connector.

The pre-routed connector is already connected on certain versions. Disconnect the connector and connect both connectors from the new cable harness.

- Cut a 700 mm piece of foam tape into three pieces of the same length. Tape one piece around the connectors on the car's existing cable harness.

21



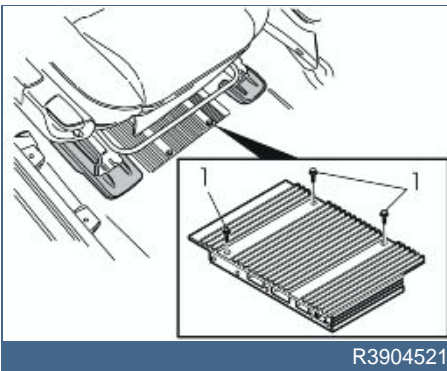
IMG-241305

Connecting the external amplifier

Only applies to left-hand drive vehicles.

- Route the cable harness backwards and across through the center console.

22



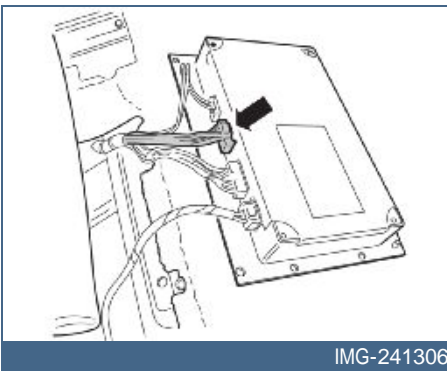
R3904521

Connecting the external amplifier

Applies to both left and right-hand drive vehicles

- Slacken off the amplifier screws (1) under the right-hand front seat.

23



IMG-241306

Connecting the external amplifier

- Lift out the amplifier. Use a weatherstrip to raise it from its recessed position.
- Place it upside down as illustrated.
- Disconnect the connector.

24

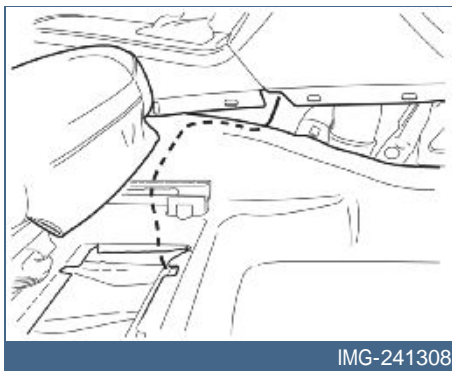


IMG-241307

Connecting the external amplifier

- Remove the left-hand seat piece.

25



IMG-241308

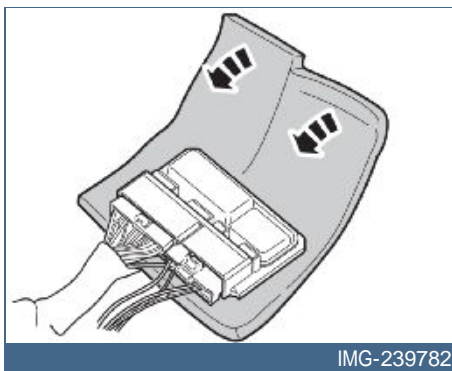
Connecting the external amplifier

- Route the cable that was connected to the 4-pin connector from the center console to the amplifier under the carpet.

Applies to right-hand drive cars

- Route the cable that was connected to the 4-pin connector, on the right-hand side of the center console and then under the carpet to the amplifier.

26

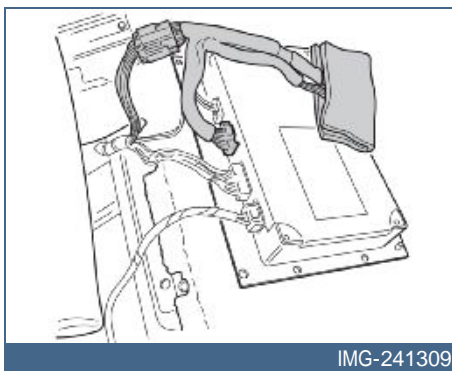


IMG-239782

Connecting the external amplifier

- Take the mute relay, two foam tape pieces and cable harness B from the kit.
- Connect the pre-routed cable harness and cable harness B to the relay.
- Tape the foam tape pieces around the relay.

27



IMG-241309

Connecting the external amplifier

- Connect the connector that was disconnected from the amplifier to the connector from the mute relay.
- Tape one cut piece of foam tape around the connectors.
- Connect the other connector from the relay to the amplifier.

28

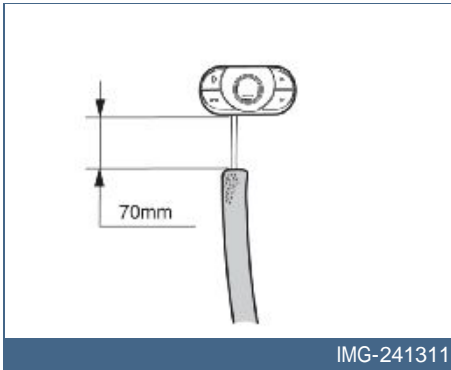


IMG-241310

Connecting the external amplifier

- Place the mute-relay under the front left corner in the recess.
- Reinstall the amplifier and tighten it with the screws.

29



IMG-241311

Installing the control panel

- Tape a 700 mm length piece of foam tape on the cable starting 70 mm from the control panel.

30



IMG-284183

Installing the control panel

- Clean the area on the dashboard as illustrated, which corresponds to the size of the double-sided adhesive tape. Use a solution of 25% isopropanol and 75% water, as well as a lint free cloth.

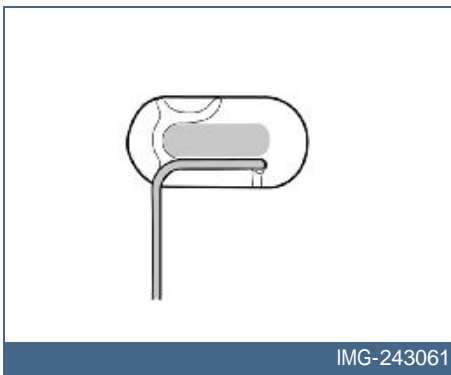
Dry with care, do not rub.

- Allow to dry.

Note!

In cases where the area is heavily soiled or treated with cockpit shine. First clean using a washing up detergent (FAIRY or similar).

31



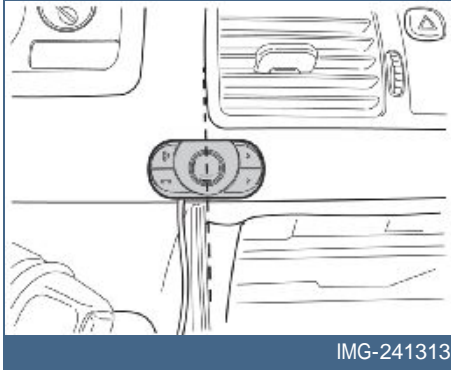
IMG-243061

Installing the control panel

Only applies to right-hand drive vehicles

- Position the control panel cable in the groove as illustrated.

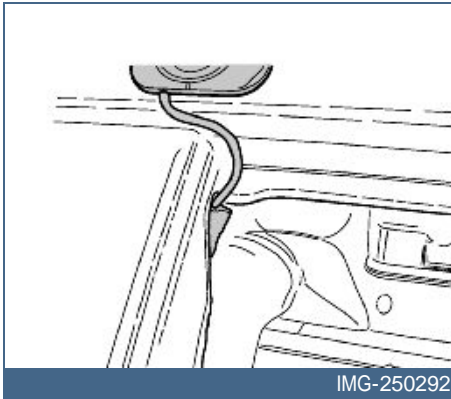
32



Installing the control panel

- Remove the protective film from the tape on the reverse of the control panel.
- Align and secure the control panel on the dashboard.

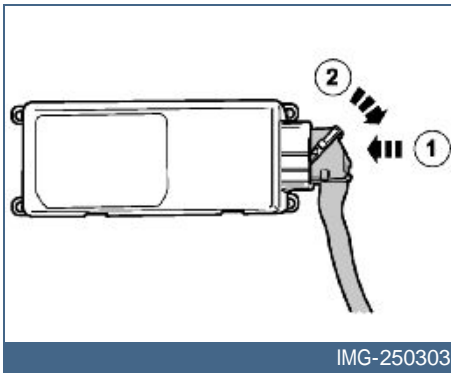
33



Installing the control panel

- Pull the cable down to the opening in the center console. The cable must be positioned in the upper edge of the opening, approximately 10 mm from the corner.

34

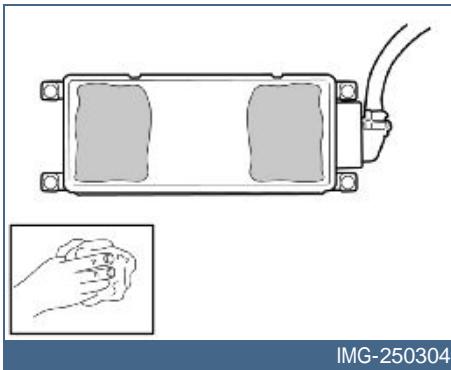


Installing the control module

- Connect the cable harness (1) to the control module.
- Lock the catch (2).

- Applies to right-hand drive cars:**
- steps 34-41 must not be mirrored.

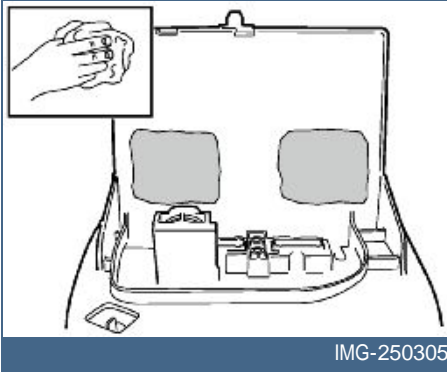
35



Installing the control module

- Clean the control module as illustrated. Use isopropanol.

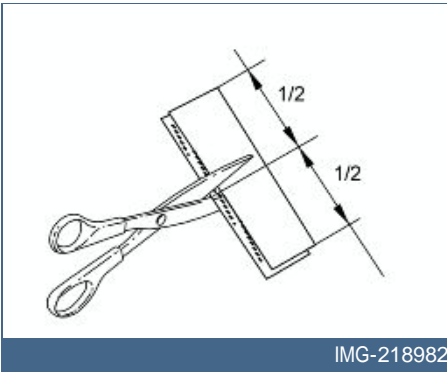
36



Installing the control module

- Clean the surrounding areas, as illustrated, underneath the detached A/C unit/radio bracket. Use isopropanol.

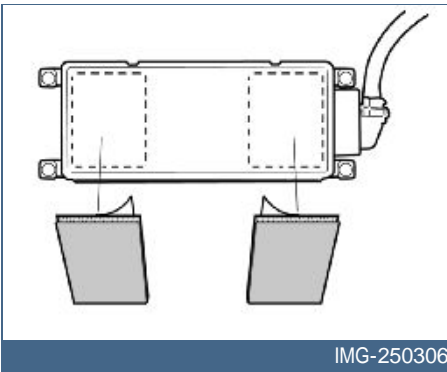
37



Installing the control module

- Take a Velcro strip and cut off two pieces of the same length
- Press the pieces together.
- Cut off two pieces of the same length again at the center.

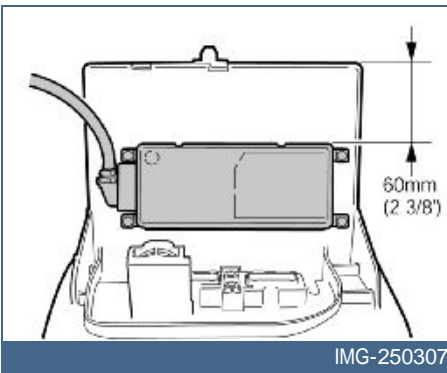
38



Installing the control module

- Remove the protective film from one side of the Velcro strips, which were pressed together.
- Apply the Velcro strips on the control module and press.

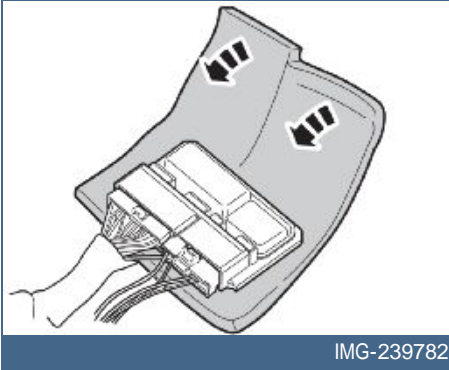
39



Installing the control module

- Remove the remaining protective file on the Velcro strips, align and install the control module as illustrated. Press onto the control module so that the tape adheres.

40



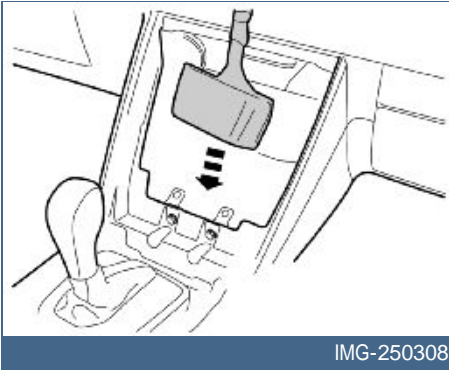
IMG-239782

Connecting

Steps 40-41 apply to cars with internal amplifier.

- Take the mute relay, two foam tape pieces and cable harness A from the kit.
- Connect the connectors from the cable harness to the relay.
- Tape the foam tape pieces around the relay.

41

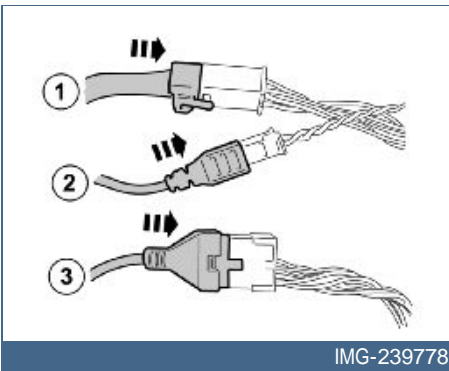


IMG-250308

Connecting

- Place the relay with the cable harness at the rear edge of the opening on the center console.

42



IMG-239778

Connecting

Applies to cars with internal amplifier

- 1. Connect cable harness A to the cable harness from the control module.

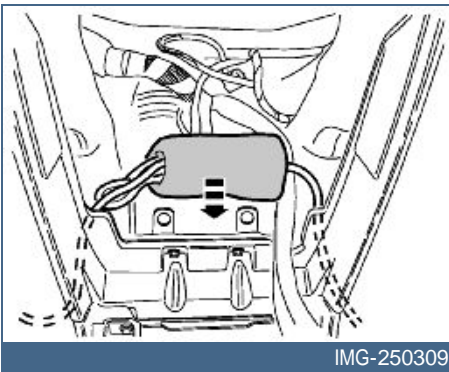
Applies to cars with external amplifier

- 1. Connect cable harness C to the cable harness from the control module.

Applies to all models

- 2. Connect the microphone
- 3. Connect the control panel
- Take one of the cut pieces of thin foam tape and tape around the connectors.

43

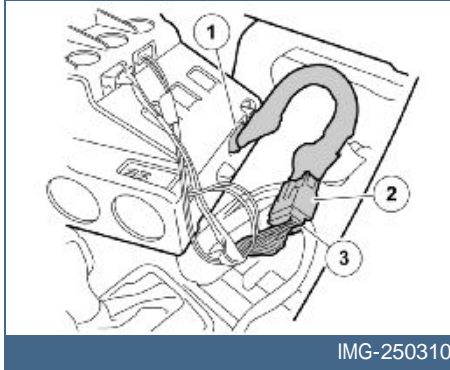


IMG-250309

Connecting

- Tape one cut piece of foam tape around the connectors.
- Place the connectors and excess cables in the bottom of the center console. Check that they do not rub against the bracket edges.

44

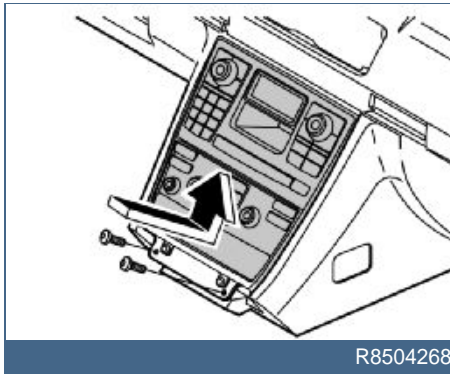


Connecting

Applies to cars with internal amplifier

- Connect the gray connector (1) in the new cable harness to the corresponding socket in the media player.
- Connect the gray connector (2) in the new cable harness to the gray connector (3) which was detached from the media player.
- Take one of the cut pieces of foam tape and tape around connectors (2) and (3).

45



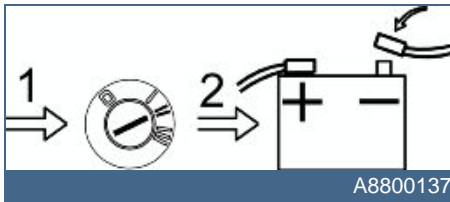
Connecting

- Plug in the connectors.
- Reinstall the radio/A/C unit by first hooking the upper edge into place. Then press upwards and angle in the lower section.

At the same time check that the cable to the control panel is correctly positioned (see image 33).

- If the radio/A/C unit does not fit at the rear edge, check for trapped wiring.
- Reinstall the screws.

46



Reinstall:

- panel for gear selector.
- A-pillar panel and screws and cover for grab handle.
- the rubber strips in the door opening.
- the end face panel for the dashboard.
- sound proofing panels.
- seat piece.
- the side panels on the center console.
- Turn the ignition key to position II.
- Reconnect the battery negative lead

Carry out a function check as follows:

- Turn the ignition key to position II.
- Turn on the radio.
- Check that the Bluetooth system's control panel lights up.
- Press the round button in the middle of the control panel. The radio should mute

and a voice should be heard.

- Press the button with the red handset symbol. The voice should stop and the radio sound.
-