

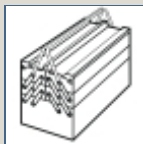


| S80 (-06) / V70 XC (01-) / XC70 (-07) / S60 / V70 (00-08) / XC90 / S40 (04-) / V50 | Section | Group | Weight (Kg/Pounds) | Year | Month |
|---|---------|-------|-----------------------|------|-------|
| | 8 | 89 | | 2000 | 07 |

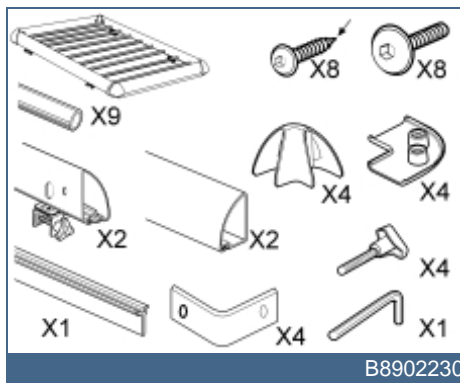
S40 (04-) 2004, S40 (04-) 2005, S40 (04-) 2006, S40 (04-) 2007, S40 (04-) 2008, S60 2001, S60 2002, S60 2003, S60 2004, S60 2005, S60 2006, S60 2007, S60 2008, S80 (-06) 1999, S80 (-06) 2000, S80 (-06) 2001, S80 (-06) 2002, S80 (-06) 2003, S80 (-06) 2004, S80 (-06) 2005, S80 (-06) 2006, V50 2004, V50 2005, V50 2006, V50 2007, V50 2008, V70 (00-08) 2000, V70 (00-08) 2001, V70 (00-08) 2002, V70 (00-08) 2003, V70 (00-08) 2004, V70 (00-08) 2005, V70 (00-08) 2006, V70 (00-08) 2007, V70 (00-08) 2008, V70 XC (01-) / XC70 (-07) 2001, V70 XC (01-) / XC70 (-07) 2002, V70 XC (01-) / XC70 (-07) 2003, V70 XC (01-) / XC70 (-07) 2004, V70 XC (01-) / XC70 (-07) 2005, V70 XC (01-) / XC70 (-07) 2006, V70 XC (01-) / XC70 (-07) 2007, XC90 2003, XC90 2004, XC90 2005, XC90 2006, XC90 2007, XC90 2008



Required tools



A0000162



Any comments on this publication? Please contact your nearest dealer. Thank you!

| |
|---|
| Publication no: MA 8622610, Issue: 2000-07 |
| Comments:..... |
| From:..... |
| Address:..... |
| Telephone no:..... |
| Telefax:..... |



INTRODUCTION

- **NOTE! Read through the entire text before carrying out any work.**
- The front page gives the date of this edition and the edition it replaces
- The second page shows the tools needed for the installation and the contents of the installation kit
- The illustrations display the procedure in order of operation. The order of operation is repeated in the text section
- Cut out the text page in order to follow the illustrations and text at the same time.