

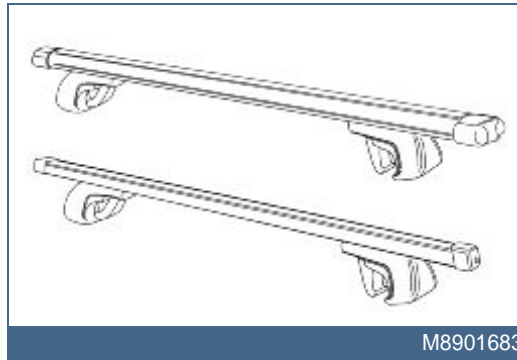


V70 (00-08) / XC90 / V50

| Section | Group | Weight(Kg/Pounds) | Year | Month |
|---------|-------|-------------------|------|-------|
| 8 | 89 | | 2003 | 09 |

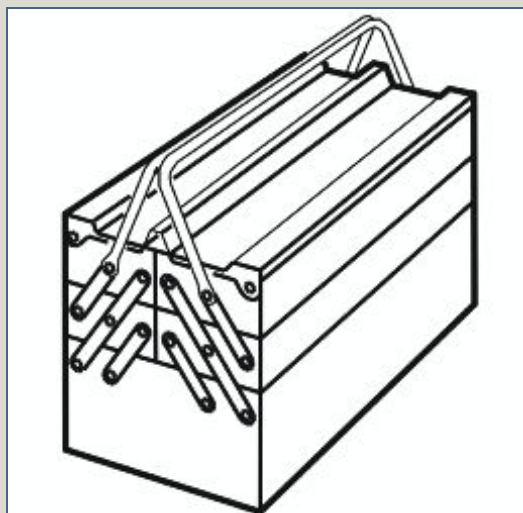
V50 2004, V50 2005, V50 2006, V50 2007, V50 2008, V50 2009, V50 2010, V70 (00-08) 2000, V70 (00-08) 2001, V70 (00-08) 2002, V70 (00-08) 2003, V70 (00-08) 2004, V70 (00-08) 2005, V70 (00-08) 2006, V70 (00-08) 2007, V70 (00-08) 2008, XC90 2003, XC90 2004, XC90 2005, XC90 2006, XC90 2007, XC90 2008, XC90 2009, XC90 2010

Replaces
issue: 2001 11

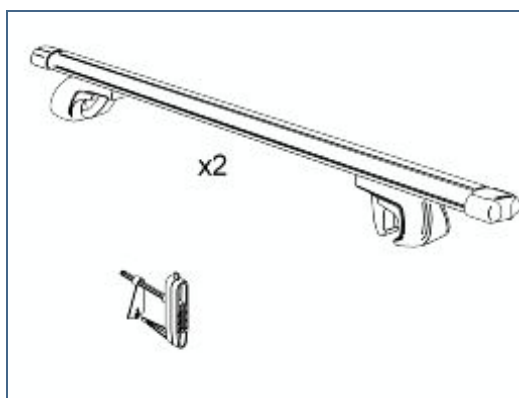




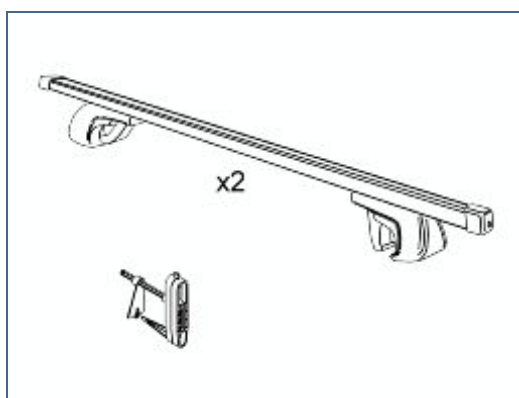
Required tools



A0000162



M8902358



M8902357



Any comments on this publication? Please contact your nearest dealer. Thank you!

| |
|--|
| Publication no: MA 9172589, Issue: 2003-09 |
| Comments:..... |
| From:..... |
| Address:..... |
| Telephone no:..... |
| Telefax:..... |



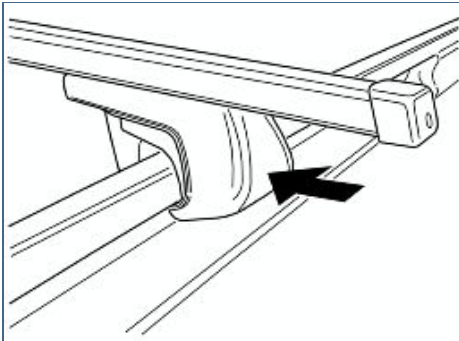
Введение

Load carriers for rails

- **ВНИМАНИЕ!** Прежде чем приступить к работе прочтите всю инструкцию по монтажу.
- На первой странице вы найдете дату данного издания и то, какое издание оно заменяет.
- На второй странице показан инструмент, необходимый для монтажа и содержимое монтажного набора.
- В разделе иллюстрация описан порядок выполнения действий. Порядок выполнения действий приведен также в текстовом разделе.
- Вырежьте страницу с текстом, чтобы было легче следить одновременно за текстом и иллюстрацией.



1A

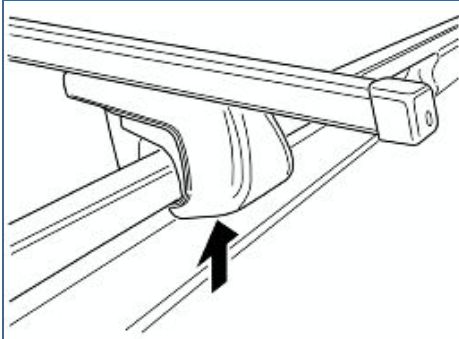


M8901685

Applies to both types of load carriers

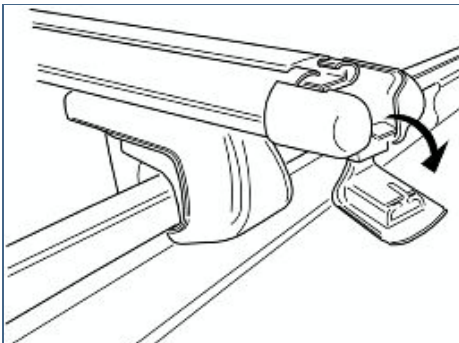
- Position the load carrier on the rails for the car. Ensure that the load carrier is symmetrical. (Positioned so that the ends protrude the same distance from the mountings on both sides)
- Adjust the position of the load carrier before mounting. Press the mountings inwards and upwards as illustrated.

1B



M8901723

2A



M8901687

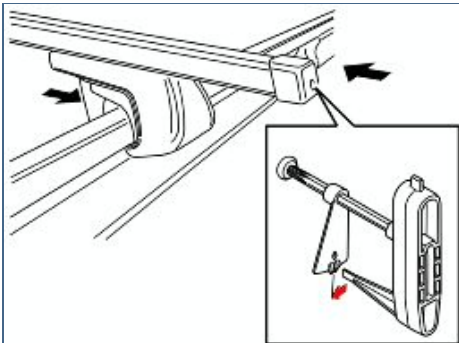
Illustration A applies to load carriers with T-grooves

- Open the cover on the end of the load carrier to access the screw.

Illustration B applies to both types of load carriers

- Insert a torque wrench in the end of the load carrier. Tighten until the mountings encircle the rails
- Repeat the operation on the other mountings.

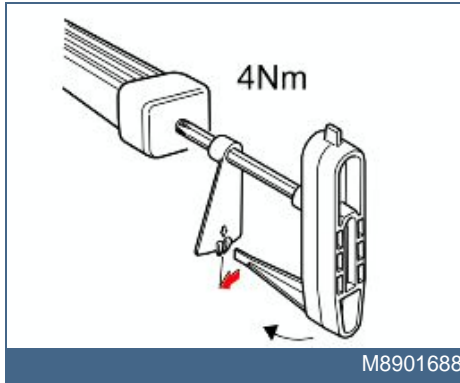
2B



M8901686



3



Applies to both types of load carriers

- Tighten the screws in the ends of the load carriers until the indicator on the wrench handle is in between the two markings. The correct torque of **4 Nm (3 lbf.ft.)** has then been reached.

4

Applies to load carriers with T-grooves

- Fold the cover back into place on the end.