



## S80 (-06) / S60 / V70 (00-08) / XC90

Section	Group	Weight(Kg/Pounds)	Year	Month
8	87		2004	10

S60 2001, S60 2002, S60 2003, S60 2004, S60 2005, S60 2006, S60 2007, S60 2008, S80 (-06) 1999, S80 (-06) 2000, S80 (-06) 2001, S80 (-06) 2002, S80 (-06) 2003, S80 (-06) 2004, S80 (-06) 2005, S80 (-06) 2006, V70 (00-08) 2000, V70 (00-08) 2001, V70 (00-08) 2002, V70 (00-08) 2003, V70 (00-08) 2004, V70 (00-08) 2005, V70 (00-08) 2006, V70 (00-08) 2007, V70 (00-08) 2008, XC90 2003, XC90 2004, XC90 2005, XC90 2006, XC90 2007, XC90 2008



## Required tools

Any comments on this publication? Please contact your nearest dealer. Thank you!

Publication no: MA30738900, Issue: 2004-10
Comments:..... ..... ..... ..... ..... ..... .....
From:.....
Address:.....
Telephone no:.....
Telefax:.....



## INTRODUCTION

## Location of decals

- **NOTE! Read through the entire text before carrying out any work.**
- The front page gives the date of this edition and the edition it replaces
- The second page shows the tools needed for the installation and the contents of the installation kit
- The illustrations display the procedure in order of operation. The order of operation is repeated in the text section
- Cut out the text page in order to follow the illustrations and text at the same time.

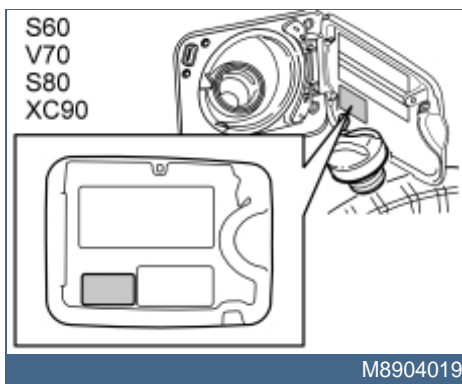


1A

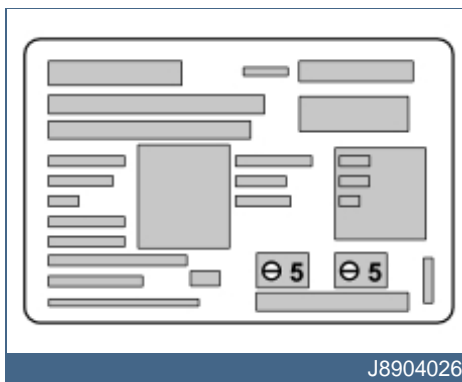


Inside fuel tank filler flap

1B



2A

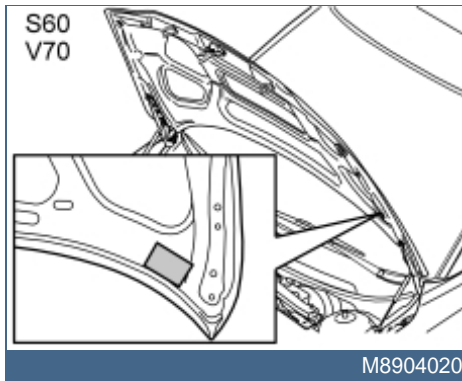


Underside of bonnet

If there is already a decal on the heater:

Remove the decal from the heater and secure it at the specified location under the bonnet.

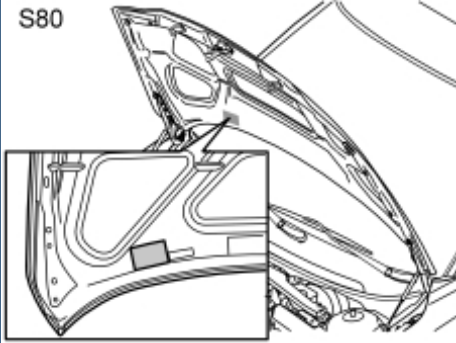
2B





2C

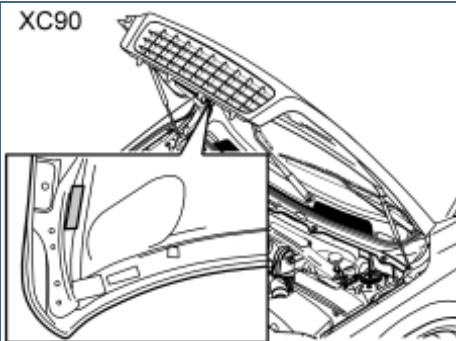
S80



D8904021

2D

XC90



R8904022