

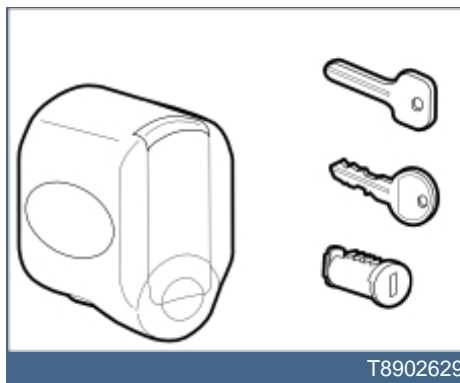


	Section	Group	Weight(Kg/Pounds)	Year	Month
V70 XC (01-) / XC70 (-07) / V70 (00-08) / XC90	8	89		2002	01

Car Configurations, S60 2003, V70 (00-08) 2000, V70 (00-08) 2001, V70 (00-08) 2002, V70 (00-08) 2003, V70 (00-08) 2004, V70 XC (01-) / XC70 (-07) 2001, V70 XC (01-) / XC70 (-07) 2002, V70 XC (01-) / XC70 (-07) 2003, V70 XC (01-) / XC70 (-07) 2004, XC90 2003, XC90 2004



Required tools



T8902629



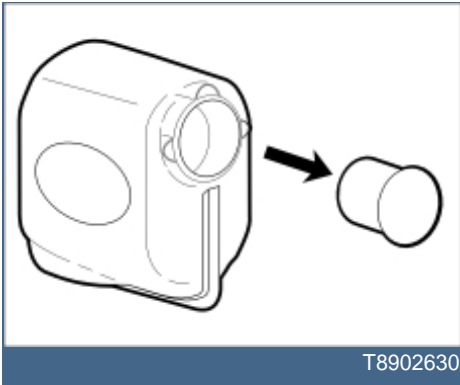
INTRODUCTION

Lock, Hitch

- **NOTE! Read through the entire text before carrying out any work.**
- The front page gives the date of this edition and the edition it replaces
- The second page shows the tools needed for the installation and the contents of the installation kit
- The illustrations display the procedure in order of operation. The order of operation is repeated in the text section
- Cut out the text page in order to follow the illustrations and text at the same time.

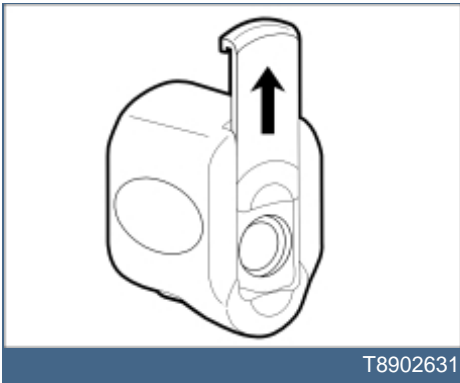


1



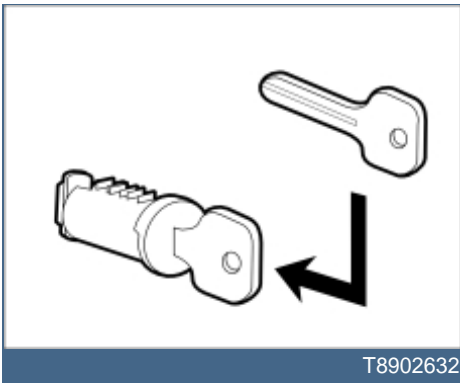
T8902630

2



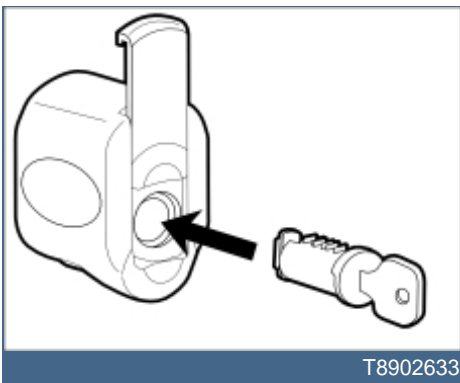
T8902631

3



T8902632

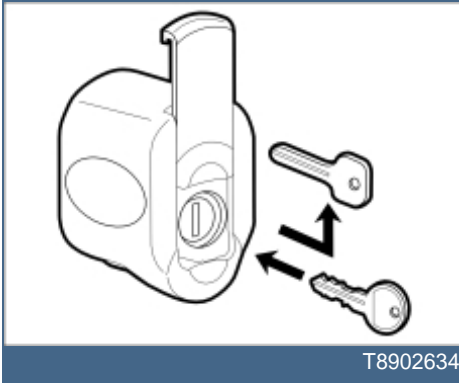
4



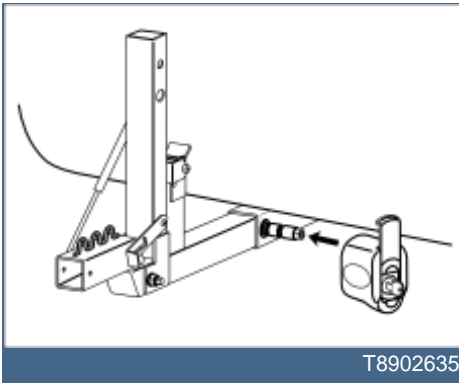
T8902633



5



6



7

