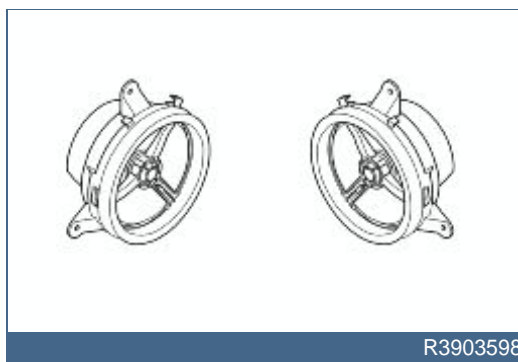




XC90

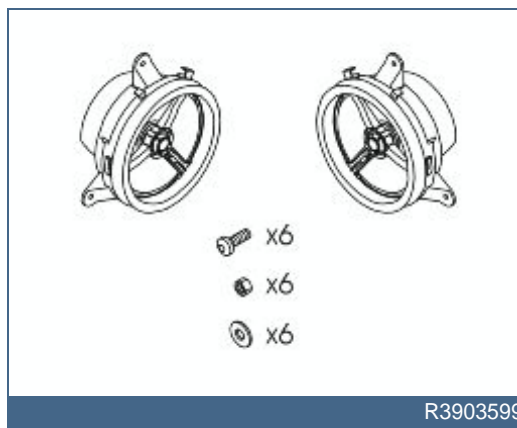
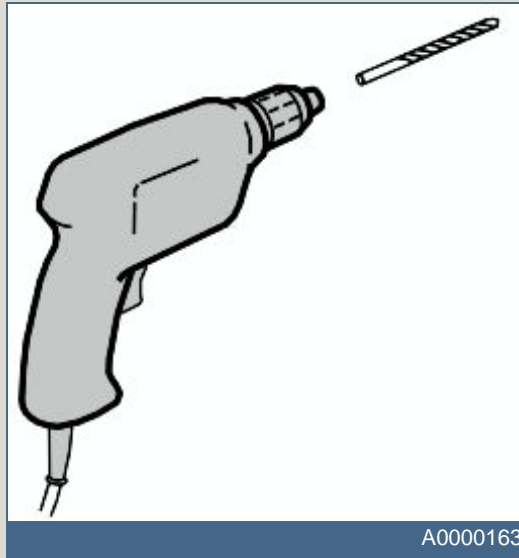
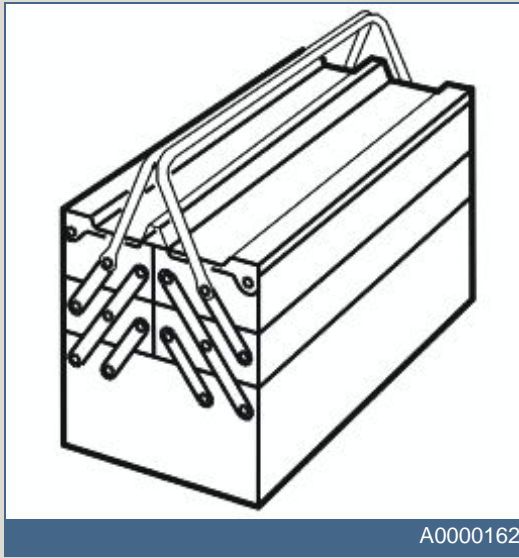
Section	Group	Weight(Kg/Pounds)	Year	Month
3	39		2001	11

XC90 2003, XC90 2004, XC90 2005, XC90 2006, XC90 2007, XC90 2008, XC90 2009, XC90 2010





Required tools





Any comments on this publication? Please contact your nearest dealer. Thank you!

Publication no: MA 9162274, Issue: 2001-11
Comments:.....
From:.....
Address:.....
Telephone no:.....
Telefax:.....



INTRODUCTION

Loudspeaker, rear door

- **NOTE! Read through the whole installation instruction before starting the work.**
- The front page gives the date of this edition and the edition it replaces
- The second page shows the tools needed for the installation and the contents of the installation kit
- The illustrations display the procedure in order of operation. The order of operation is repeated in the text section
- Cut out the text page in order to follow the illustrations and text at the same time.



1A

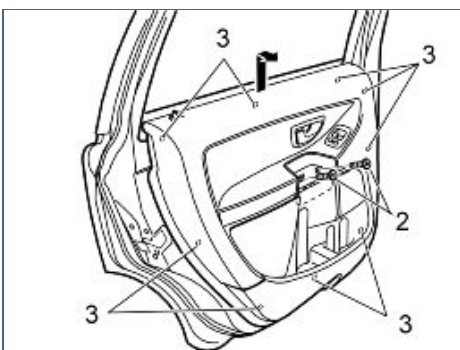


R8504079

Illustration A

- Remove the upper panel on the door handle. First insert a small screwdriver in the hole (1) in the lower section of the panel and press the catch on the inside at the same time as pulling the top edge of the panel upwards. If necessary use a plastic weatherstrip tool to pry up the top edge of the cover.

1B

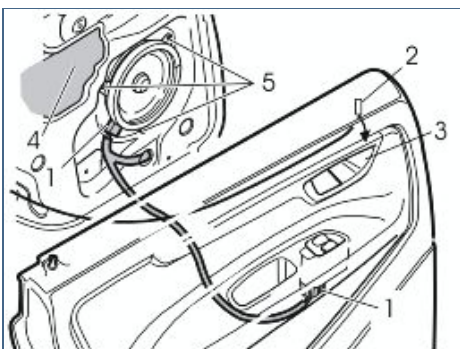


R8504022

Illustration B

- Remove the two screws (2) from under the panel
- Carefully pry off the door panel using the weatherstrip tool. Start at the lower edge and pry opposite the clips (3).

2

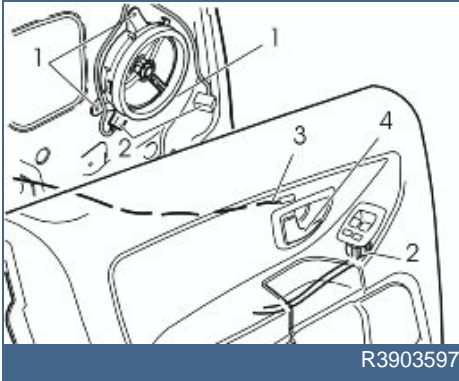


M3902989

- Disconnect the connector (1) from the door control module and from the existing loudspeaker
- Remove the wire (2) from the door opener handle (3). First bend up the catches
- Remove the panel
- Carefully remove the moisture inhibitor (4) at the front edge. This is carried out to install the nuts on the inside when installing the loudspeaker.
- Drill out the rivets (5) holding the loudspeakers. Use a **6 mm (1/4")** diameter drill bit
- Remove the loudspeakers and any rivet swarf from the holes. Remove the rivet sections from the door if necessary.



3



- Screw the new loudspeaker into place using the screws, washers and the nuts from the kit (1). The washers must be positioned under the screw heads
- Reinstall the moisture inhibitor
- Connect the connectors (2) to the loudspeaker and the module for the door controls
- Reinstall the mechanical cable (3) on the door opener handle (4)
- Reinstall the door panel, and the upper panel for the door handle.