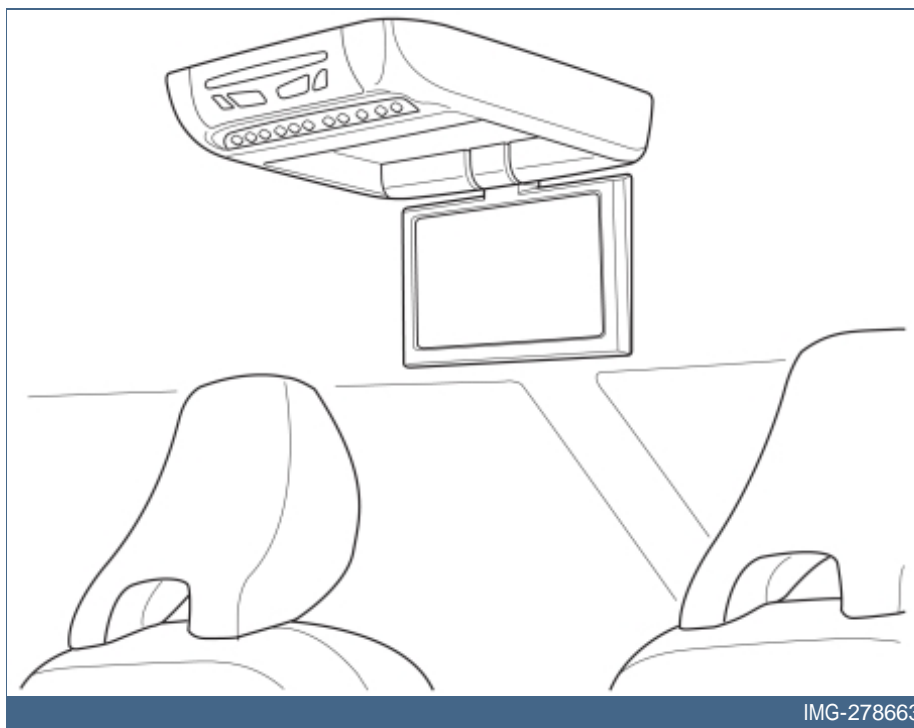




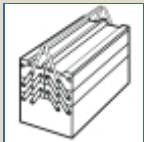
XC90

Section	Group	Weight(Kg/Pounds)	Year	Month
3	393	2.5 (5.5)	2007	09

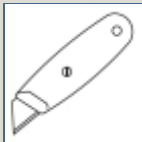




Required tools



A0000162



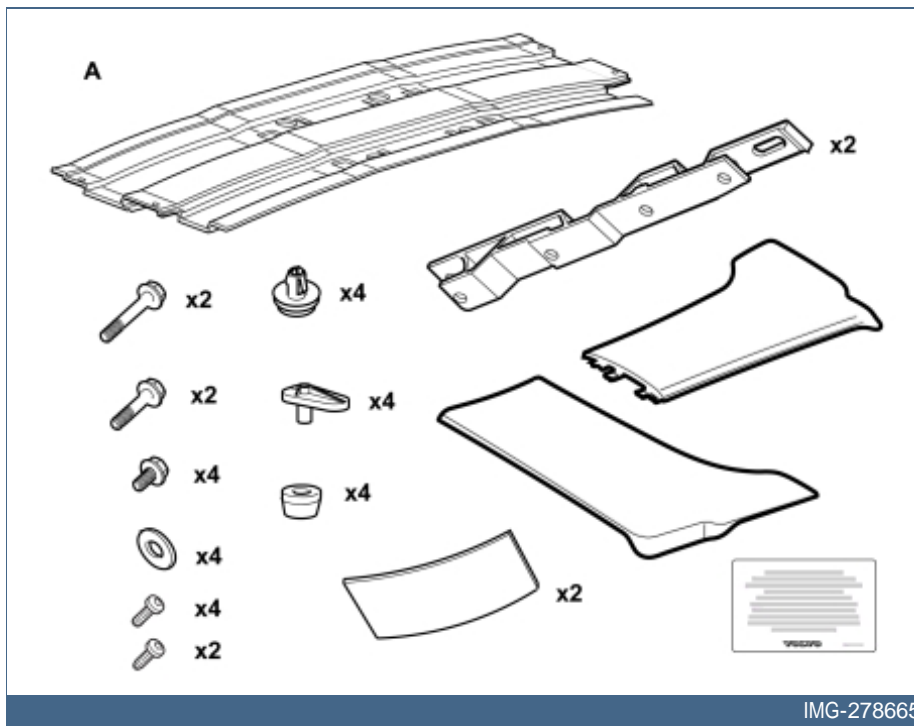
IMG-239980



Nm
lbf.ft
IMG-239664



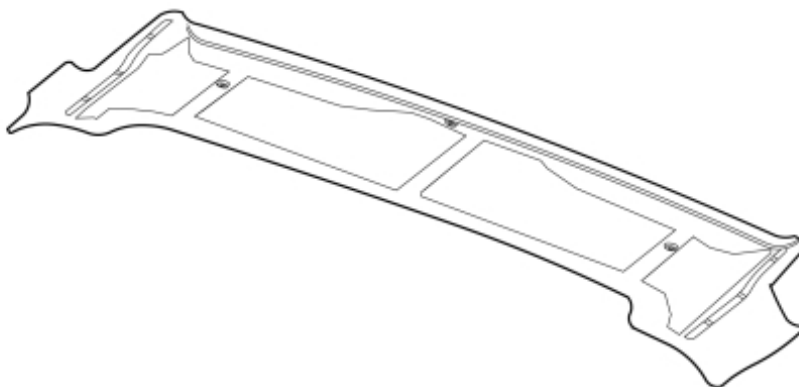
IMG-278664



IMG-278665

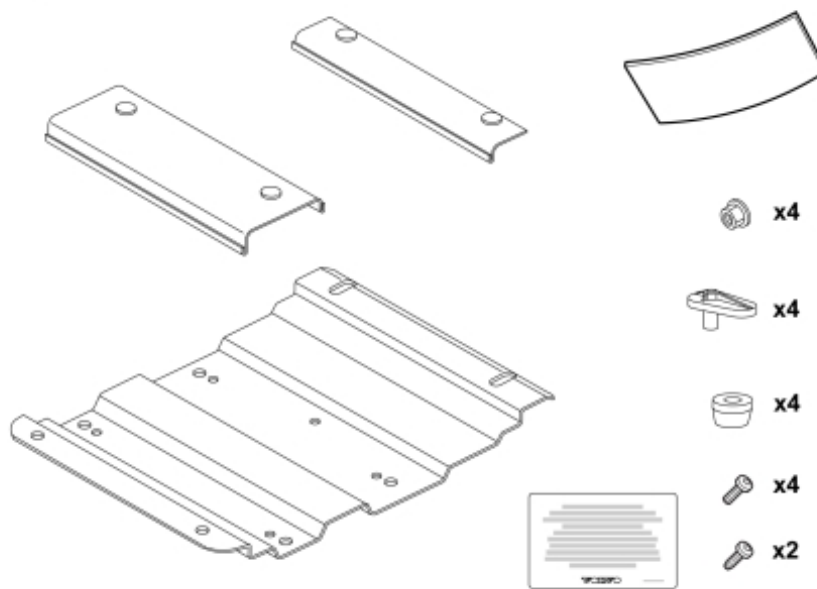


B



IMG-278666

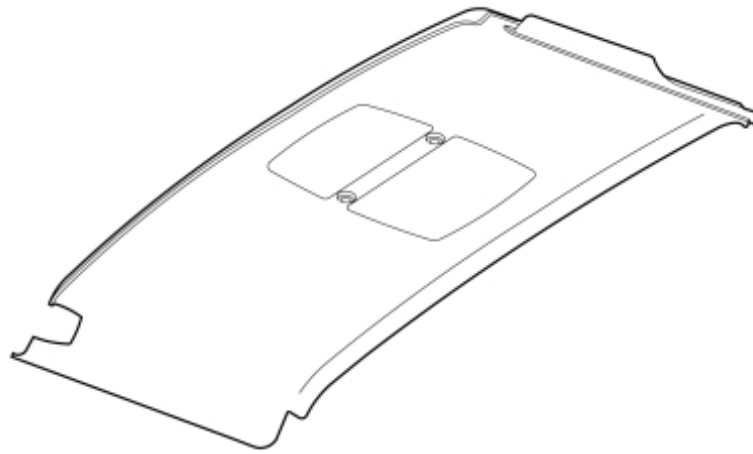
C



IMG-278667



D



IMG-278668

Any comments on this publication? Please contact your nearest retailer. Thank You!

Publ.no:	Issue:	Kit no:
Comments:.....		
.....		
.....		
.....		

From:	
Address:	
Telephone:	
Telefax:	

IMG-213320



INTRODUCTION

- **NOTE! Read through the entire text before carrying out any work.**
- The front page gives the date of this edition and the edition it replaces
- The second page shows the tools needed for the installation and the contents of the installation kit
- The illustrations display the procedure in order of operation. The order of operation is repeated in the text section
- Cut out the text page in order to follow the illustrations and text at the same time.

Multimedia monitor with DVD

Note!

Kits A and B apply to cars with a sunroof.

Kits C and D apply to cars without a sunroof.

Caution!

Take care when cutting the headlining. There is a risk of cutting off the cable harnesses and hose for the rear washer.

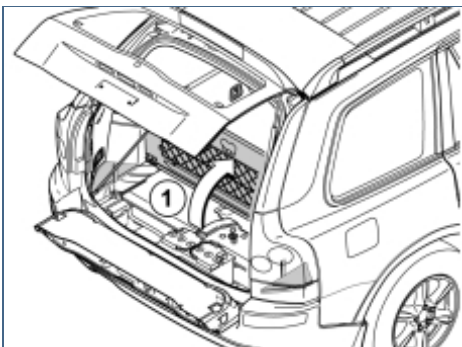
Only use a sharp utility knife or similar for cutting into the headlining. Replace the blade when it becomes blunt.

Warning!

Protect skin, eyes and respiratory tracts using appropriate protective equipment so that they are not exposed to loose roof material.



1

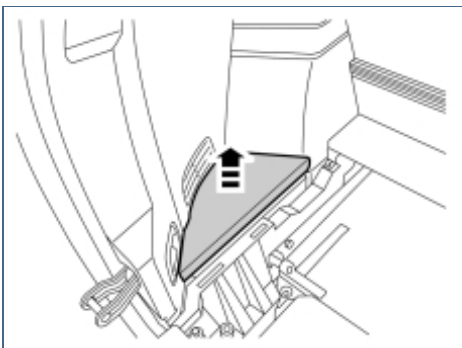


IMG-242240

Preparations

- Fold up the floor hatch (1).

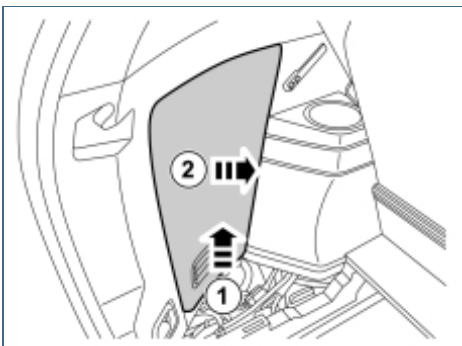
2



IMG-242241

- Remove the floor hatch on the right and left-hand side.

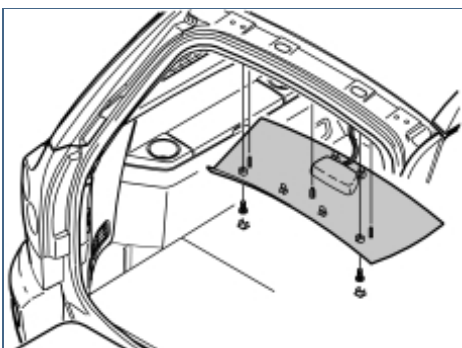
3



IMG-242242

- Remove the panel on the right and left-hand side.

4

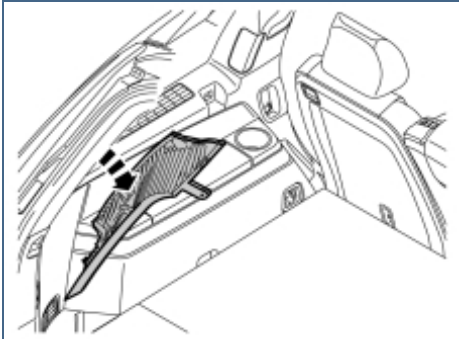


R8504201

- Remove the covers and the screws on the rear roof panel.
- Carefully pry off the panel at the rear edge. Use a weatherstrip tool.
- Pull the rear edge of the panel downwards until the four clips on the top release.
- Pull the panel backwards to release it.
- Unplug the connector for the lighting.



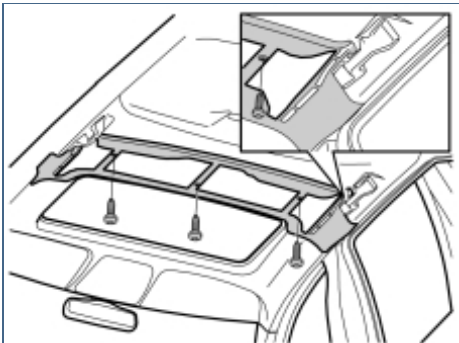
5



IMG-278783

- Carefully pull off the top edge of the left-hand D-post panel. Continue down until the three clips have released.
- Disconnect the connectors for any loudspeakers.
- Remove the panel by pulling upwards slightly and unhooking it from the side panel.

6



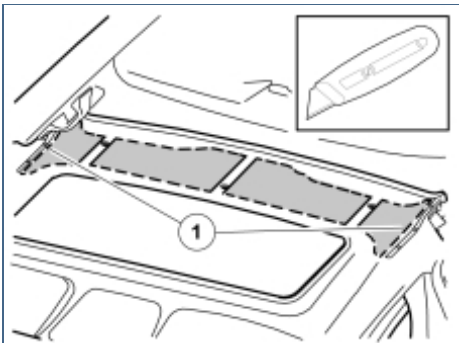
IMG-278670

Steps 6-29 apply to cars with a sunroof.
Cutting the headlining

- Take three **4.8x19mm** screws from the kit.

Install the hole template in position. Guide it up along the grab handles and secure it to the roof using the screws.

7



IMG-278669

Steps 6-29 apply to cars with a sunroof.

Note!

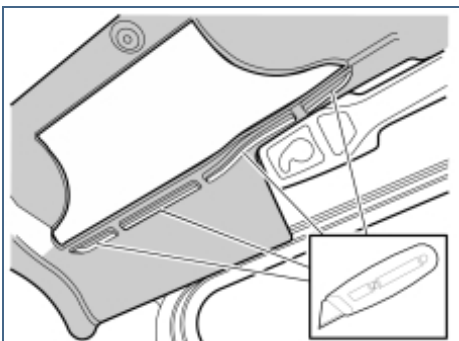
Ensure that the headlining for the sunroof is pulled forward.

- Cut through the headlining according to the dotted lines in the four large openings in the template.

Note!

When cutting the outside edges (1) of the template, the tip of the knife blade must point inwards, towards the middle of the car.

8



IMG-278671

Steps 6-29 apply to cars with a sunroof.

- Mark the headlining using a knife in the four narrow slits at the edge on each side of the template.

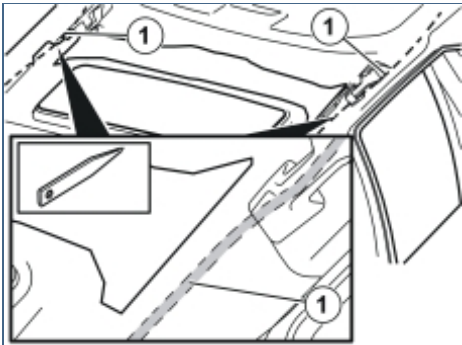
Caution!

Move the cable harnesses and hoses that are in these areas, before cutting through the headlining.

Remove the template and cut through the headlining at the parts between the four large openings, in order to remove a large portion of the headlining.



9

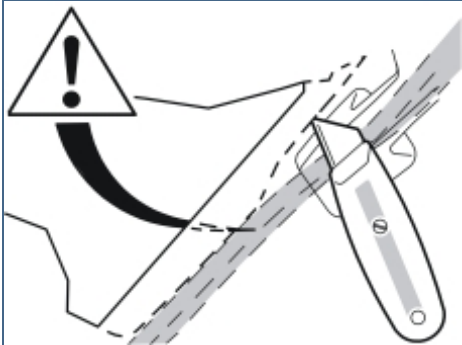


J3904662

Steps 6-29 apply to cars with a sunroof.

- Remove the wiring (1) that is bonded to the inside of the headlining on the right and left-hand sides of the car. Use a weatherstrip tool to pry the wiring away from the bonding.
- Press the wiring out towards the sides of the car.

10A



R3904987

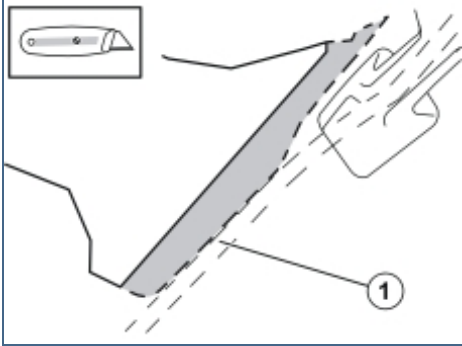
Steps 6-29 apply to cars with a sunroof.

Illustration A

Caution!

Take care when cutting away the side pieces of the headlining. There is a risk of cutting off the cable harnesses and the hose for the rear washer.

10B



R3904688

Illustration B

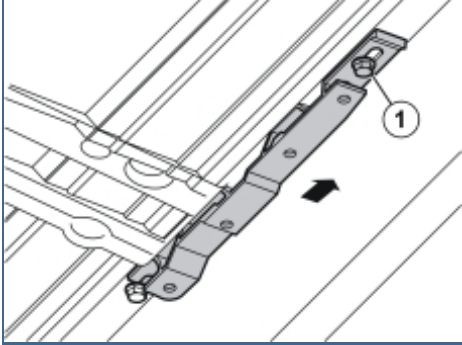
- Position a suitable piece of plastic to protect the wiring when cutting along the sides of the car.

Press in the cables (1) which are routed to the side. Protect them with the section of plastic and carefully cut away the last side piece which was marked with a pen earlier.

Caution!

Continuously check that the cable harnesses and hoses for the rear washer are not damaged.

11



R3904641

Steps 6-29 apply to cars with a sunroof.

Installing roof member brackets

Note!

Do not disturb the spacers located between the sun roof member and the roof. It can be difficult to locate the spacers in position again.

- Remove the rear screw (1) in the sunroof's right-hand mounting rail. Use a pair of pliers to pull it straight down from the hole. It is held in position by a plastic washer so significant force is required.

Note!

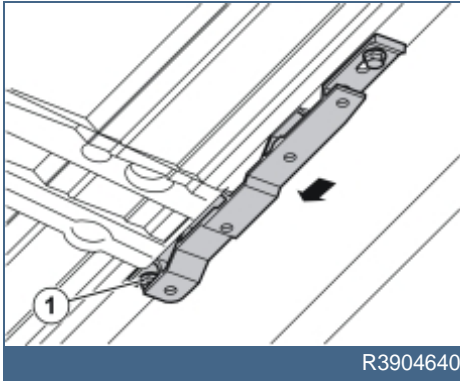
Make sure that the plastic washer and its spacer pipe do not fall out of position.

- Take the bracket, the **M6x40 mm** screw and the washer from the kit (kit illustration A). Install the bracket loosely, with the screw through the oval hole,



and slide it backwards.

12



Steps 6-29 apply to cars with a sunroof.

- Remove the front screw (1) in the same rail. Use pliers to pull it straight down through the hole. It is held in place by a plastic washer so some force is required.

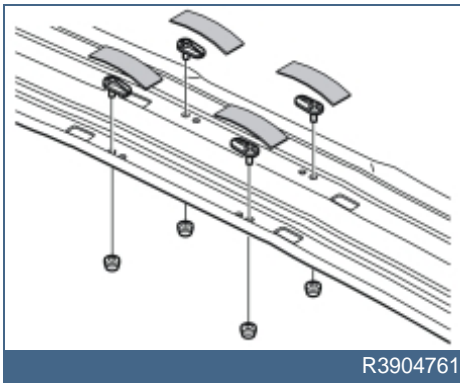
Note!

Make sure that the plastic washer and its spacer pipe do not fall out of position.

Slide the bracket forwards and secure it using a **M6x30 mm** screw and washer from the kit.

- Tighten both screws, torque tighten **10 Nm (7.5 lbf.ft.)**.
- Install the roof member bracket in the same way on the other side.

13



Steps 6-29 apply to cars with a sunroof.
Installing the roof member

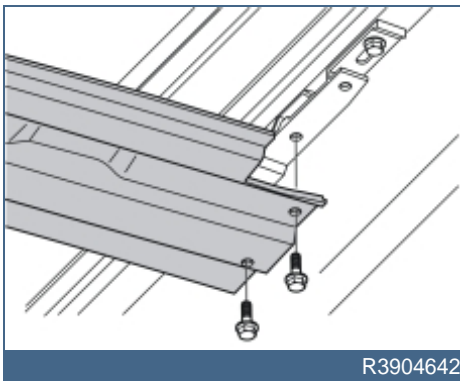
- Take the roof member, four plastic threaded plates and four spacer clips from the kit.

Note!

Volvo's logo on the member must be facing upwards.

- Install the threaded plates as illustrated.
- Install the spacer clips from the other side. Press hard so that they are properly secured to the threaded plates.
- Take a 140x70 mm piece of tape from the kit. Cut into four 35x70 mm pieces.
- Tape the threaded plates in position as illustrated.

14

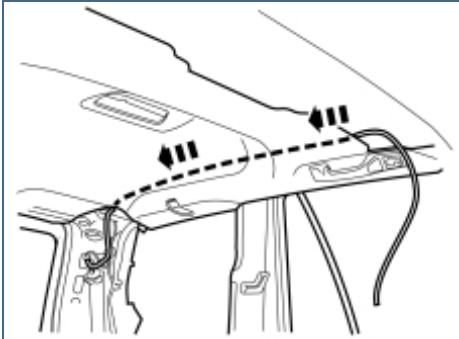


Steps 6-29 apply to cars with a sunroof.

- Insert the roof member, with the removed member ends pointing backwards, slightly under the rear headlining edge. Then slide the member forwards so that it is under the front headlining edge slightly. Work it into place at the screw holes.
- Take four **M6x14 mm** screws from the kit. Install the roof member in the newly installed brackets.
- Tighten the screws, torque tighten **10 Nm (7.5 lbf.ft.)**.



15



IMG-278723

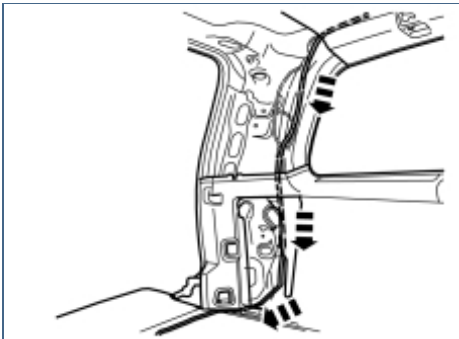
**Steps 6-29 apply to cars with a sunroof.
Installing the cable harness**

- Take the cable harness from the kit.

Insert a suitable piece of wire or similar (1300 mm in length) into the cut-out hole in the headlining, all the way to the left-hand D-post. Secure the end of the cable harness with the loose terminals in the wire.

- Route the end of the cable harness to the D-post and remove it from the wire.

16

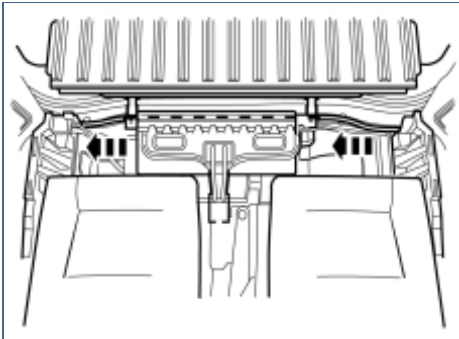


IMG-278724

Steps 6-29 apply to cars with a sunroof.

- Route the cable harness along the D-post down to the sill.

17

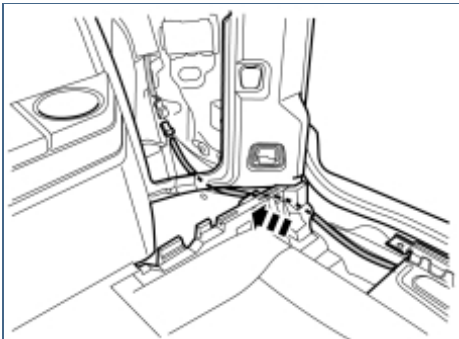


IMG-278725

Steps 6-29 apply to cars with a sunroof.

- Route the cable harness along the sill.

18



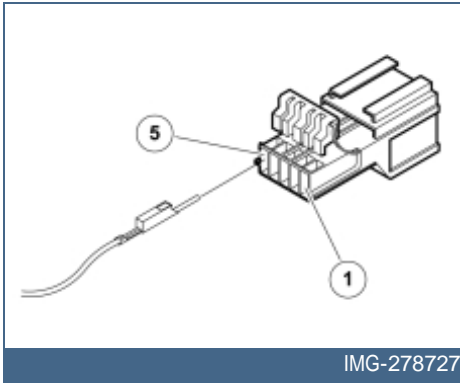
IMG-278726

Steps 6-29 apply to cars with a sunroof.

- Route the cable harness to the right-hand tail lamp.



19



IMG-278727

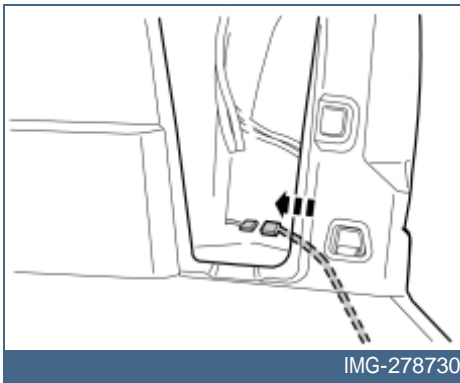
Steps 6-29 apply to cars with a sunroof.

- Take the green connector from the kit. Connect the terminals as follows:

Position	Cable
1	Red/White (R/W)
2	White (W)
3	Blue (BL)
4	
5	Black (SB)

- Close the catches.

20

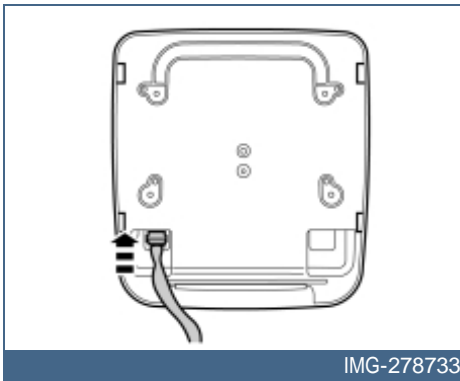


IMG-278730

Steps 6-29 apply to cars with a sunroof.

- Locate the existing 5-pin connector which is taped to the car's cable harness. Connect the connector to the routed cable harness.

21



IMG-278733

Steps 6-29 apply to cars with a sunroof.
Installation of the multimedia monitor with DVD

- Turn the ignition key to position I.
- Take the DVD unit from the kit and connect the routed connector.

Caution!

Handle the DVD unit with care and do not subject it to knocks.

22



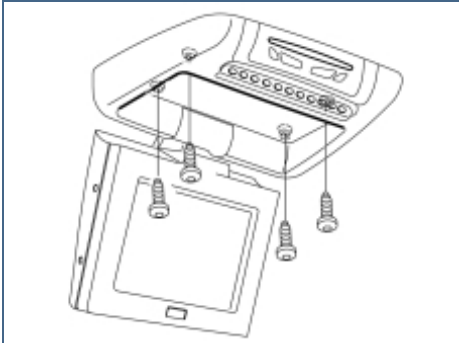
IMG-278734

Steps 6-29 apply to cars with a sunroof.

- Hold the DVD unit so that the display can be folded out without hindrance.
- Fold out the display by pressing the switch (1).
- Cut the current again by disconnecting the connector from the unit.
- Turn the ignition key to position 0.



23



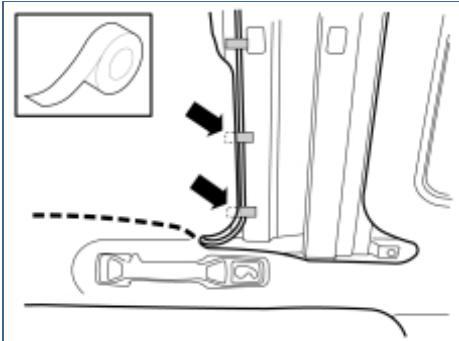
IMG-278735

Steps 6-29 apply to cars with a sunroof.

- Take four **PF4x25** screws from the kit.

Connect the connector to the DVD unit. Position the unit towards the middle of the roof member, guide the cutout in the unit to the spacers of the threaded plates. Install the unit loosely using screws. Leave **7 mm** between the unit and the member so that the cover panel can be installed.

24

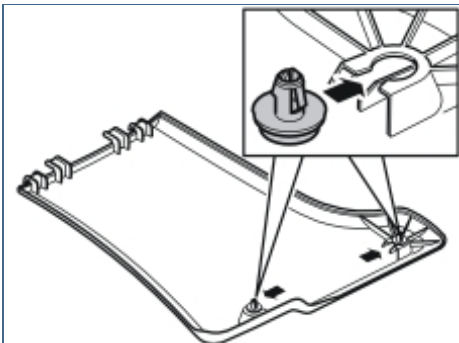


IMG-278736

Steps 6-29 apply to cars with a sunroof.

- Take a 140x70 mm piece of tape from the kit. Cut into three pieces.
- Install the cable harness at the rear edge of the member using two pieces of tape.

25

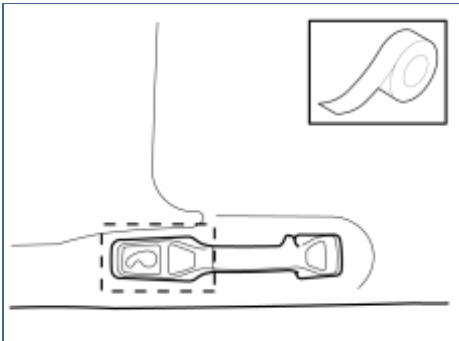


J3904751

Steps 6-29 apply to cars with a sunroof.
Installing the panels

- Take the panels for the roof member and the four plastic clips from the kit.
- Install the plastic clips on the cover panels.

26



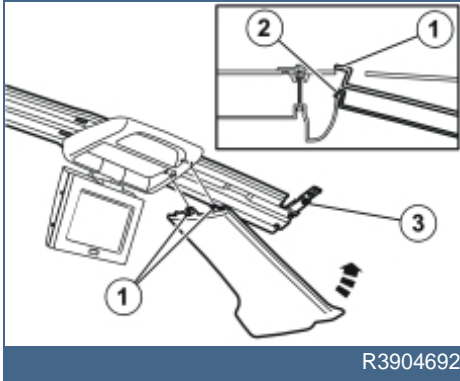
IMG-278737

Steps 6-29 apply to cars with a sunroof.

- Tape both handles to protect them when installing the cover panels.



27



R3904692

Steps 6-29 apply to cars with a sunroof.

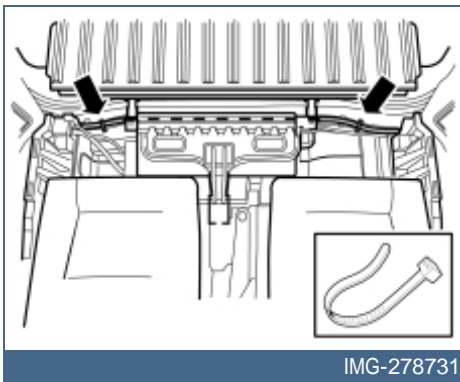
- Insert the cover panel hooks into the roof member's cut-out (1) and above the DVD unit (2). Bend down the panel in the middle, move it up over the handle and press the plastic clips into the holes (3) of the brackets.

Note!

Do not damage the grab handle when sliding the headlining panel into position.

- Screw the DVD unit into place.
- Continue with point 49.

28

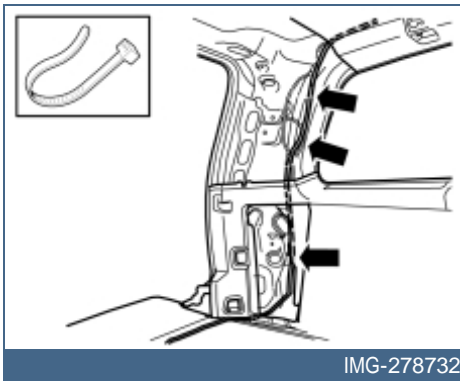


IMG-278731

Steps 6-29 apply to cars with a sunroof.

- Secure the cable harness using two cable ties in the existing cable harness.

29

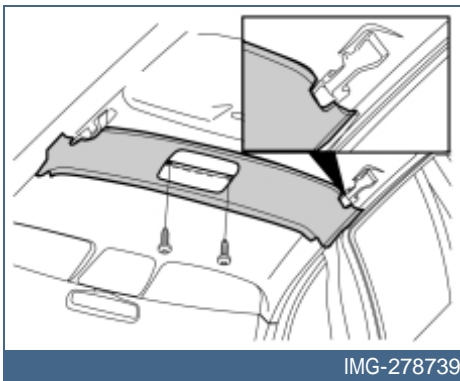


IMG-278732

Steps 6-29 apply to cars with a sunroof.

- Secure the cable harness using three cable ties along the D-post panel.

30



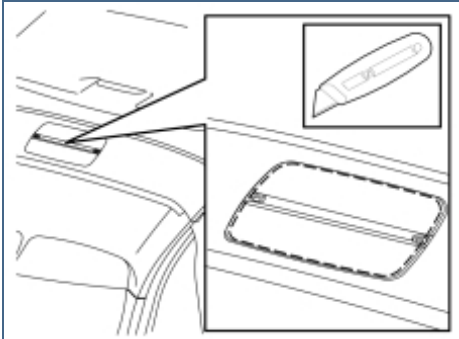
IMG-278739

Steps 30-48 apply to cars without a sunroof.

- Take two **4.8x13 mm** screws from the kit.
- Install the hole template in position. Guide it up along the grab handles and secure it to the roof using the screws.



31



IMG-278740

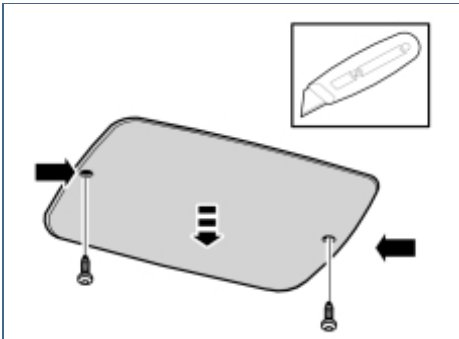
Steps 30-48 apply to cars without a sunroof.

- Cut out the headlining along the hole template's inner contours (dotted line) using utility knife or similar.

Note!

Use a sharp knife. This applies to all cutting of the headlining.

32

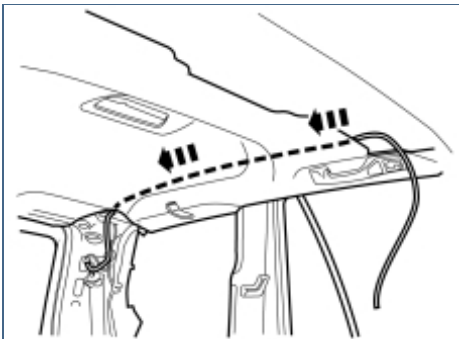


IMG-278741

Steps 30-48 apply to cars without a sunroof.

- Remove the screws and template.
- Cut out the remains and remove the piece from the headlining.

33



IMG-278723

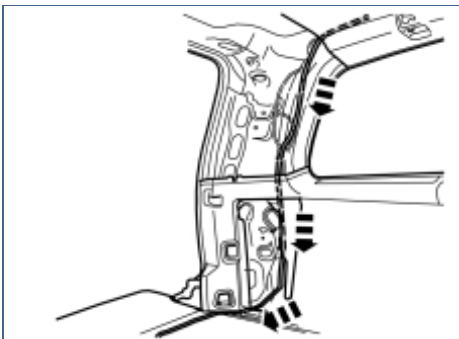
Steps 30-48 apply to cars without a sunroof.

- Take the cable harness from the kit.

Insert a suitable piece of wire or similar (1300 mm in length) into the cut-out hole in the headlining, all the way to the left-hand D-post. Secure the end of the cable harness with the loose terminals in the wire.

- Route the end of the cable harness to the D-post and remove it from the wire.

34



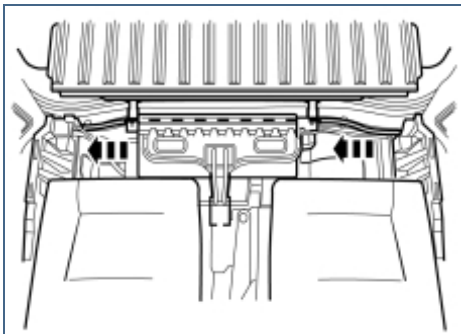
IMG-278724

Steps 30-48 apply to cars without a sunroof.

- Route the cable harness along the D-post down to the sill.



35

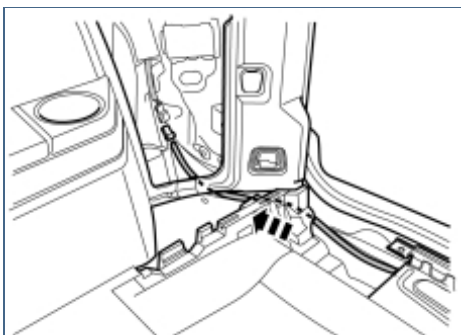


IMG-278725

Steps 30-48 apply to cars without a sunroof.

- Route the cable harness along the sill.

36

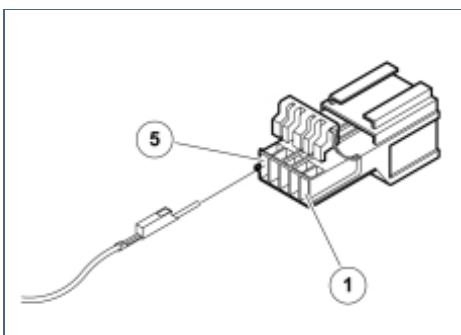


IMG-278726

Steps 30-48 apply to cars without a sunroof.

- Route the cable harness to the right-hand tail lamp.

37



IMG-278727

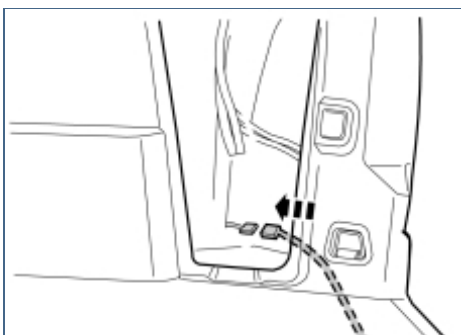
Steps 30-48 apply to cars without a sunroof.

- Take the green connector from the kit. Connect the terminals as follows:

Position	Cable
1	Red/White (R/W)
2	White (W)
3	Blue (BL)
4	
5	Black (SB)

- Close the catches.

38



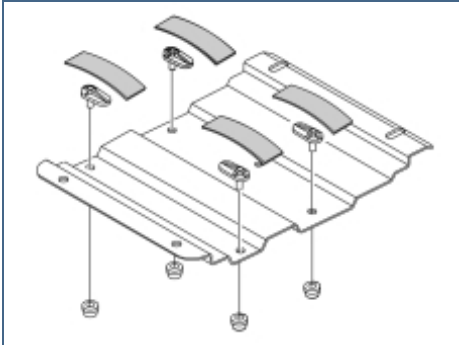
IMG-278730

Steps 30-48 apply to cars without a sunroof.

- Locate the existing 5-pin connector which is taped to the car's cable harness. Connect the connector to the routed cable harness.



39

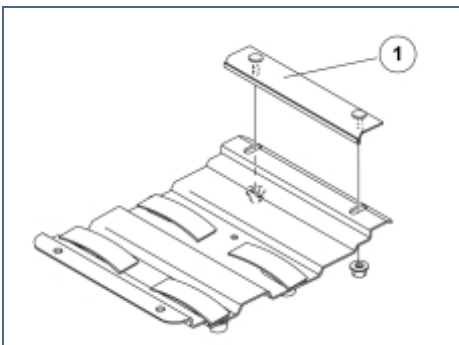


IMG-278742

Steps 30-48 apply to cars without a sunroof.

- Take the roof member, four plastic threaded plates and four spacer clips from the kit.
- Install the threaded plates as illustrated.
- Install the spacer clips from the other side, so that they are properly secured to the threaded plates.
- Take a 140x70 mm piece of tape from the kit. Cut into four 35x70 mm pieces.
- Tape the threaded plates in position as illustrated.

40

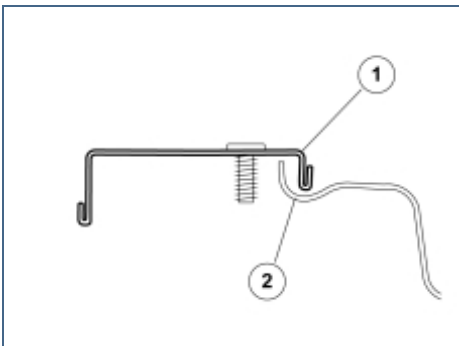


IMG-278743

Steps 30-48 apply to cars without a sunroof.

- Take the narrow bracket clamp and two nuts from the kit. Install the bracket clamp (1) on the angled side of the bracket and install the nuts.
- Slide the narrow bracket clamp so that it is as far out as possible in the slit holes. Rest the clamp on the angled surface. Tighten the nuts by hand.

41



IMG-278763

Steps 30-48 apply to cars without a sunroof.

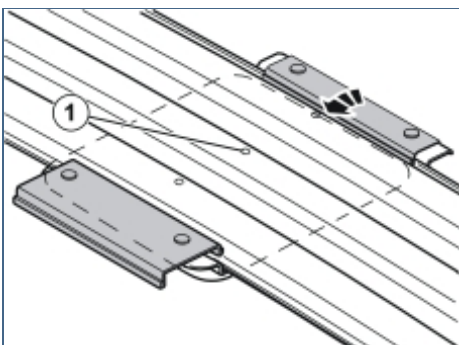
Use suitable blocks or similar to make space between roof and headlining.

- Take the wide bracket clamp from the kit and insert the smaller angles edge into the headlining's hole, on the rear side of the roof member. Work the bracket clamp (1) into place, so that it rests above the roof member's (2) and headlining's edges with the screws downwards.

Note!

The less folded edge must be positioned above the edge of the roof member.

42



R3904648

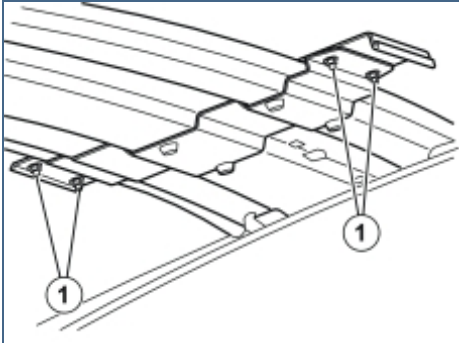
Steps 30-48 apply to cars without a sunroof.

- Insert the bracket in the cut-out hole with the narrow bracket clamp pointing forwards.
- Unscrew the nuts holding the narrow bracket clamp. Slide the clamp over the edge of the roof member so that it hooks into place. Tighten the nuts so that the bracket remains attached.
- Lift up the rear end of the bracket. Align the screws for the suspended wide bracket clamp in the holes in the bracket. Screw in two nuts from the kit. Finger tighten.



- Check that both clamps on the bracket are correctly positioned around the roof member.
- Adjust the position of the bracket so that its hole is aligned with the hole in the roof member (1).

43

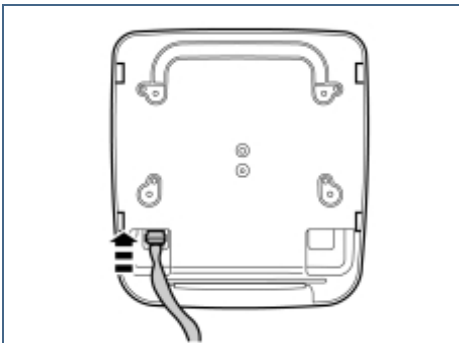


R3904649

Steps 30-48 apply to cars without a sunroof.

- Tighten the four nuts (1) for the bracket clamps so that the bracket is securely mounted. Work the bracket and further tighten if there is any play.

44



IMG-278733

Steps 30-48 apply to cars without a sunroof.

- Turn the ignition key to position I.
- Take the DVD unit from the kit and connect the routed connector.

Caution!

Handle the DVD unit with care and do not subject it to knocks.

45



IMG-278734

Steps 30-48 apply to cars without a sunroof.

- Hold the unit so that the display can be folded out without hindrance.
- Fold out the display by pressing the switch (1).
- Cut the current by disconnecting the connector from the unit.
- Turn the ignition key to position 0.



46



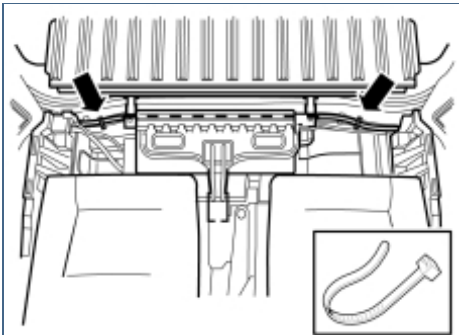
IMG-278735

Steps 30-48 apply to cars without a sunroof.

- Take four **PF4x25** screws from the kit.

Connect the connector to the DVD unit. Lift the unit towards the roof and at the same time push in the cable excess. Position the unit towards the middle of the bracket, guide the cut-out in the unit to the spacers of the threaded plates. Install the unit using the screws.

47

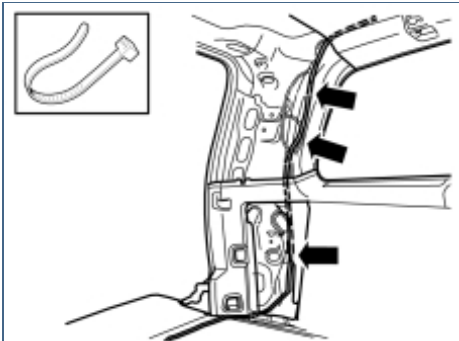


IMG-278731

Steps 30-48 apply to cars without a sunroof.

- Secure the cable harness using two cable ties in the existing cable harness.

48

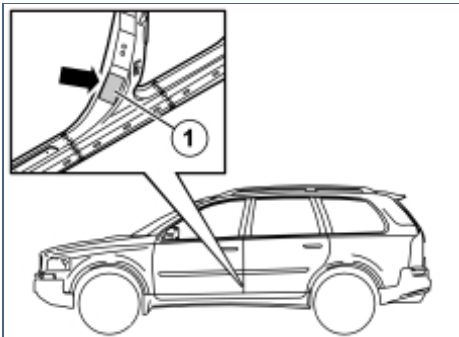


IMG-278732

Steps 30-48 apply to cars without a sunroof.

- Secure the cable harness using three cable ties along the D-post panel.

49



R8903555

Applies to all models

- Take the decal from the kit. Clean the area (1) where the decal is to be positioned using isopropanol.
- Pull off the protective paper from the adhesive side of the label and attach the label as illustrated. Press the label securely into place.

Reinstall:

- Panels in the cargo compartment.
- the headlining panel in the cargo compartment
- floor hatches in the cargo compartment.

Vacuum clean and clean away roof material and other waste from the car.



Functionality check

- Follow the instructions in the manual to check the system.
-