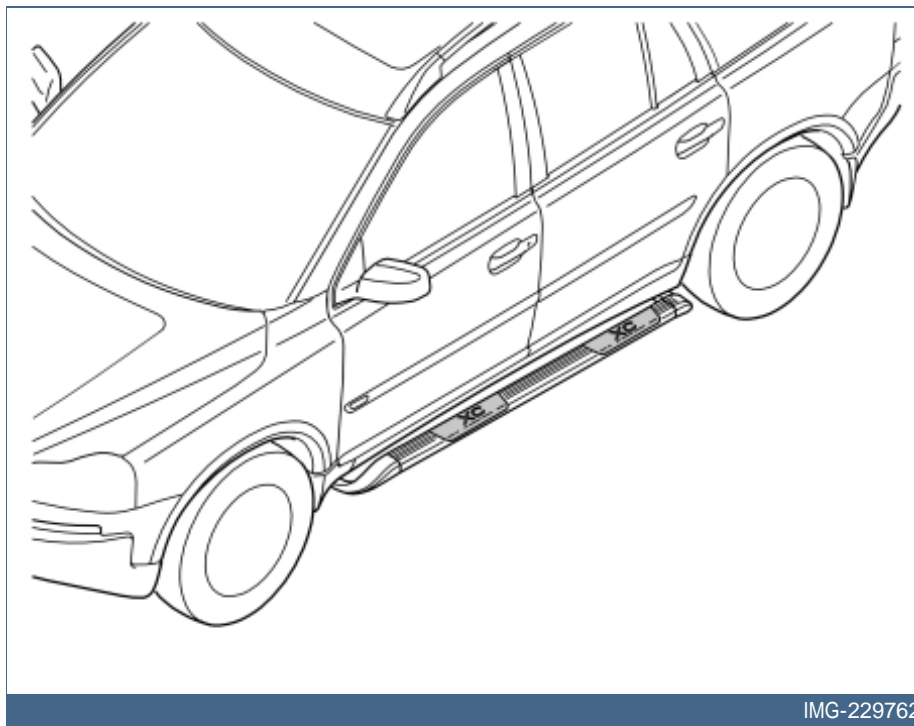




## XC90

Section	Group	Weight(Kg/Pounds)	Year	Month
8	89	1/2.2	2005	11



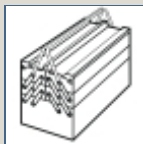
IMG-229762

# Installation instructions, accessories - Running board, Foot step

Volvo Car Corporation Göteborg, Sweden



## Required tools



A0000162



M0000276



A0000214



A0000177



IMG-229761

Any comments on this publication? Please contact your nearest retailer. Thank You!

Publ.no:	Issue:	Kit no:
Comments:.....		
.....		
.....		
.....		

From:	
Address:	
Telephone:	
Telefax:	

IMG-213320





## INTRODUCTION

- **NOTE! Read through the entire text before carrying out any work.**
- The front page gives the date of this edition and the edition it replaces
- The second page shows the tools needed for the installation and the contents of the installation kit
- The illustrations display the procedure in order of operation. The order of operation is repeated in the text section
- Cut out the text page in order to follow the illustrations and text at the same time.

## Running board, Foot step

### Note!

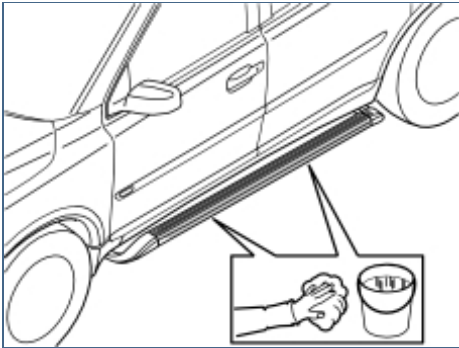
During installation the underlying surface must be kept at a temperature of at least +15°C (59°F).

Do not wash the car within 48 hours after installation is completed.

Allow the car to remain inside for at least two hours after installation is completed if outside temperature is less than +15°C (59°F).



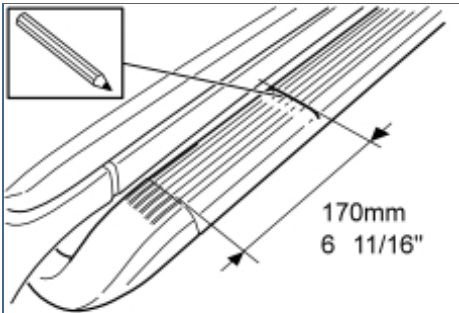
1



IMG-229765

- Wash the running board clean on the top and along the sides.
- In addition, wash the adjacent surfaces on the lower section of the body if they are dirty.
- Wipe dry.

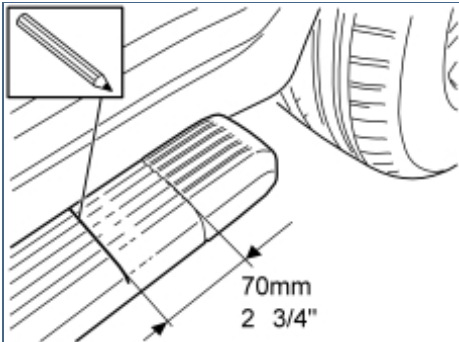
2



IMG-229766

- Measure **170 mm (6 11/16")** from the front joint between the running board profile and the mounting as illustrated.
- Mark with pencil.

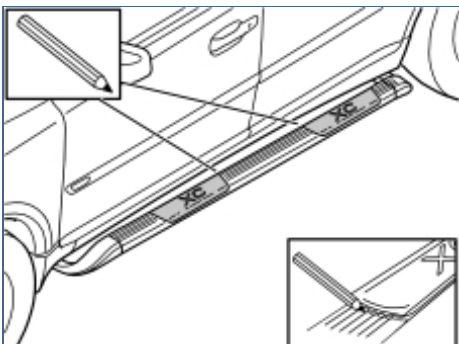
3



IMG-229767

- Measure **70 mm (2 3/4")** from the rear joint between the running board profile and the mounting as illustrated.
- Mark with pencil.

4

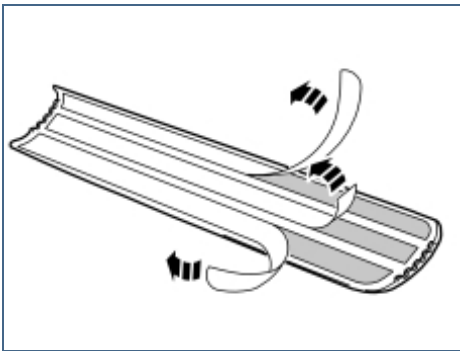


IMG-229768

- Align the foot steps to the running board with the outer edge at the pencil markings and in toward the centre of the running board as illustrated.
- Check that the foot step is correctly aligned and draw around it with a whiteboard pen.



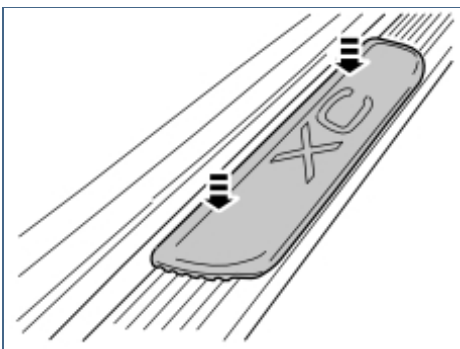
5



IMG-229772

- Remove the protective film from the three strips of tape.

6



IMG-229773

- Hold the foot step slightly above the running board, inside the markings drawn. Align the foot step in relation to the running board and check that the cut-outs in the foot step are opposite the raised areas in the running board.
- Lower the foot step and press it firmly into the running board.

**Note!**

Take care with the fit as the tape on the underside of the foot step adheres immediately on contact with the surface.

- Repeat the above for both sides and for all foot steps.
- Wash away the markings.