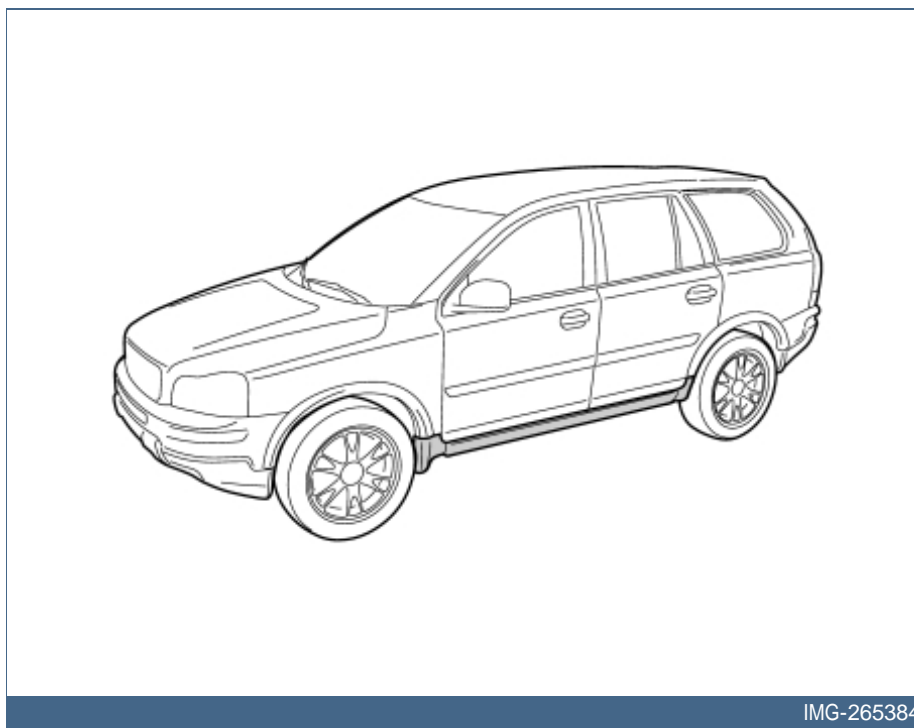




XC90

Section	Group	Weight(Kg/Pounds)	Year	Month
8	863	6 (13.2)	2007	01

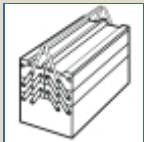


Installation instructions, accessories - Sill decor

Volvo Car Corporation Göteborg, Sweden



Required tools



A0000162

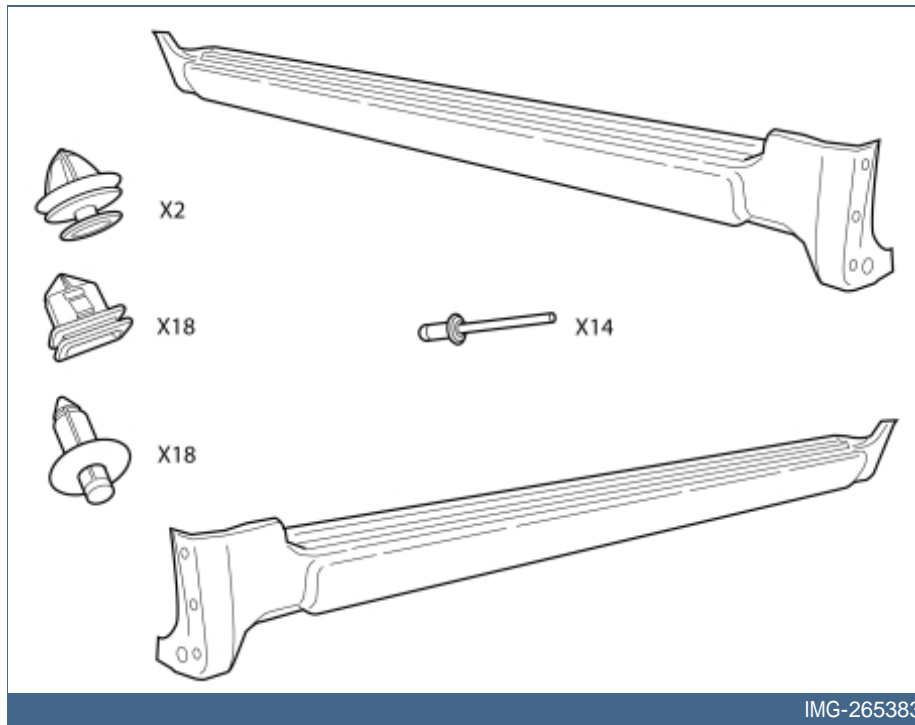


IMG-239660



Nm
lbf.ft

IMG-239664



IMG-265383

Any comments on this publication? Please contact your nearest retailer. Thank You!

Publ.no:	Issue:	Kit no:
Comments:.....		
.....		
.....		
.....		

From:	
Address:	
Telephone:	
Telefax:	

IMG-213320





INTRODUCTION

Sill decor

- **NOTE! Read through the entire text before carrying out any work.**
- The front page gives the date of this edition and the edition it replaces
- The second page shows the tools needed for the installation and the contents of the installation kit
- The illustrations display the procedure in order of operation. The order of operation is repeated in the text section
- Cut out the text page in order to follow the illustrations and text at the same time.



1

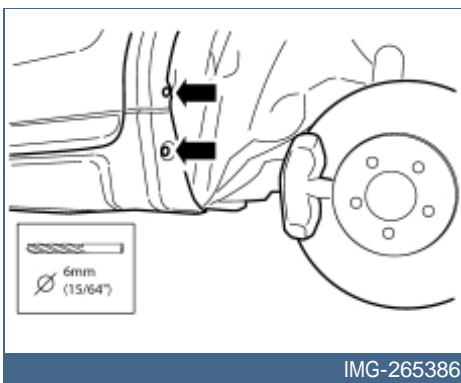


IMG-265385

Preparations

- Remove the front and rear wheels on one side.

2

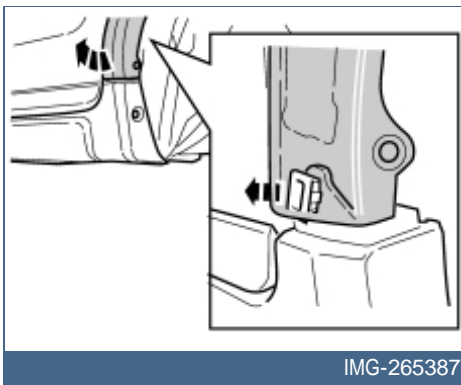


IMG-265386

Preparations

- Drill out the pop rivet at the rear edge of the door sill panel and the rear pop rivet in the wing extender. Use a **Ø6 mm (15/64")** drill bit.
- Remove any swarf and rivet residue.

3



IMG-265387

Preparations

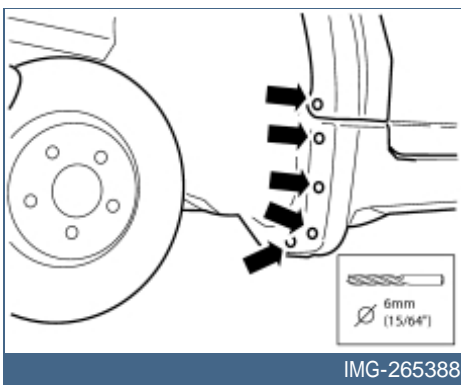
- Carefully turn out the lower edge/rear edge of the front end of the wing extender.

Note!

Do not turn excessively so that the tape at the front edge detaches.

- Remove the clip holding the rear end of the door sill panel.

4



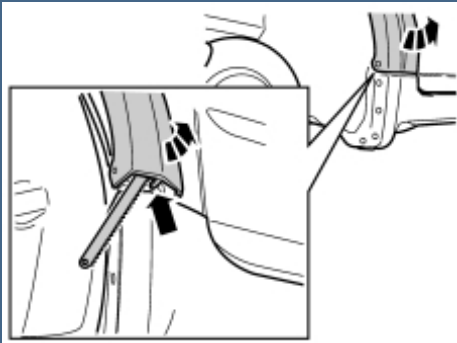
IMG-265388

Preparations

- Drill out the pop rivets at the front edge of the door sill panel and in the rear edge of the wing extender. Use a **Ø6 mm (15/64")** drill bit.
- Remove any swarf and rivet residue.



5



IMG-265389

Preparations

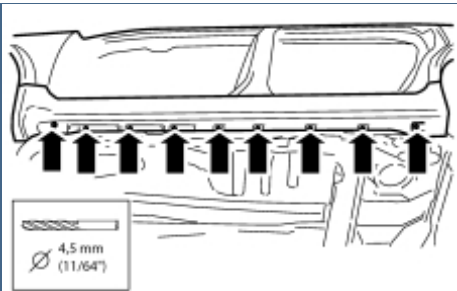
- Carefully turn out the lower edge/rear edge of the wing extender to make room to saw off the pin in the lower edge of the panel on the inside.

Note!

Do not turn excessively so that the tape at the front edge detaches.

- Carefully cut off the pin on the panel. Use part of a hacksaw blade.

6

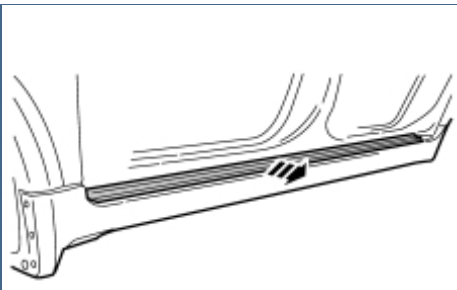


IMG-265390

Preparations

- Drill out the central pins in the clips at the lower edge of the door sill panel and remove them. Use a $\text{Ø}4.5 \text{ mm}$ (11/64")

7

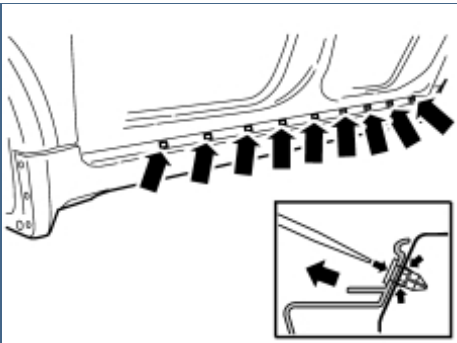


IMG-265391

Preparations

- Remove the rubber strip.

8



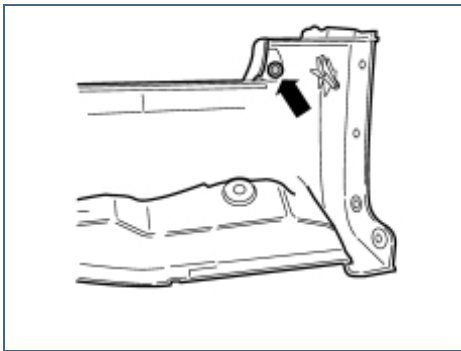
IMG-265392

Preparations

- Insert a large flat-bladed screwdriver, press the bottom of the clips and pull off the door sill panel with the clips.



9

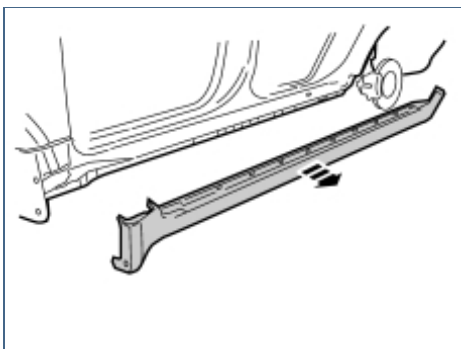


IMG-265393

Preparations

- Detach the door sill panel's front end. It is secured by a clip.

10

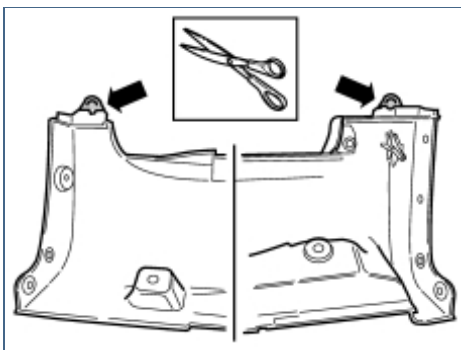


IMG-265394

Preparations

- Remove the panel from the body. It will not be reused.

11

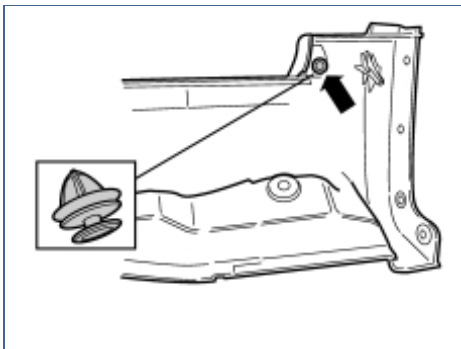


IMG-265395

Installation

- Take a new panel from the kit. Cut off the mounting eyelets on top of the upper sides.

12



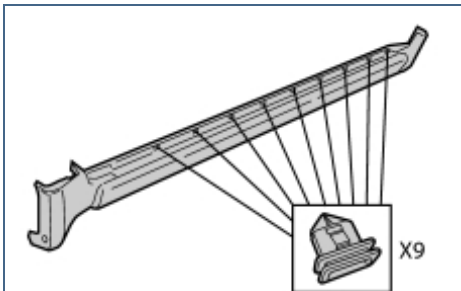
IMG-265396

Installation

- Install a new clip.



13

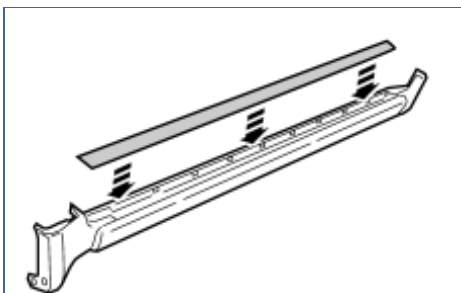


IMG-265397

Installation

- Install new clips.

14

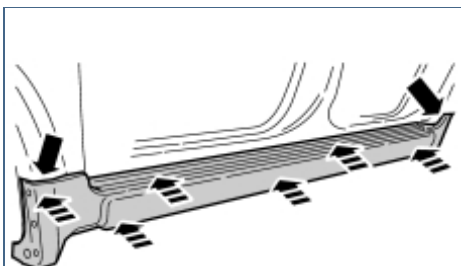


IMG-265398

Installation

- Press the rubber strip onto the new panel.

15

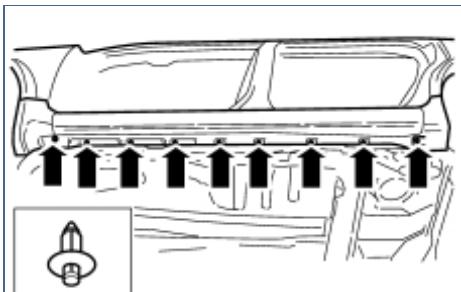


IMG-265399

Installation

- Align the door sill panel ends under the wing extenders.
- Press the front section clips into place.
- Press the panel with the rubber strip along the body side. Ensure that all clips engage and that the rubber strip is correctly positioned.

16



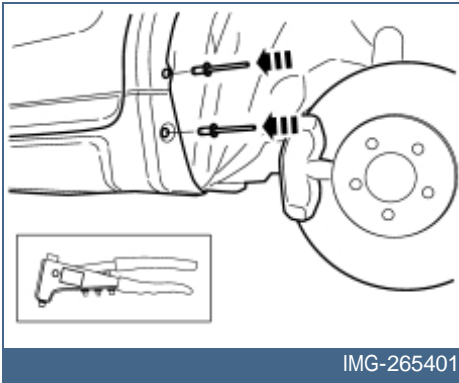
IMG-265400

Installation

- Press the panel into place in the lower edge using new clips.



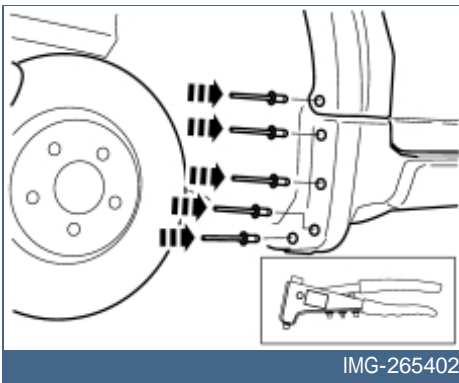
17



Installation

- Pop rivet the panels into place.

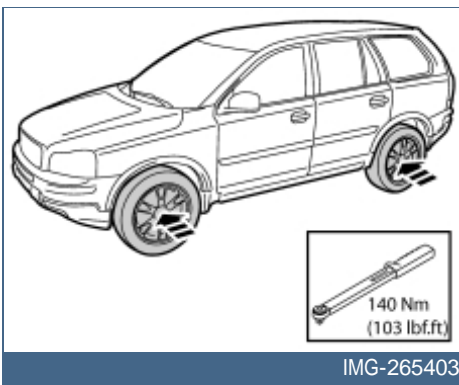
18



Installation

- Pop rivet the panels into place.

19



Installation

- Reinstall the front and rear wheels.
- Repeat all steps for the other side.