



	Section	Group	Weight(Kg/Pounds)	Year	Month
V70 XC (01-) / XC70 (-07) / V70 (00-08) / XC90	8	89		2001	05

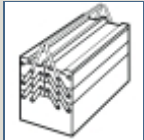
V70 (00-08) 2000, V70 (00-08) 2001, V70 (00-08) 2002, V70 (00-08) 2003, V70 (00-08) 2004, V70 XC (01-) / XC70 (-07) 2001, V70 XC (01-) / XC70 (-07) 2002, V70 XC (01-) / XC70 (-07) 2003, V70 XC (01-) / XC70 (-07) 2004, XC90 2003, XC90 2004

Installation instructions, accessories - Ski holder, hitch

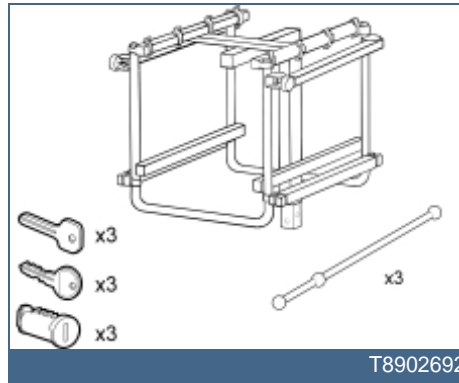
Volvo Car Corporation Göteborg, Sweden



Required tools



A0000162



T8902692

Any comments on this publication? Please contact your nearest dealer. Thank you!

Publication no: MA 8682232, Issue: 2001-11
Comments:.....
From:.....
Address:.....
Telephone no:.....
Telefax:.....



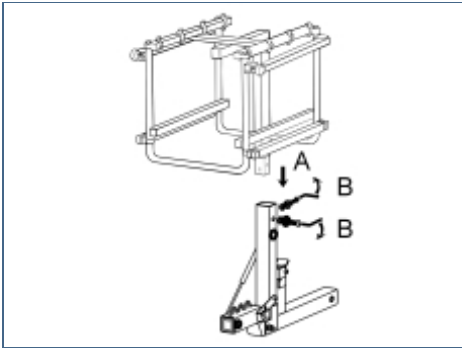
INTRODUCTION

Ski holder, hitch

- **NOTE! Read through the entire text before carrying out any work.**
- The front page gives the date of this edition and the edition it replaces
- The second page shows the tools needed for the installation and the contents of the installation kit
- The illustrations display the procedure in order of operation. The order of operation is repeated in the text section
- Cut out the text page in order to follow the illustrations and text at the same time.



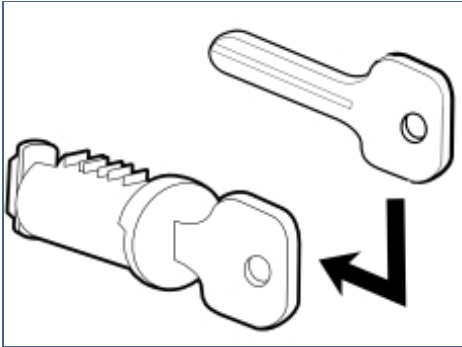
1



T8902581

- Install the ski holder in the square section pipe on the base unit
- Tighten the ski holder using the two screws, the sprung washers and the flat washers from the base unit kit.

2A



T8902595

Illustrations A-D show how to install the lock cylinders and how to lock the ski holder

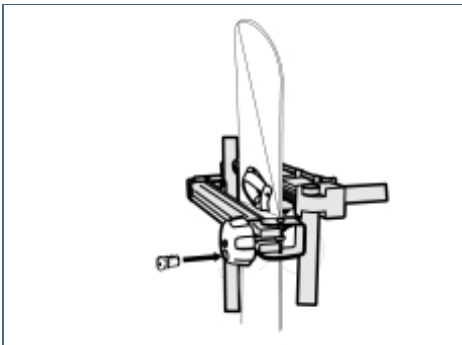
Illustration A

Illustration B

Illustration C

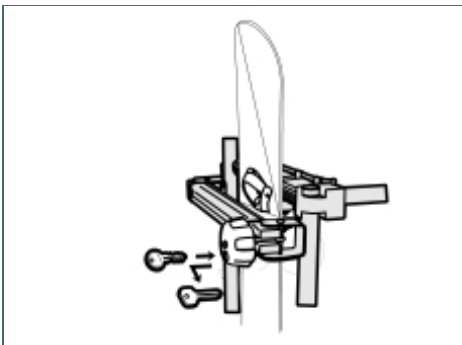
Illustration D

2B



T8902694

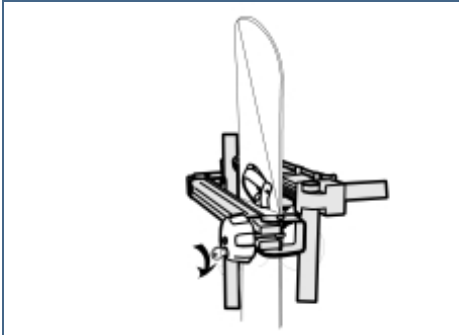
2C



T8902695

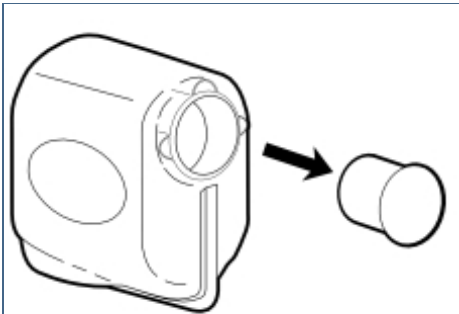


2D



T8902696

3A

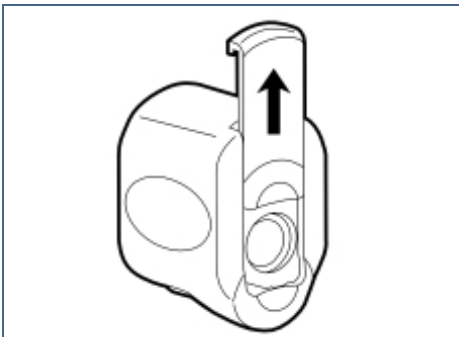


T8902593

Illustrations A-G show how to lock the base unit with the accessories for the tow hitch. Use the lock housing from the base unit kit and the lock cylinder using the keys from the accessory kit

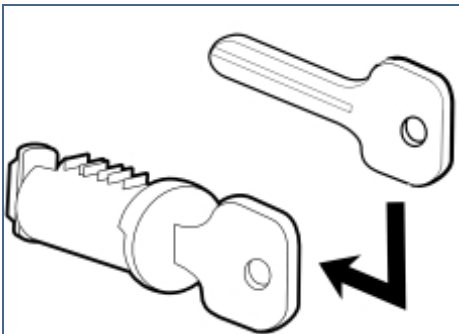
- Illustration A
- Illustration B
- Illustration C
- Illustration D
- Illustration E
- Illustration F
- Illustration G

3B



T8902594

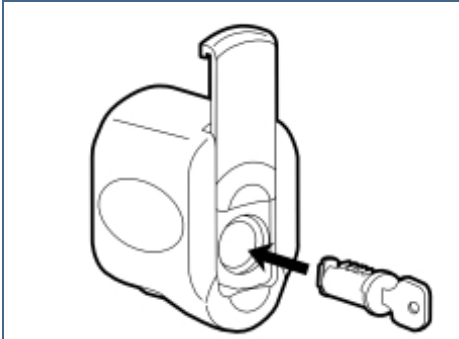
3C



T8902595

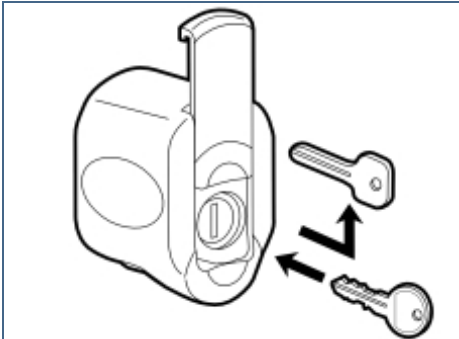


3D



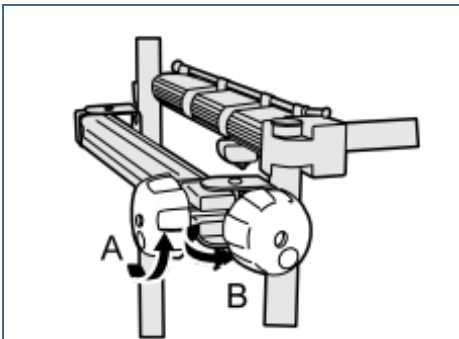
T8902596

3E



T8902597

4A



T8902582

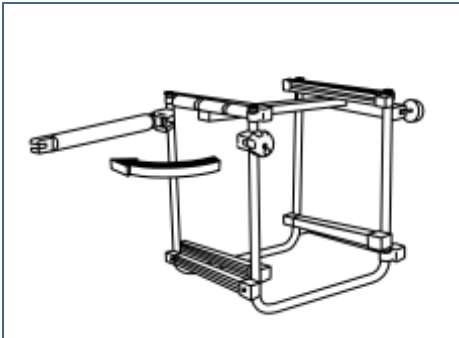
Illustration A

- Remove the mounting bracket for the ski holder by turning the locking knob anti-clockwise and then folding the locking knob outwards from the mounting bracket.

Illustration B

- Fold the mounting bracket outward.

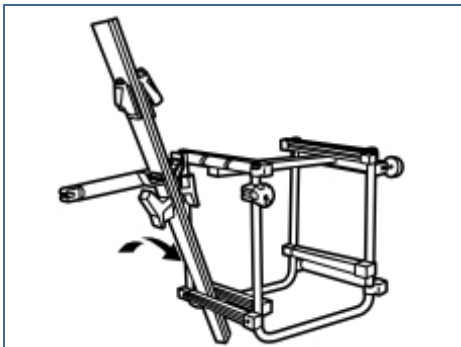
4B



T8902583

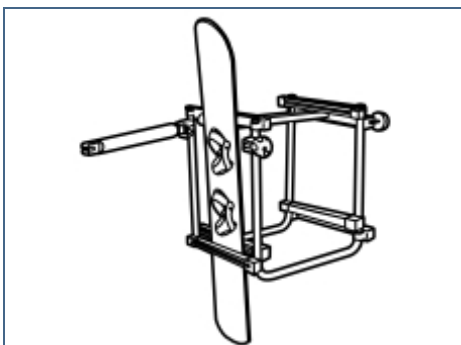


5A



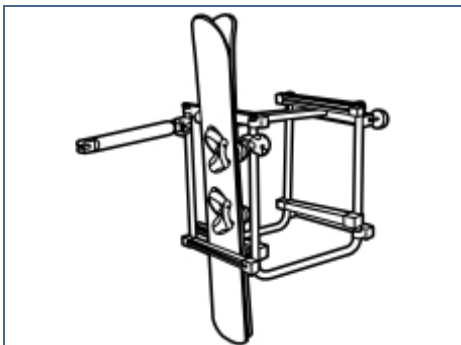
T8902584

5B



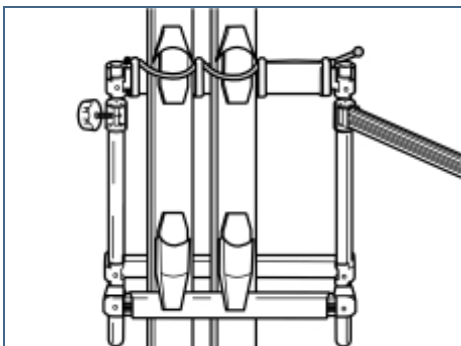
T8902586

5C



T8902585

5D



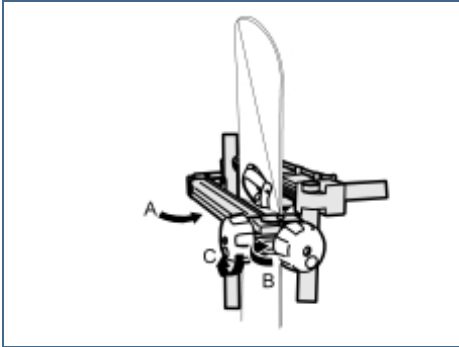
R8902730

Illustration A shows how to install a pair of skis
Illustration B shows how to install a snowboard
Illustration C shows how to install two snowboards
Illustration D shows securing using the rubber straps

- Slide the skis or snowboard down into the lower holder
- Hold them against the rear section of the upper holder
- Secure them against the rear section using the rubber straps (Illustration D) to keep them in place while other skis/snowboards are positioned in the holder when the mounting bracket is closed.



6



T8902693

- Fold the mounting bracket and locking knob back into position. Tighten the locking knob.

Caution!

Check that the load on the ski holder is secured properly so there is no risk of it falling off. Regularly check the load during the journey. The load must not obstruct the number plate or lighting. Tighten all the screws, nuts and knobs regularly to prevent any section of the accessory or the load from falling off.

The ski holder must not be used when driving off road.

Any damaged straps must be replaced with new straps.

The load must not protrude outside the ski holder.

Do not overload the car. The centre of gravity can alter when loads are transported on the hitch unit.

An extra number plate holder with lighting is available as an accessory and must be used if the number plate for the car is hidden by the loaded ski holder.