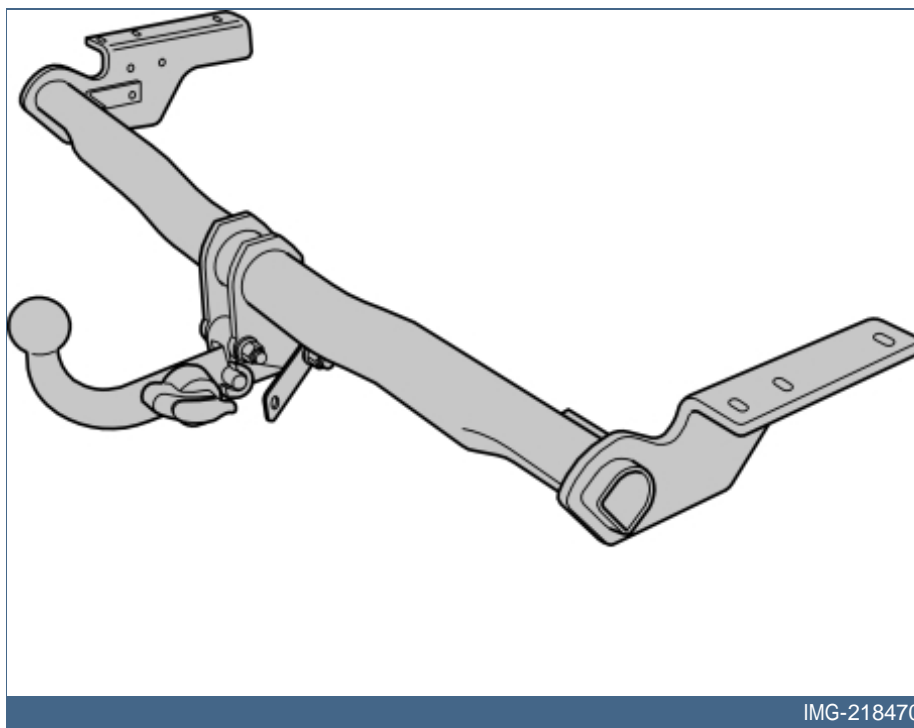




XC90

Section	Group	Weight(Kg/Pounds)	Year	Month
8	891	20/44.1	2006	12



IMG-218470

Installation instructions, accessories - Towbar, detachable

Volvo Car Corporation Göteborg, Sweden



Required tools

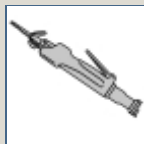


A0000162



Nm
lbf.ft

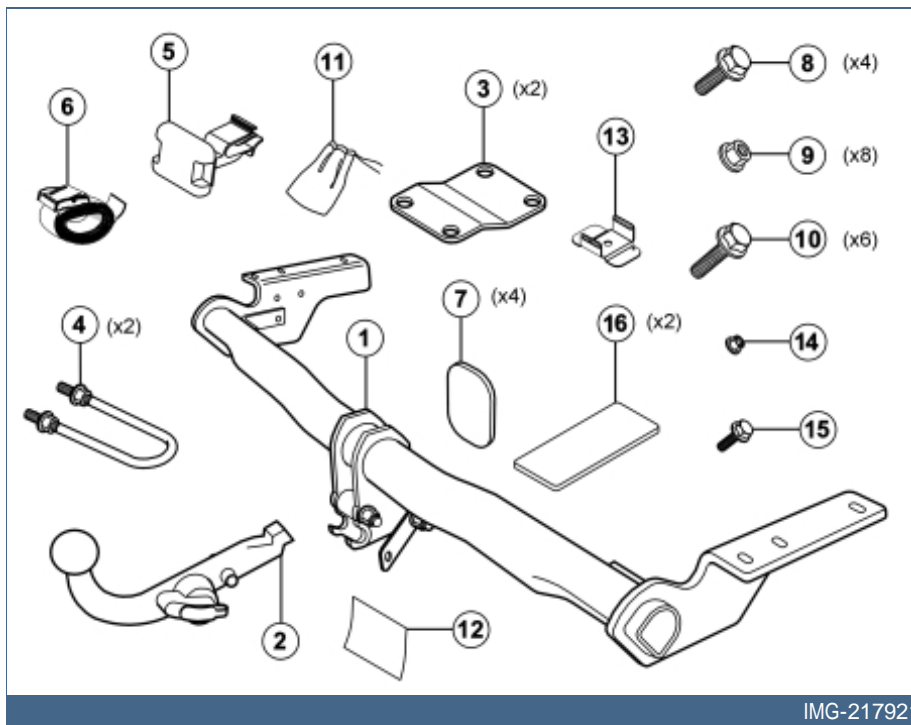
A0000161



A0000165



IMG-217920



IMG-217921

Part no:	Kit no:	Supplier no:	Model	EU approval no:	D-value	Vert. load Kg (lbs)
31213719	31213720	60-148000	C	E11*94/20*5262*00	12.2kN	90kg

IMG-262236



Any comments on this publication? Please contact your nearest retailer. Thank You!

Publ.no:	Issue:	Kit no:
Comments:.....		
.....		
.....		
.....		

From:	
Address:	
Telephone:	
Telefax:	

IMG-213320



INTRODUCTION

- **NOTE! Read through the entire text before carrying out any work.**
- The front page gives the date of this edition and the edition it replaces
- The second page shows the tools needed for the installation and the contents of the installation kit
- The illustrations display the procedure in order of operation. The order of operation is repeated in the text section
- Cut out the text page in order to follow the illustrations and text at the same time.

Towbar, detachable

Note!

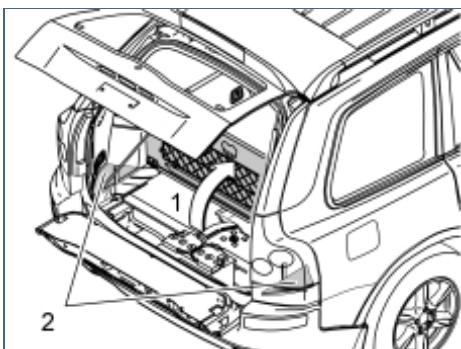
1. Crossmember
2. Detachable towbar
3. Reinforcing plate (x2)
4. Mounting bracket (x2)
5. Protective plug
6. Strap
7. Foam plastic (x4)
8. Screw M10x30 (x4)
9. Flange nuts M10 (x8)
10. Screw M12x40 (x6)
11. Storage bag
12. Decal
13. Holder
14. Flange nut M6
15. Screw M6X10
16. Velcro fastener (x2)

Registration card

Handling instructions



1

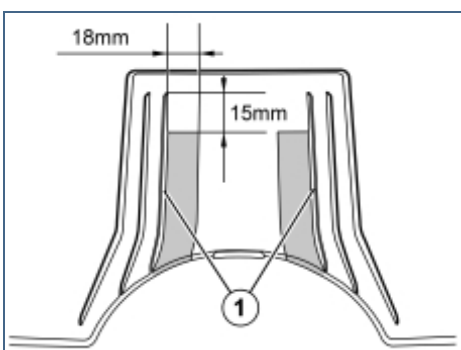


R8902382

Preparations

- Fold up the centre rear floor hatch (1). If the floor hatch is equipped with a grocery bag holder on the underside then it is fixed with a strap on each short side of the storage box, and these must be detached.
- Remove the storage box underneath and lift it out.
- Remove the side floor hatches (2) on the right and left-hand sides in the cargo compartment.
- If the car is equipped with a spare wheel, remove it.

2

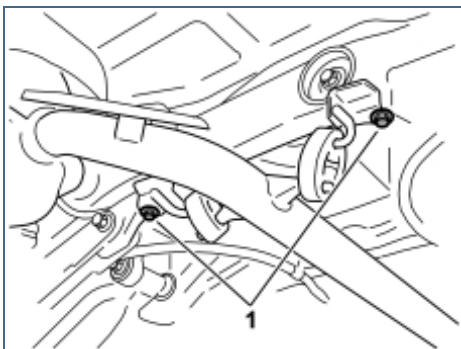


IMG-216340

Preparations

- Raise the car.
- Measure out and draw a horizontal line **15 mm (9/16")** under the top edge of the grooves (1), on the inside of the rear bumper cover.
- Draw a vertical line **18 mm (11/16)** from the inside of the grooves (1).
- Cut/saw along the drawn lines so that two parallel slits are formed in the bumper cover.
- Smooth off all edges with a file.

3

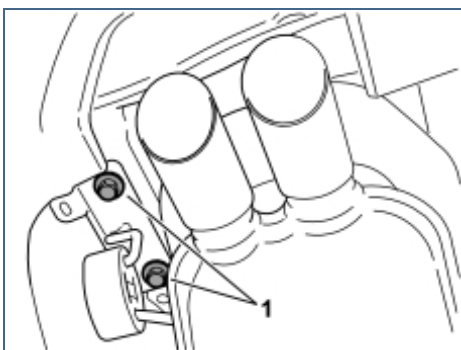


R8902815

Preparations

- Detach the silencer's front mounting in the rear subframe by removing the screws (1).

4



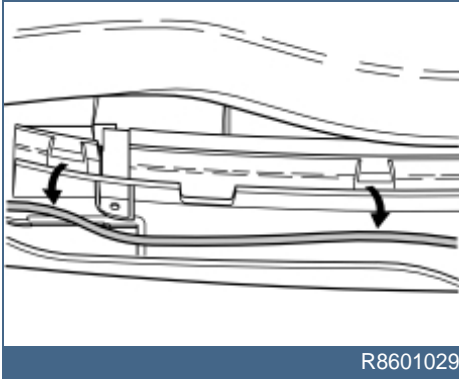
R8902814

Preparations

- Detach the rubber mounting (1).
- Detach the silencer's rear mounting bracket from the lower edge of the left-hand side member by removing the screws (2).
- Carefully bend aside the heat deflector plate at the side member to make more space to work in.

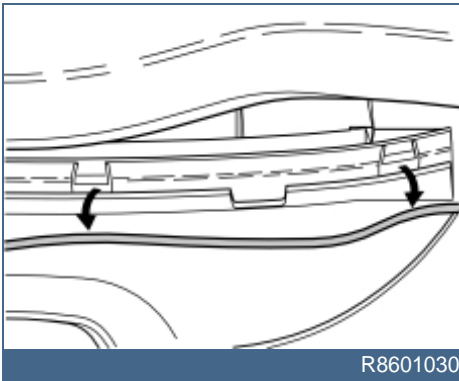


5A



R8601029

5B



R8601030

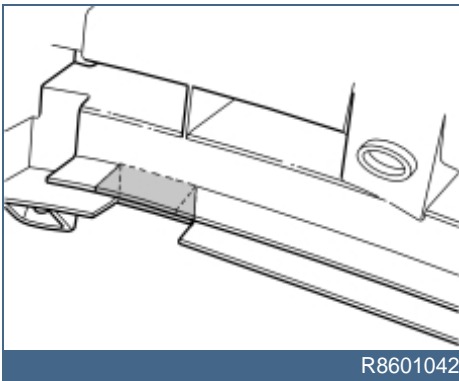
Preparations

Applies to cars with rear parking assistance

Illustration A shows the right-hand side of the bumper
Illustration B shows the left-hand side of the bumper

- Detach the cable to the parking assistance sensors from its clips in the rear section of the bumper.

6



R8601042

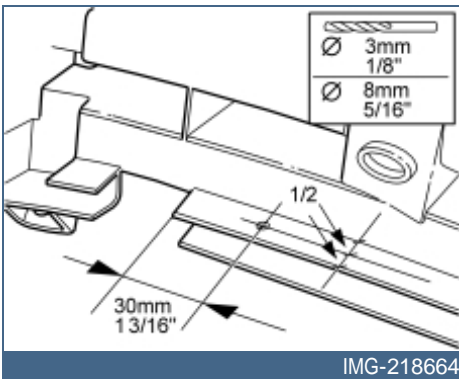
Preparations

Applies to all models

Right-hand side:

- Cut/saw out the rear section at the existing cut-out in accordance with the markings in the illustration.

7



IMG-218664

Preparations

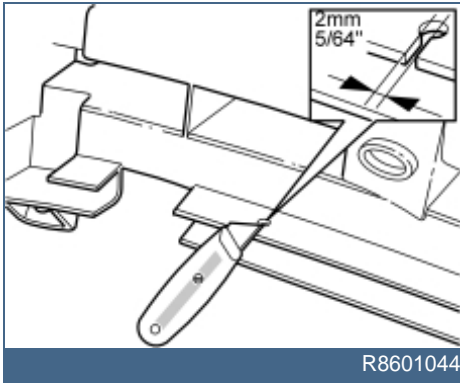
Applies to cars with rear parking assistance

Right-hand side:

- Measure out for drilling the hole for the cable grommet in the upper of the rear section's plates as illustrated.
- Pre-drill using a $\varnothing 3$ mm (1/8") diameter drill bit, and then drill out the hole to $\varnothing 8$ mm (5/16"). Use an angle drilling machine and short drill bits.



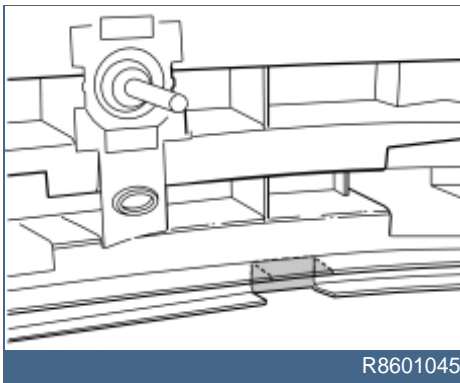
8



Preparations

- Cut open a **2 mm (5/64")** wide slot through the plate up to the hole.

9



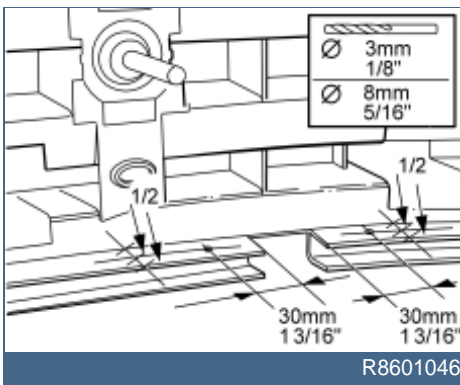
Preparations

Applies to all models

Left-hand side:

- Cut/saw out the rear section at the existing cut-out in accordance with the markings in the illustration.

10



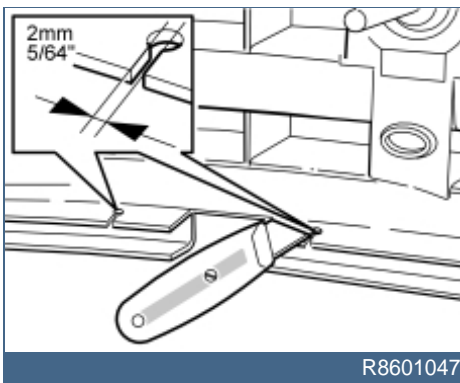
Preparations

Applies to cars with rear parking assistance

Left-hand side:

- Measure out for drilling the hole for the cable grommet on the right and left-hand sides of the cut-out, in the upper of the rear section's plates as illustrated.
- Pre-drill using a **Ø3 mm (1/8")** diameter drill bit, and then drill out the holes to **Ø8 mm (5/16")**. Use an angle drilling machine and short drill bits.

11

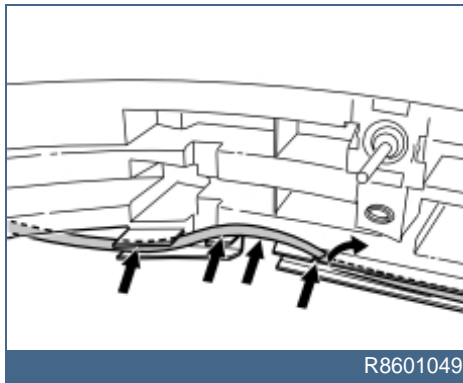


Preparations

- Cut open a **2 mm (5/64")** wide slot through the plate up to the holes on both sides of the cut-out.



12

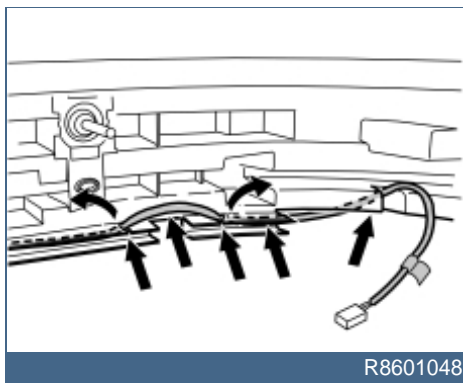


Preparations

Right-hand side:

- Press up one of the plate's tabs and guide the cable into the previously drilled hole. The cable must be routed as illustrated.

13

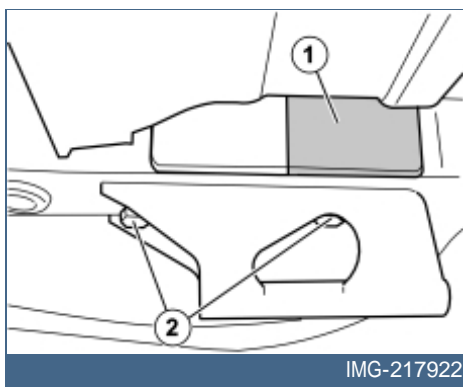


Preparations

Left-hand side:

- Press up the plate's tabs and guide the cable into the previously drilled holes. The cable must be routed as illustrated.

14

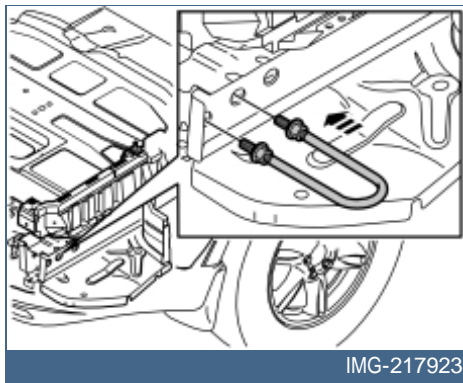


Installing the towing member

Applies to all models

- Lift up the protective tags (1) (at the rear edge) which cover the mounting holes on the inside of the side members (one on each side) and cut away 80 mm.
- Remove the bracket for the towing eye by removing the screws (2).
- Remove any sealing compound from the surface where the end faces of the towing member shall be located.

15

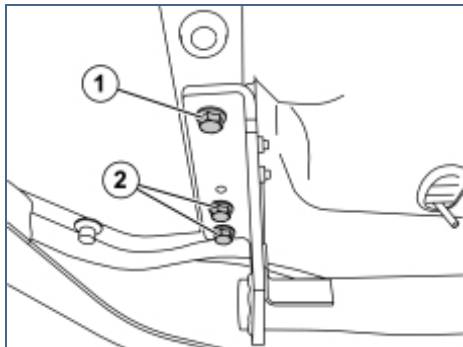


Installing the towing member

- Lower the car.
- Remove the protective tags which cover the mounting holes on the outside of the side members.
- Fit the mounting bracket through the two rear holes in the outer wall of the side member. The threaded sections of the mounting bracket should now protrude through to the underside of the car. Repeat on the other side.
- Secure the mounting brackets using butyl tape for example in order to prevent them from falling back.



16



IMG-216360

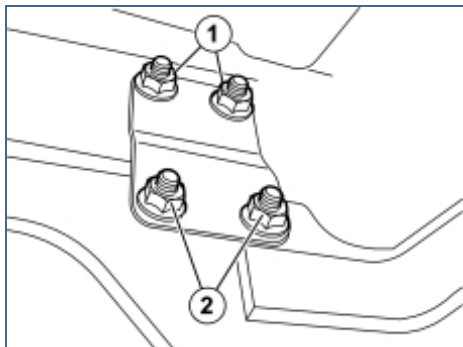
Installing the towing member

- Raise the car.
- Remove the towbar from the towing member, see the handling instructions for detachable towbar.
- Lift up the towing member. Start by angling up the left-hand side's end face above the silencer's end pipe and up behind the bumper to the side member. Following which, angle up the right-hand side's end face to the side member, and position it on the side members, opposite their holes.
- Fit the M12x40 screw (1) in the front hole on each side, while holding the towing member in position.
- Install the remaining screws (2).
- Insert the screws all the way without tightening them.

Note!

Apply rustproofing agent under the car and on the side members around the end faces, scraping away any sealing compound, before torque tightening the screws.

17

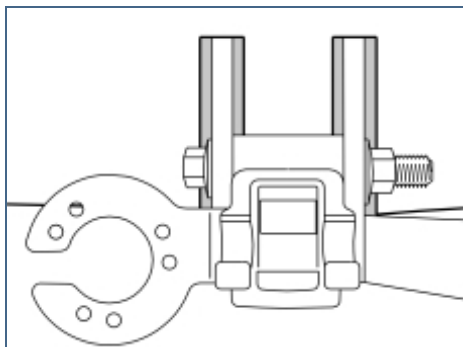


IMG-217924

Installing the towing member

- Install the reinforcing plate with the oval holes facing up.
- Install the flange nuts (1) on the mounting bracket.
- Install the bolts and the flange nuts (2).
- Insert the screws all the way without tightening them. Carry out the above procedure on the other side too.

18



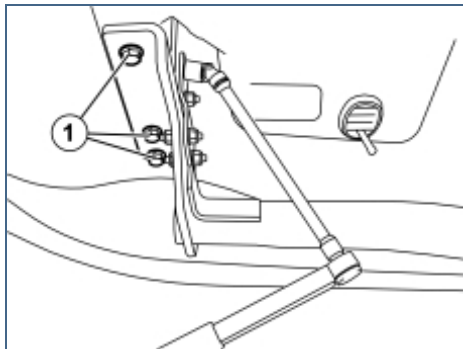
IMG-216400

Installing the towing member

- Centre the towbar in relation to the cut-out in the bumper.



19

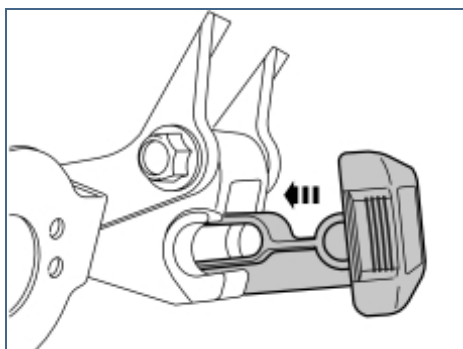


IMG-217925

Installing the towing member

- Torque tighten the screws (1) to **120 Nm** on both sides.
- Torque tighten the upper and lower bolted joint for the mounting bracket to **50 Nm**. Use joint socket (P/N 9814017) when tightening the upper one. Repeat on the other side.
- Bend back the heat deflector plate.
- Reinstall the silencer's rear mounting.
- Reinstall the silencer's front mounting. Torque tighten the screws to **24 Nm**.

20

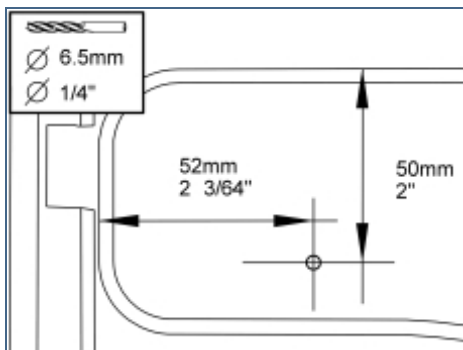


IMG-216442

Installing the towing member

- Check the function of the detachable towbar.
- Install the protective plug.
- Fit the towbar wiring in accordance with the separate installation instructions.

21



IMG-218360

Installing the holder

- Measure out for drilling the hole for the towbar holder, to the right of the battery as illustrated. Use a **Ø6.5 mm (1/4")** diameter drill bit.

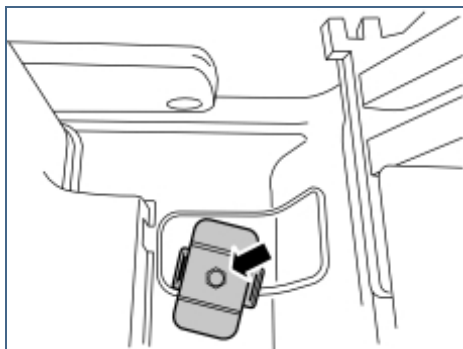
Note!

Remove any spare wheel before drilling.

- Remove any swarf.

Apply rustproofing agent to the hole.

22



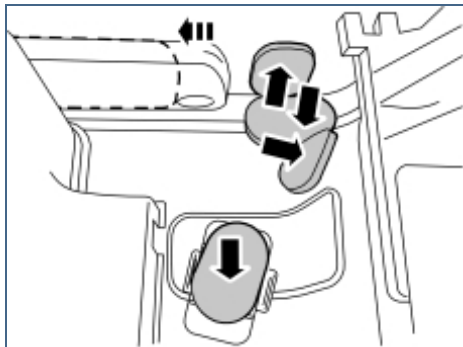
IMG-218361

Installing the holder

- Install the holder using an M6 x 10 screw and M6 nut. Torque tighten to **10 Nm**.



23



IMG-218362

Installing the holder

- Fit the four foam plastic pieces as illustrated. This is to avoid rattling when the towbar is stored there.

Applies to cars with warning triangle

- Move the warning triangle approx. 80 mm sideways into the centre to make space for the towbar. Mark out the inner wall locations for the warning triangle's Velcro fasteners.
- Secure two Velcro fasteners at the markings on the inner wall. Install the warning triangle.

24



IMG-218363

Storing the towbar

- Take the retaining strap and thread it through the holder's two eyelets.
- Thread the accompanying protective bag over the towbar and tighten the protective bag's cord. Position the towbar with bag in the holder with the ball section to the rear, and tighten with the strap.

25

Finishing work

- Put the spare wheel back in place.
- Reinstall the storage box and floor hatches.
- Affix the accompanying decal to the underside of the floor hatch, as illustrated.
- Fill in the registration card and send it to the local Volvo dealer.