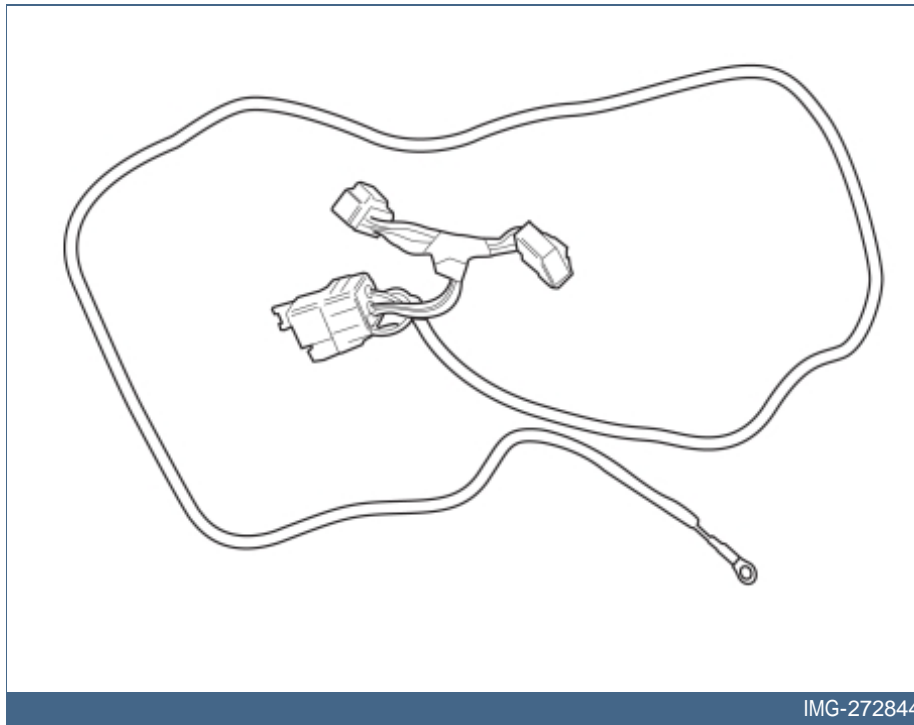




**S80 (-06) / V70 XC (01-) / XC70 (-07) / S60 /
V70 (00-08) / XC90**

Section	Group	Weight (Kg/Pounds)	Year	Month
8	892	0.5 (1)	2007	04

S60 2001, S60 2002, S60 2003, S60 2004, S80 (-06) 1999, S80 (-06) 2000, S80 (-06) 2001, S80 (-06) 2002, S80 (-06) 2003, S80 (-06) 2004, V70 (00-08) 2000, V70 (00-08) 2001, V70 (00-08) 2002, V70 (00-08) 2003, V70 (00-08) 2004, V70 XC (01-) / XC70 (-07) 2001, V70 XC (01-) / XC70 (-07) 2002, V70 XC (01-) / XC70 (-07) 2003, V70 XC (01-) / XC70 (-07) 2004, XC90 2003, XC90 2004

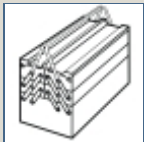


Installation instructions, accessories - Towbar, adapter

Volvo Car Corporation Göteborg, Sweden



Required tools



A0000162



IMG-239664



IMG-272843

Any comments on this publication? Please contact your nearest retailer. Thank You!

Publ.no:	Issue:	Kit no:
Comments:.....		
.....		
.....		
.....		

From:	
Address:	
Telephone:	
Telefax:	

IMG-213320





INTRODUCTION

- **NOTE! Read through the entire text before carrying out any work.**
- The front page gives the date of this edition and the edition it replaces
- The second page shows the tools needed for the installation and the contents of the installation kit
- The illustrations display the procedure in order of operation. The order of operation is repeated in the text section
- Cut out the text page in order to follow the illustrations and text at the same time.

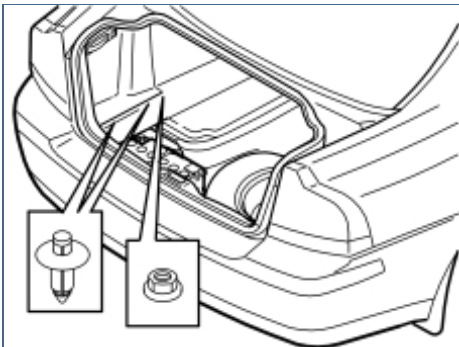
Towbar, adapter

Note!

Some steps in these installation instructions are presented with illustration only.



1

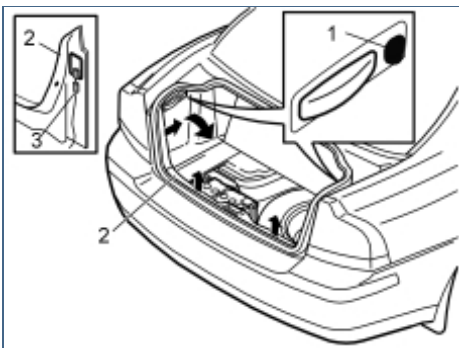


M8902133

Preparations Applies to the S60

- Fold back the carpet.
- Remove the clips from the lower edge of the folding panel on the left and right-hand sides by pressing in the middle of them until a click is heard.
- Remove the clips.
- Unscrew the front clips.

2

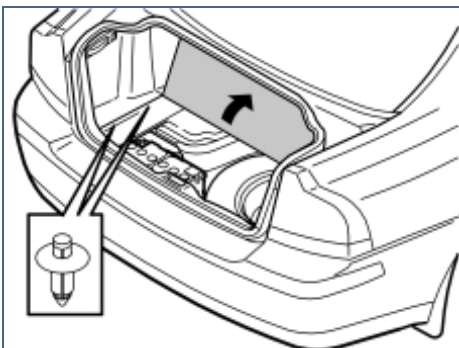


M8503264

Preparations

- Turn the knob (1) on the right-hand and left-hand sides a quarter turn.
- Fold the panels inwards. Lift the panels out.
- First, pull the trunk lid sill trim panel (2) forwards until the two clips on the right-hand and left-hand sides release. Pull forcefully but carefully since the panel is fitted tightly. Pull the panel straight up until the four clips in the lower edge release.
- Remove the wiring (3) for the cargo compartment lighting.
- Lift out the sill trim panel.

3

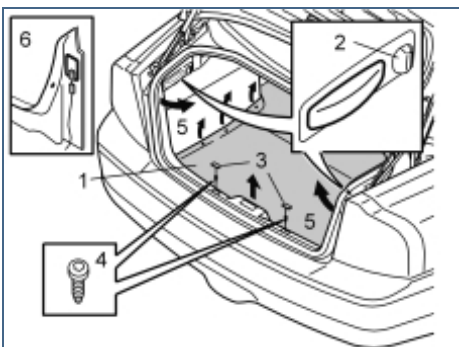


M8901859

Preparations Applies to the S80

- Fold the carpet to one side.
- Remove the clips from the lower edge of the folding panel on the left and right-hand sides by pressing in the middle of them until a click is heard.
- Remove the clips.

4



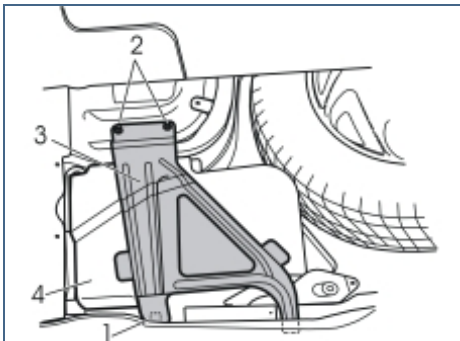
D8502339

Preparations

- Place the carpet to one side (1) in the cargo compartment.
- Turn the clips (2) and fold in the side panels on both sides.
- Remove the two covers (3) and the screws (4) underneath. Grasp the panel's outer edges (5) and pull the middle inwards so that the clips release at the sides.
- Disconnect the connectors (6) for the side lights. Remove the panel by pulling it straight upwards, so that the clips release from the rear member.



5



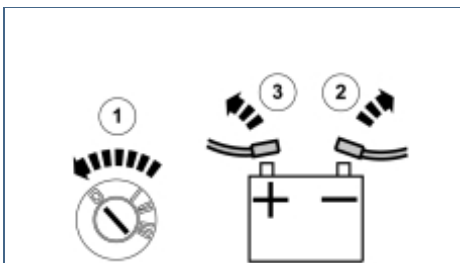
D3100060

Preparations

Applies to the S60 and S80

- Remove the screw (1), the nuts (2) and then the bracket (3) (pull the bracket forwards).
- Lift off the protective cover (4).

6



IMG-272605

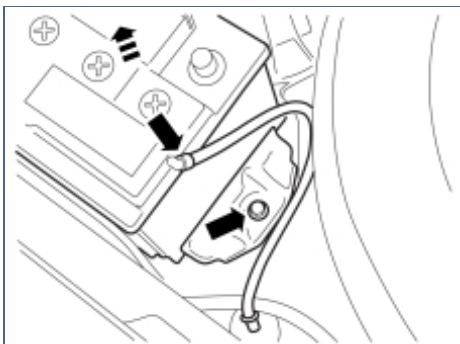
Preparations

- Turn the ignition key to position 0.
- Disconnect the battery negative lead.
- Disconnect the battery positive lead.

Note!

Wait at least three minutes before unplugging the connectors or removing other electrical equipment.

7

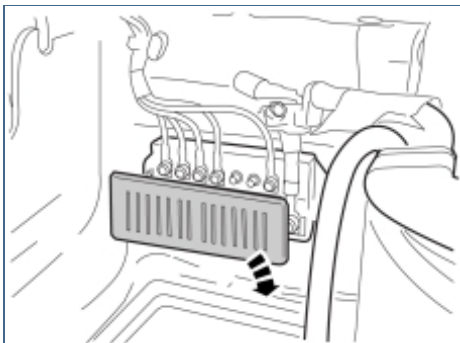


IMG-273203

Preparations

- Remove the screw and mounting for the battery.
- Disconnect the drainage hose.
- Remove the battery.

8



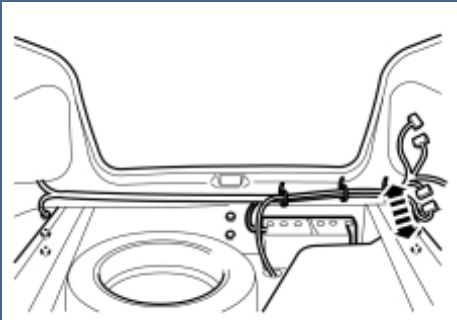
IMG-272607

Preparations

- Remove the cover in the fuse holder for the main fuses.



9

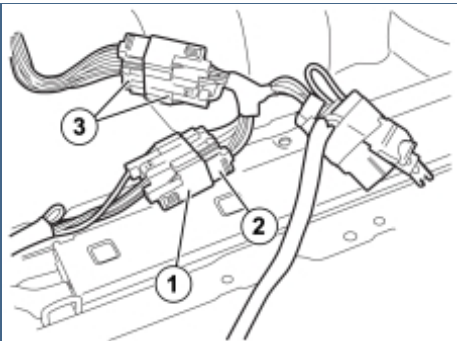


IMG-273205

Preparations

- Disconnect the large gray connectors for the towbar cable.

10



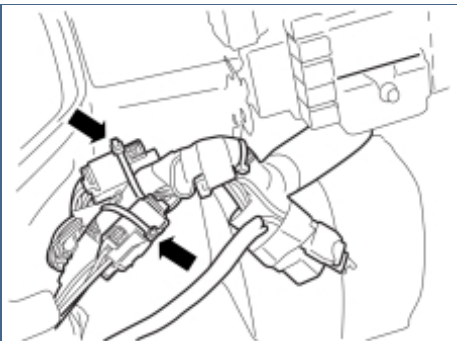
IMG-273206

Installation

Applies to the S60 and S80

- Take the adapter cable from the kit. Connect the towbar wiring female connector (1) to the male connector (2) in the adapter cable.
- Plug the remaining connectors (3) into each other.

11

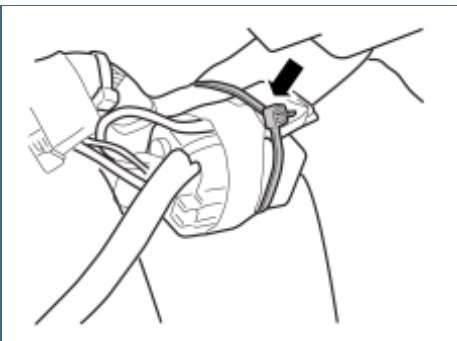


IMG-273207

Installation

- Secure the four gray connected connectors around the thick cable harness using their relevant cable ties from the kit.

12



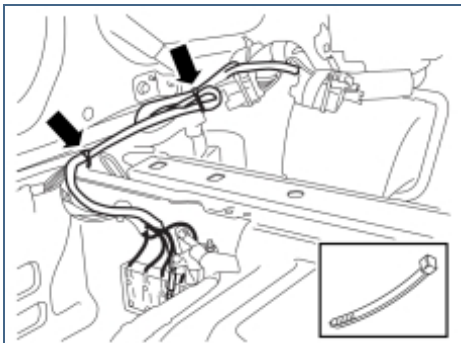
IMG-273208

Installation

- Secure the relay holder with relay and fuse holder with fuse around the thick cable harness.



13

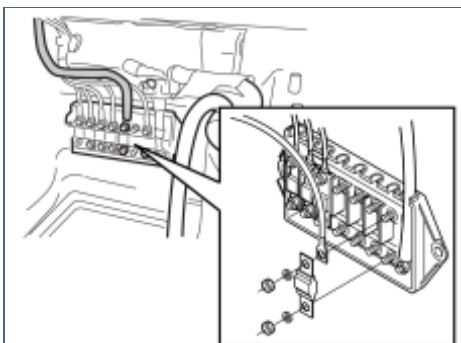


IMG-273209

Installation

- Pull the wiring down to the holder for the main fuses.
- Collect the excess of the cables under the tail lamp and secure around the existing cable harnesses.
- Secure the cable behind the load securing eyelet using a cable tie.
- Make sure that the wiring does not chafe against sharp edges.

14

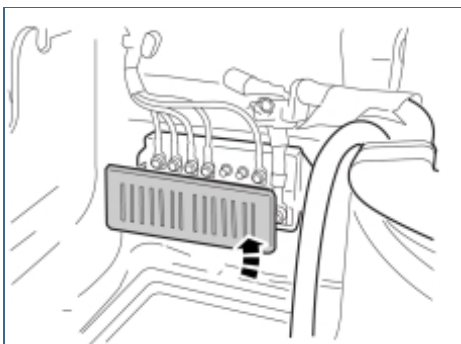


IMG-272641

Installation

- Take a fuse, two nuts and two washers from the kit. Install the fuse in any free terminal.
- Connect the cable with the small ring cable terminal.
- Install washers and nuts. Torque tighten the nuts to **10 Nm (7.5 lbf.ft.)**.

15

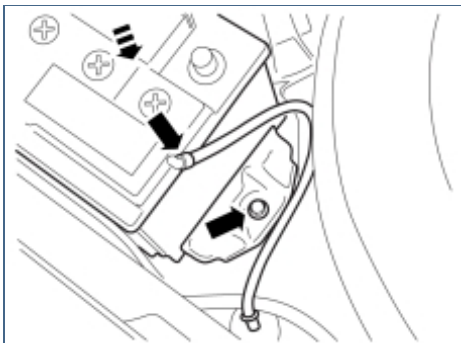


IMG-272614

Installation

- Reinstall the battery.
- Tighten the mounting with the screw. Torque tighten to **24 Nm (18 lbf.ft.)**.
- Connect the battery's drainage hose.

16

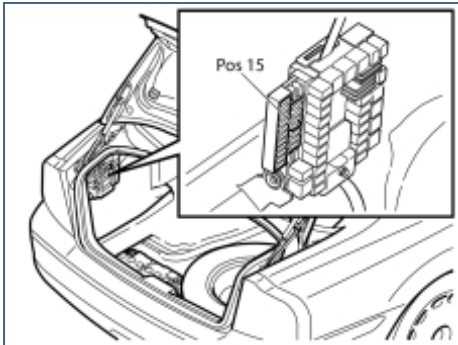


IMG-273212

Installation



17

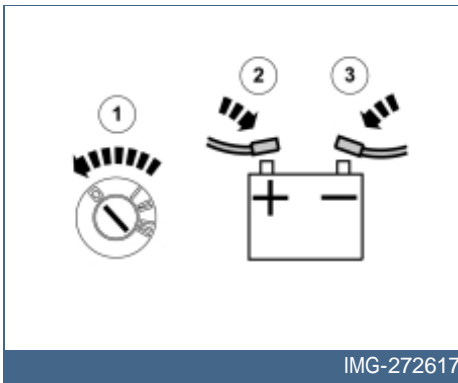


IMG-273213

Installation

- Remove the **20A** fuse in the rear fuse holder in terminal **15**. Replace it with the **5A** fuse from the kit.

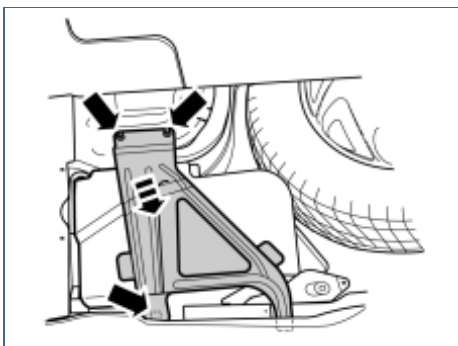
18



IMG-272617

Installation

19

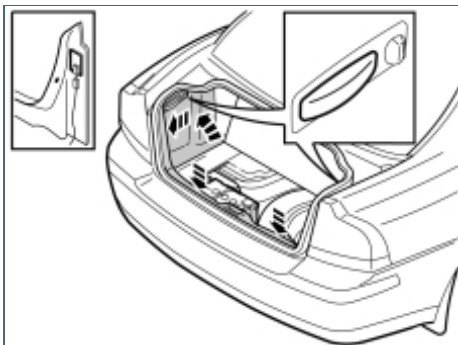


IMG-273214

Installation

- Reinstall the protective cover and bracket.
- Secure and torque tighten the screw and nuts to **24 Nm (18 lbf.ft.)**.

20



IMG-272621

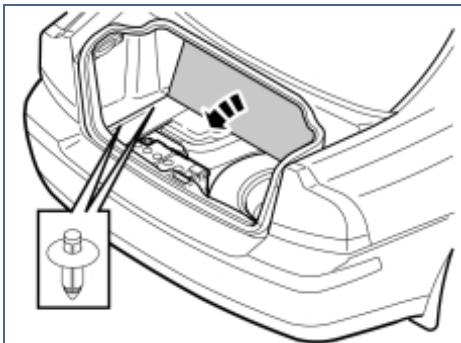
Installation

Applies to the S80

- Connect the cargo compartment lighting.
- Reinstall the sill panel and the side panels.



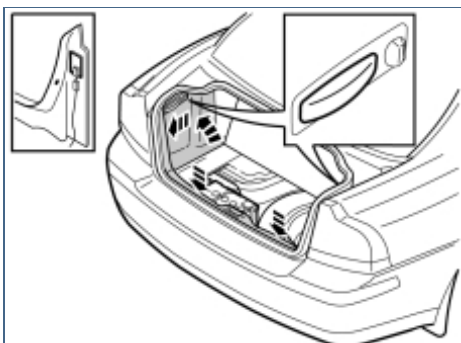
21



IMG-272619

Installation

22

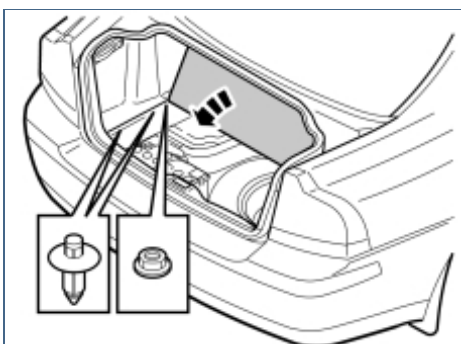


IMG-272621

Installation Applies to the S60

- Connect the cargo compartment lighting.
- Reinstall the sill panel and the side panels.

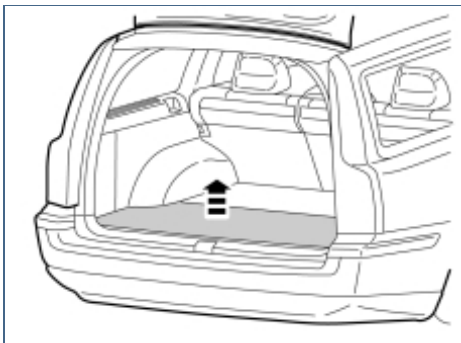
23



IMG-272620

Installation

24



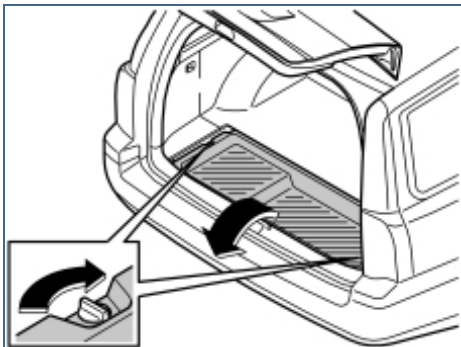
IMG-273215

Preparations Applies to the V70 and the XC70

- Remove the rear floor hatch in the cargo compartment.



25

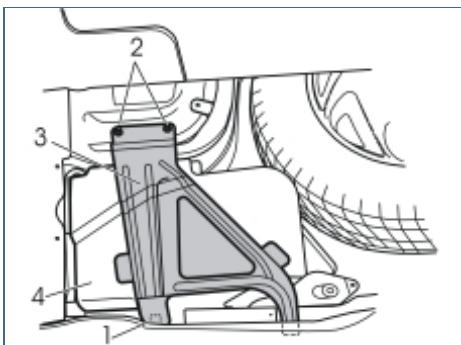


M8503121

Preparations

- Detach the storage box under the rear floor hatch by turning the clips on the left and right-hand sides. Turn each clip a 1/4 turn. Lift out the box.

26

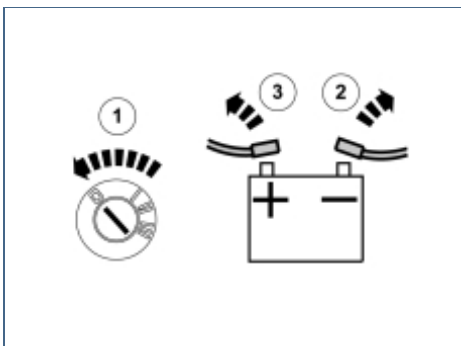


D3100060

Preparations

- Remove the screw (1), the nuts (2) and then the bracket (3) (pull the bracket forwards).
- Lift off the protective cover (4).

27



IMG-272605

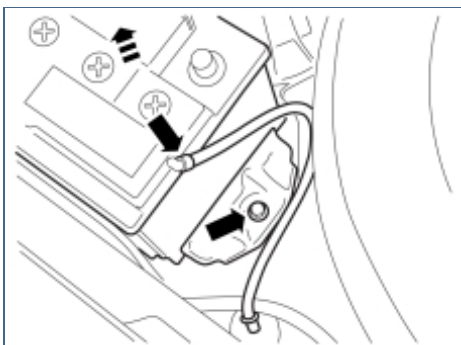
Preparations

- Turn the ignition key to position 0.
- Disconnect the battery negative lead.
- Disconnect the battery positive lead.

Note!

Wait at least three minutes before unplugging the connectors or removing other electrical equipment.

28



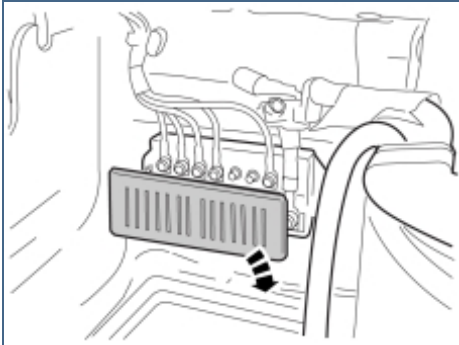
IMG-273203

Preparations

- Remove the screw and mounting for the battery.
- Disconnect the drainage hose.
- Remove the battery.



29

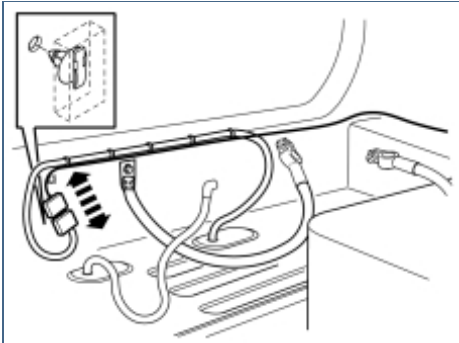


IMG-272607

Preparations

- Remove the cover in the fuse holder for the main fuses.

30

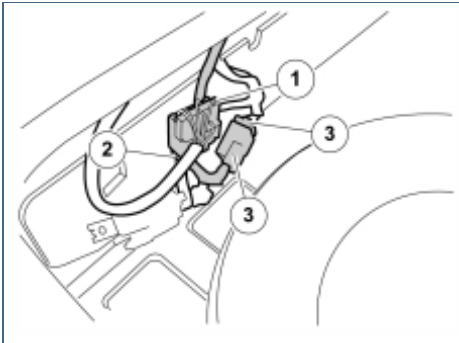


IMG-273216

Preparations

- Disconnect the two gray connectors for the towbar wiring in the rear member from each other.

31



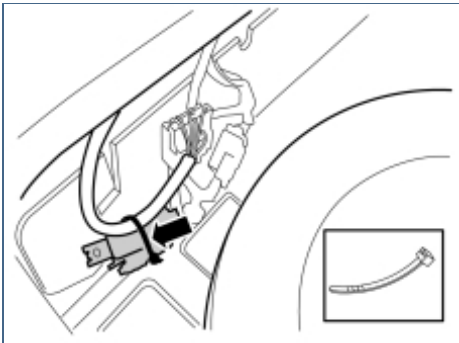
IMG-273217

Installation

Applies to the V70 and the XC70

- Take the adapter cable from the kit and connect the towbar wiring female connector (1) to the male connector (2) in the adapter cable.
- Plug the remaining connectors (3) into each other.

32



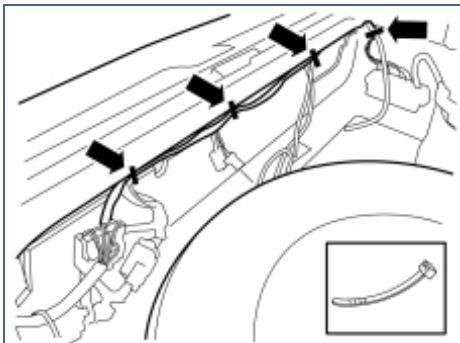
IMG-273218

Installation

- Take a cable tie from the kit. Secure the relay holder with relay and fuse holder with fuse, by the towbar wiring.



33

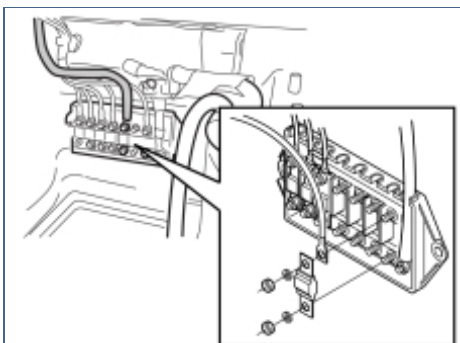


IMG-273219

Installation

- Route the cable from the relay in the adapter cable along the cable harnesses in the rear member, and up to the fuse holder for the main fuses.
- Secure it using four cable ties from the kit. Ensure that the cables do not rub against sharp edges.

34

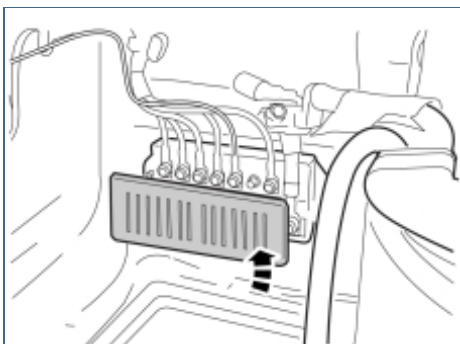


IMG-272641

Installation

- Take a fuse, two nuts and two washers from the kit. Install the fuse in any free terminal.
- Connect the cable with the small ring cable terminal.
- Install washers and nuts. Torque tighten the nuts to **10 Nm (7.5 lbf.ft.)**.

35

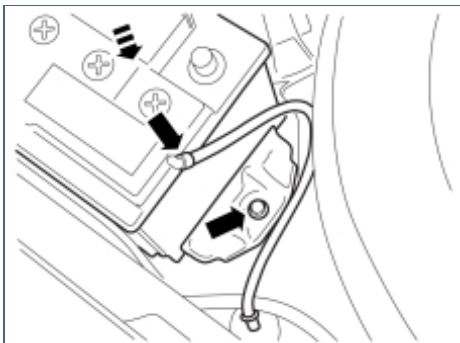


IMG-273211

Installation

- Reinstall the battery and connect the drainage hose.
- Install the mounting with the screw. Torque tighten to **24 Nm (18 lbf.ft.)**.

36

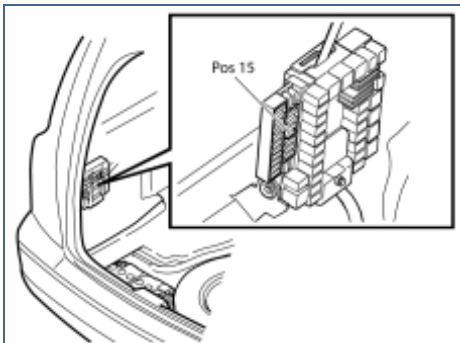


IMG-273212

Installation



37

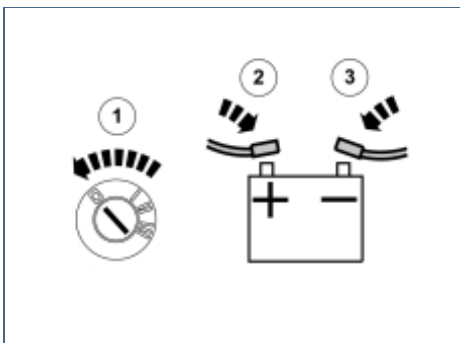


IMG-273220

Installation

- Remove the **20A** fuse in the rear fuse holder in terminal **15**. Replace it with the **5A** fuse from the kit.

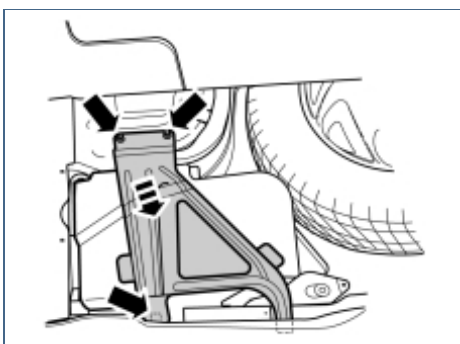
38



IMG-272617

Installation

39

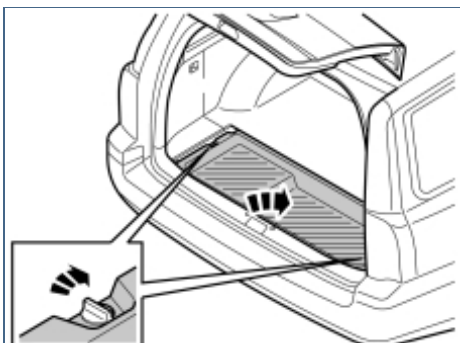


IMG-273214

Installation

- Reinstall the protective cover and bracket.
- Secure and torque tighten the screw and nuts to **24 Nm (18 lbf.ft.)**.

40

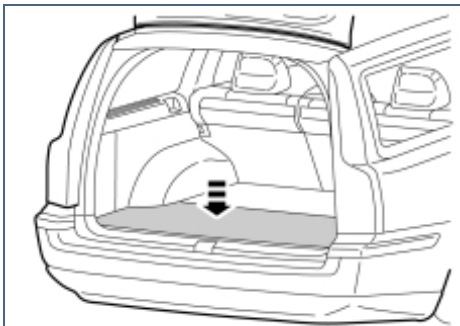


IMG-272633

Installation



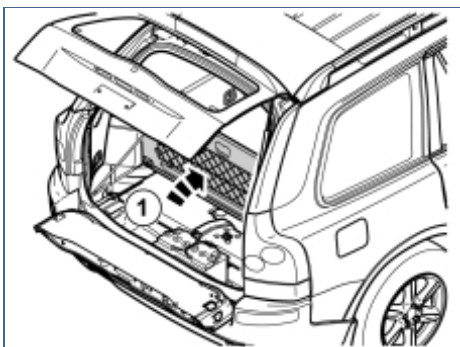
41



IMG-273223

Installation

42



IMG-273224

Preparations

Applies to the XC90

- **Applies to cars with two rows of seats**
- Fold up the center rear floor hatch (1). If the underside of the floor hatch is equipped with a grocery bag holder, the holder is secured with a strap on both ends of the storage compartment. Detach the straps.
- Remove the underlying storage compartment.
- Remove the floor hatch by folding it almost completely closed and pulling it backwards from the mountings until it releases.

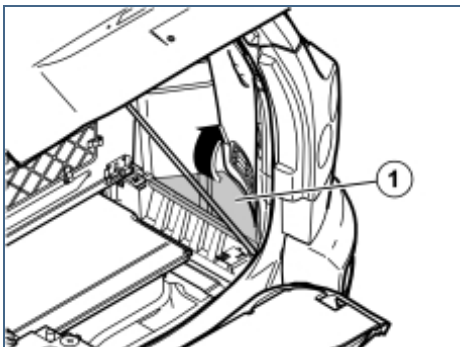
Applies to cars with three rows of seats and integrated carrier bag holder on the underside of the center floor hatch

- Fold up the center rear floor hatch (1).
- Detach the two straps on the underlying panel. Lift up the rear edge of the panel, fold the floor hatch back towards the panel and lift out the floor hatch with the panel.

Applies to cars with three rows of seats without an integrated carrier bag holder

- Fold up the center rear floor hatch (1) at the rear edge and lift it out.

43



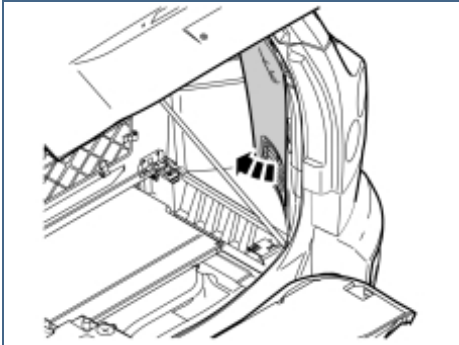
R8504158

Preparations

- Remove the right and left side glove box (1).



44

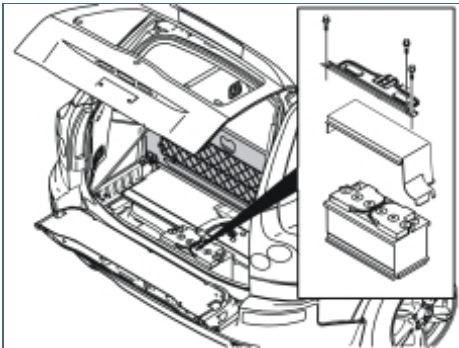


IMG-273225

Preparations

- Remove the folding side panel from the left and right-hand sides in the cargo compartment.

45

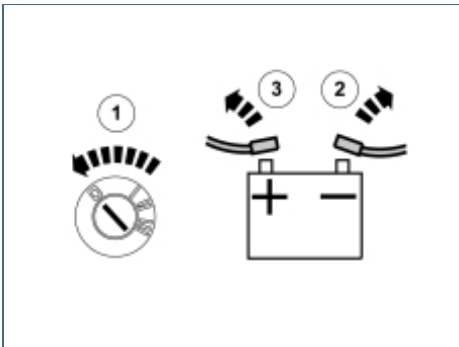


R3100130

Preparations

- Remove the two screws and the nut from the holder for the battery cover and lift out.
- Remove the battery cover.

46



IMG-272605

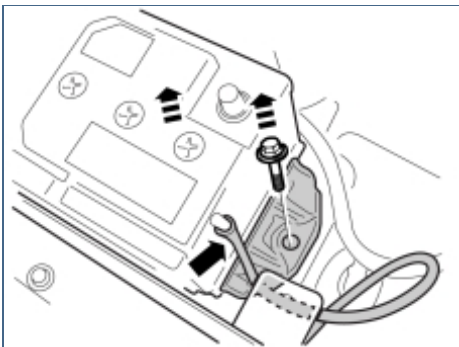
Preparations

- Turn the ignition key to position 0.
- Disconnect the battery negative lead.
- Disconnect the battery positive lead.

Note!

Wait at least three minutes before unplugging the connectors or removing other electrical equipment.

47



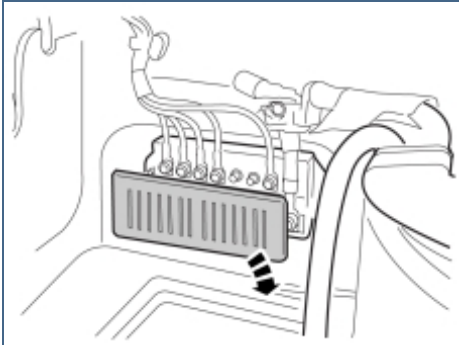
IMG-272636

Preparations

- Remove the screw and floor mount for the battery.
- Remove the battery's drainage and place to one side.



48

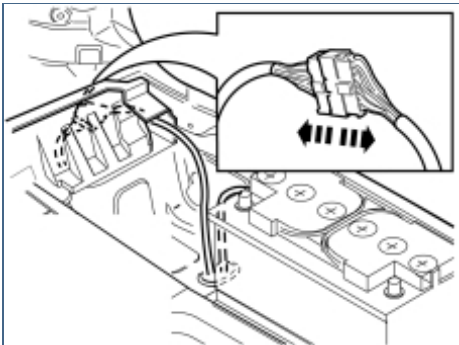


IMG-272637

Preparations

- Remove the cover in the fuse holder for the main fuses.

49

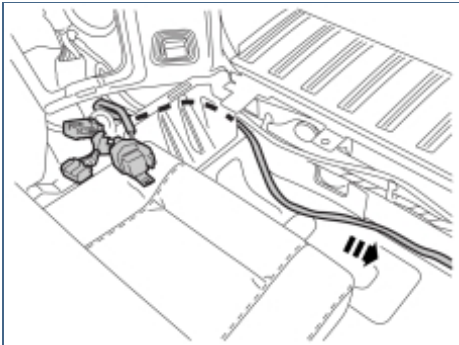


IMG-273226

Preparations

- Disconnect the connectors for the towbar wiring in the space under the right-hand tail lamp.

50

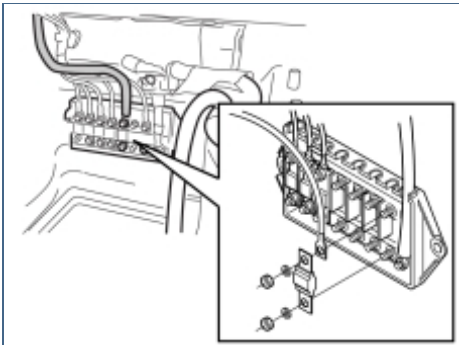


IMG-273227

Installation Applies to the XC90

- Take the adapter wiring from the kit. Route the long cable from the space where the towbar wiring is connected and up to the holder for the main fuses.

51



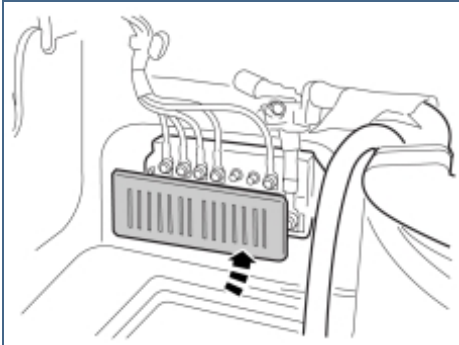
IMG-272641

Installation

- Take a fuse, two nuts and two washers from the kit. Install the fuse in any free terminal.
- Connect the cable with the small ring cable terminal.
- Install washers and nuts. Torque tighten the nuts to **10 Nm (7.5 lbf.ft.)**.



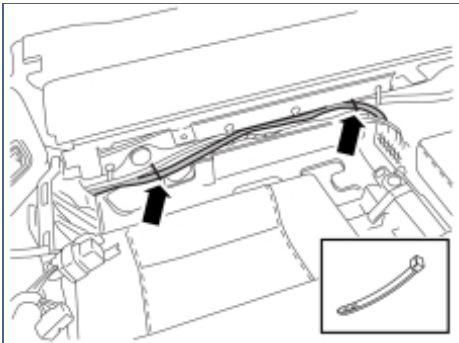
52



IMG-272646

Installation

53

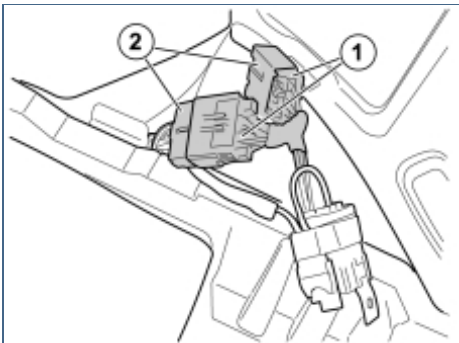


IMG-273229

Installation

- Secure the cable to the holder for the main fuses using cable ties from the kit.
- Route the excess cable in the space under the tail lamp.
- Make sure that the wiring does not chafe against sharp edges.

54

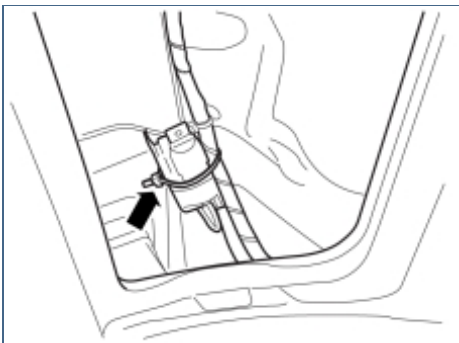


IMG-273230

Installation

- Connect the adapter cable's gray male and female connector (1) to the corresponding connectors (2) for the towbar wiring.

55



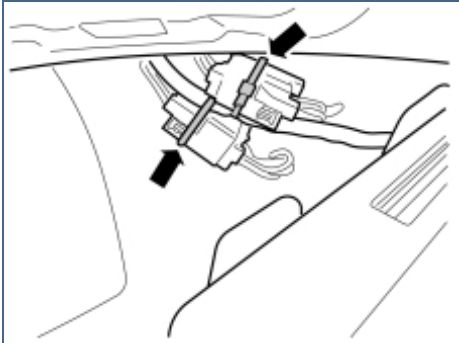
IMG-273231

Installation

- Secure the relay holder with relay and fuse holder with fuse around the existing cable harness.



56

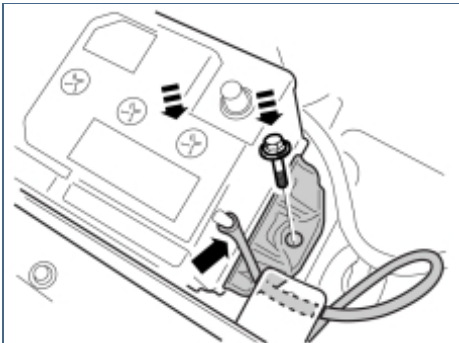


IMG-273232

Installation

- Secure the four gray connected connectors around the existing cable harnesses using their relevant cable ties from the kit.

57

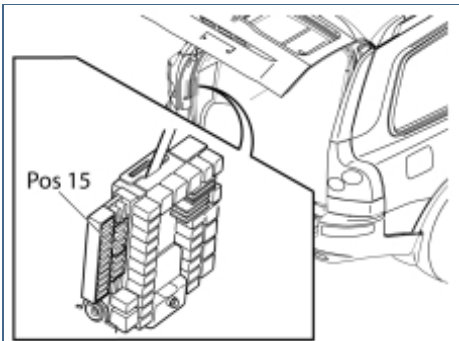


IMG-272647

Installation

- Reinstall the battery.
- Install the mounting with the screw. Torque tighten to **24 Nm (18 lbf.ft.)**.
- Connect the battery's drainage hose.

58

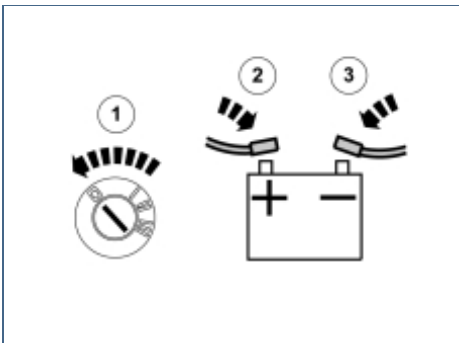


IMG-273234

Installation

- Remove the **20A** fuse in the rear fuse holder in terminal **15**. Replace it with the **5A** fuse from the kit.

59

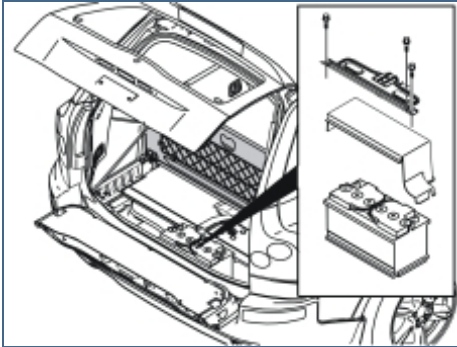


IMG-272617

Installation



60

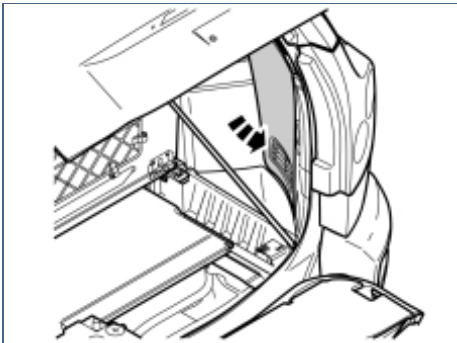


R3100130

Installation

- Reinstall the battery cover with holder, screws and nuts.
- Tighten screws and nuts to **24 Nm (18 lbf.ft)**.

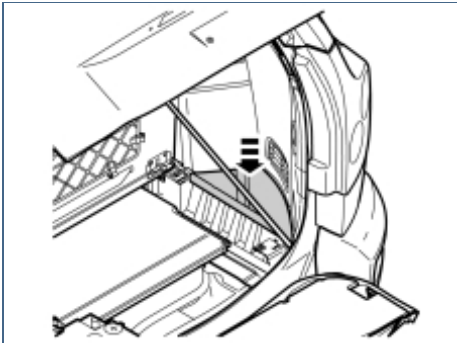
61



IMG-273235

Installation

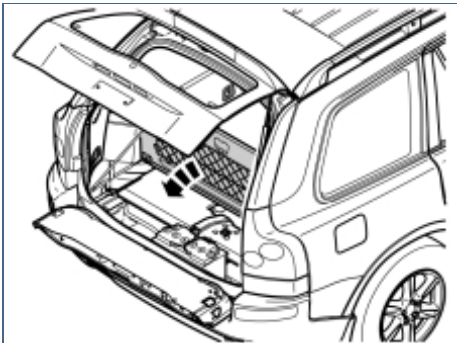
62



IMG-273236

Installation

63



IMG-273237

Installation