



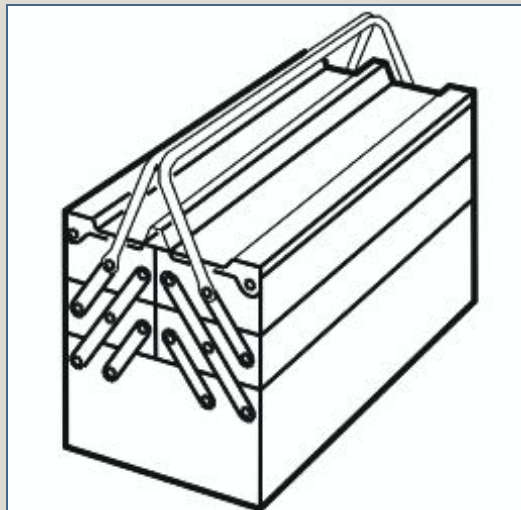
V70 XC (01-) / XC70 (-07) / S60 / S80 (-06) /
 XC90 / V70 (00-08) / S80 (07-) / XC70 (08-) /
 V70 (08-) / XC60

Section	Group	Weight (Kg/Pounds)	Year	Month
8	8910	0.5(1)	2007	10

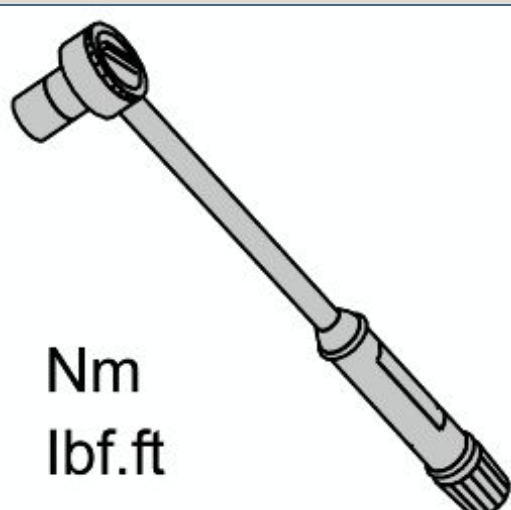
S60 2001 Volvo Cars North America, S60 2002 Volvo Cars North America, S60 2003 Volvo Cars North America, S60 2004 Volvo Cars North America, S60 2005 Volvo Cars North America, S60 2006 Volvo Cars North America, S60 2007 Volvo Cars North America, S60 2008 Volvo Cars North America, S80 (-06) 1999 Volvo Cars North America, S80 (-06) 2000 Volvo Cars North America, S80 (-06) 2001 Volvo Cars North America, S80 (-06) 2002 Volvo Cars North America, S80 (-06) 2003 Volvo Cars North America, S80 (-06) 2004 Volvo Cars North America, S80 (-06) 2005 Volvo Cars North America, S80 (-06) 2006 Volvo Cars North America, S80 (07-) 2007 Volvo Cars North America, S80 (07-) 2008 Volvo Cars North America, V70 (00-08) 2000, V70 (00-08) 2001, V70 (00-08) 2001 Volvo Cars North America, V70 (00-08) 2002, V70 (00-08) 2002 Volvo Cars North America, V70 (00-08) 2003, V70 (00-08) 2003 Volvo Cars North America, V70 (00-08) 2004, V70 (00-08) 2004 Volvo Cars North America, V70 (00-08) 2005 Volvo Cars North America, V70 (00-08) 2006 Volvo Cars North America, V70 (00-08) 2007 Volvo Cars North America, V70 (08-) 2008 Volvo Cars North America, V70 XC (01-) / XC70 (-07) 2001, V70 XC (01-) / XC70 (-07) 2001 Volvo Cars North America, V70 XC (01-) / XC70 (-07) 2002, V70 XC (01-) / XC70 (-07) 2002 Volvo Cars North America, V70 XC (01-) / XC70 (-07) 2003, V70 XC (01-) / XC70 (-07) 2003 Volvo Cars North America, V70 XC (01-) / XC70 (-07) 2004, V70 XC (01-) / XC70 (-07) 2004 Volvo Cars North America, V70 XC (01-) / XC70 (-07) 2005 Volvo Cars North America, V70 XC (01-) / XC70 (-07) 2006 Volvo Cars North America, V70 XC (01-) / XC70 (-07) 2007 Volvo Cars North America, XC60 2009 Volvo Cars North America, XC60 2010 Volvo Cars North America, XC70 (08-) 2008 Volvo Cars North America, XC90 2003, XC90 2003 Volvo Cars North America, XC90 2004, XC90 2004 Volvo Cars North America, XC90 2005 Volvo Cars North America, XC90 2006 Volvo Cars North America, XC90 2007 Volvo Cars North America, XC90 2008 Volvo Cars North America



Required tools

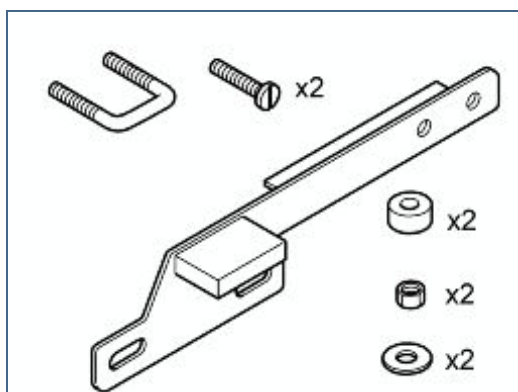


A0000162



Nm
lbf.ft

A0000161



M8902721

Any comments on this publication? Please contact your nearest retailer. Thank You!

Publ.no:	Issue:	Kit no:
Comments:		
.....		
.....		
.....		
From:		
Address:		
Telephone:		
Telefax:		

IMG-213320



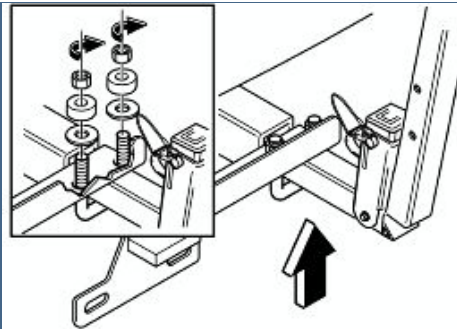
INTRODUCTION

Towbar, hitch, license plate holder

- **NOTE! Read through the whole installation instruction before starting the work.**
- The front page gives the date of this edition and the edition it replaces
- The second page shows the tools needed for the installation and the contents of the installation kit
- The illustrations display the procedure in order of operation. The order of operation is repeated in the text section
- Cut out the text page in order to follow the illustrations and text at the same time.



1A

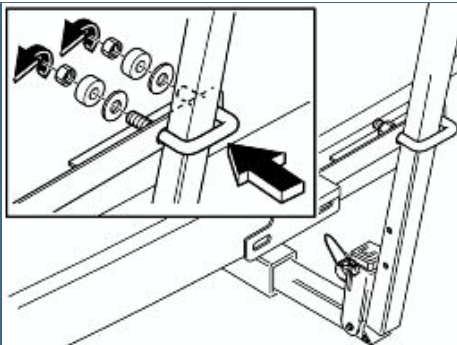


M8902722

Image A applies when mounting on the holder's horizontal square tube
Image B applies when mounting on the holder's vertical square tube

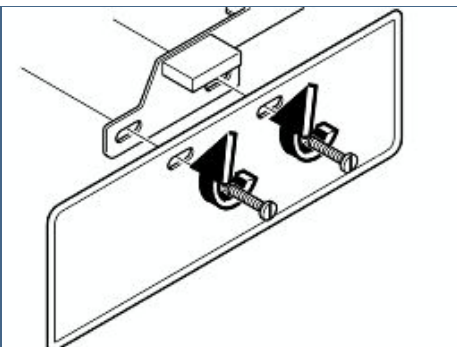
- Take the license plate holder and tighten it at the holder with the clamp, spacer sleeves and nuts from the kit as illustrated. Tighten the nuts to **7 Nm (5.2 lbf.ft)**.

1B



M8902723

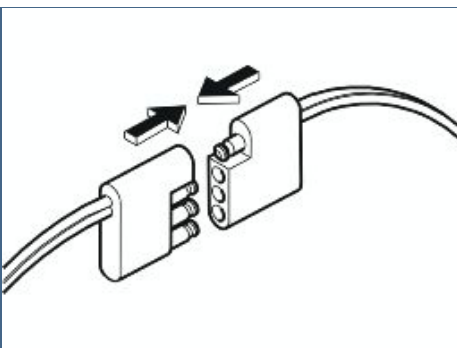
2



M8902724

- Take the two screws from the kit and tighten the license plate into place.

3



M3903733

- Connect the connector for the license plate holder's lighting to the corresponding connector from the car.