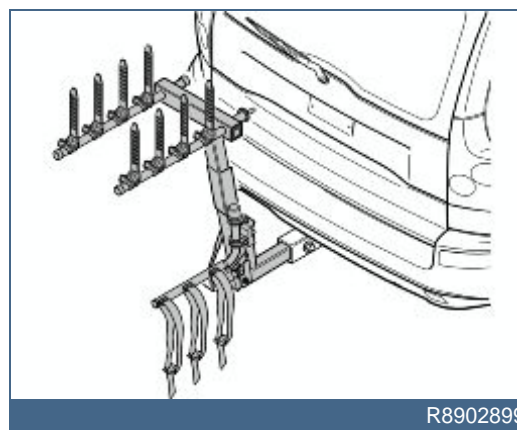




V70 XC (01-) / XC70 (-07) / S60 / S80 (-06) /
XC90 / V70 (00-08) / S80 (07-) / XC70 (08-) / V70
(08-) / XC60

| Section | Group | Weight (Kg/Pounds) | Year | Month |
|---------|-------|-----------------------|------|-------|
| 8 | 89 | 9.7(21.34) | 2007 | 10 |

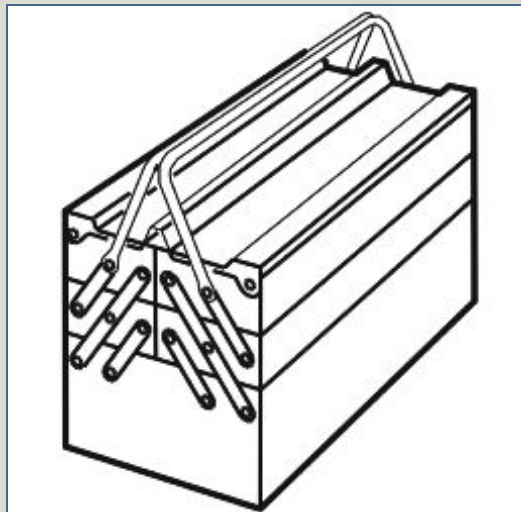
S60 2001 Volvo Cars North America, S60 2001 Volvo Cars North America, S60 2002 Volvo Cars North America, S60 2002 Volvo Cars North America, S60 2003 Volvo Cars North America, S60 2003 Volvo Cars North America, S60 2004 Volvo Cars North America, S60 2004 Volvo Cars North America, S60 2005 Volvo Cars North America, S60 2005 Volvo Cars North America, S60 2006 Volvo Cars North America, S60 2006 Volvo Cars North America, S60 2007 Volvo Cars North America, S60 2007 Volvo Cars North America, S60 2008 Volvo Cars North America, S60 2008 Volvo Cars North America, S80 (-06) 1999 Volvo Cars North America, S80 (-06) 1999 Volvo Cars North America, S80 (-06) 2000 Volvo Cars North America, S80 (-06) 2000 Volvo Cars North America, S80 (-06) 2001 Volvo Cars North America, S80 (-06) 2001 Volvo Cars North America, S80 (-06) 2002 Volvo Cars North America, S80 (-06) 2002 Volvo Cars North America, S80 (-06) 2003 Volvo Cars North America, S80 (-06) 2003 Volvo Cars North America, S80 (-06) 2004 Volvo Cars North America, S80 (-06) 2004 Volvo Cars North America, S80 (-06) 2005 Volvo Cars North America, S80 (-06) 2005 Volvo Cars North America, S80 (-06) 2006 Volvo Cars North America, S80 (-06) 2006 Volvo Cars North America, S80 (07-) 2007 Volvo Cars North America, S80 (07-) 2007 Volvo Cars North America, S80 (07-) 2008 Volvo Cars North America, S80 (07-) 2008 Volvo Cars North America, V70 (00-08) 2001 Volvo Cars North America, V70 (00-08) 2001 Volvo Cars North America, V70 (00-08) 2002 Volvo Cars North America, V70 (00-08) 2002 Volvo Cars North America, V70 (00-08) 2003 Volvo Cars North America, V70 (00-08) 2003 Volvo Cars North America, V70 (00-08) 2004 Volvo Cars North America, V70 (00-08) 2004 Volvo Cars North America, V70 (00-08) 2005 Volvo Cars North America, V70 (00-08) 2005 Volvo Cars North America, V70 (00-08) 2006 Volvo Cars North America, V70 (00-08) 2006 Volvo Cars North America, V70 (00-08) 2007 Volvo Cars North America, V70 (00-08) 2007 Volvo Cars North America, V70 (08-) 2008 Volvo Cars North America, V70 (08-) 2008 Volvo Cars North America, V70 XC (01-) / XC70 (-07) 2001 Volvo Cars North America, V70 XC (01-) / XC70 (-07) 2001 Volvo Cars North America, V70 XC (01-) / XC70 (-07) 2002 Volvo Cars North America, V70 XC (01-) / XC70 (-07) 2002 Volvo Cars North America, V70 XC (01-) / XC70 (-07) 2003 Volvo Cars North America, V70 XC (01-) / XC70 (-07) 2003 Volvo Cars North America, V70 XC (01-) / XC70 (-07) 2004 Volvo Cars North America, V70 XC (01-) / XC70 (-07) 2004 Volvo Cars North America, V70 XC (01-) / XC70 (-07) 2005 Volvo Cars North America, V70 XC (01-) / XC70 (-07) 2005 Volvo Cars North America, V70 XC (01-) / XC70 (-07) 2006 Volvo Cars North America, V70 XC (01-) / XC70 (-07) 2006 Volvo Cars North America, V70 XC (01-) / XC70 (-07) 2007 Volvo Cars North America, V70 XC (01-) / XC70 (-07) 2007 Volvo Cars North America, V70 XC (01-) / XC70 (-07) 2008 Volvo Cars North America, XC60 2009 Volvo Cars North America, XC60 2010 Volvo Cars North America, XC70 (08-) 2008 Volvo Cars North America, XC70 (08-) 2008 Volvo Cars North America, XC90 2003 Volvo Cars North America, XC90 2003 Volvo Cars North America, XC90 2004 Volvo Cars North America, XC90 2004 Volvo Cars North America, XC90 2005 Volvo Cars North America, XC90 2005 Volvo Cars North America, XC90 2006 Volvo Cars North America, XC90 2006 Volvo Cars North America, XC90 2007 Volvo Cars North America, XC90 2007 Volvo Cars North America, XC90 2008 Volvo Cars North America, XC90 2008 Volvo Cars North America



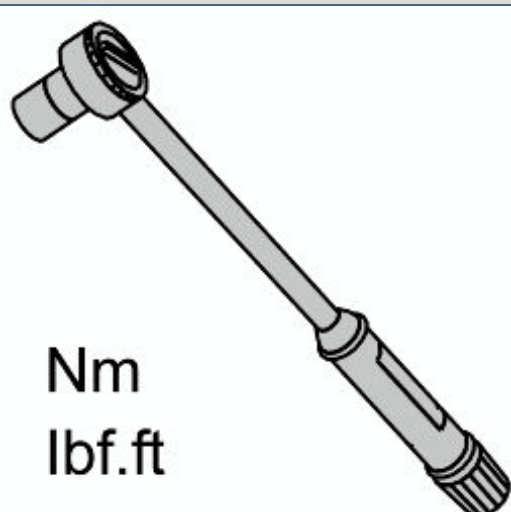
R8902899



Required tools

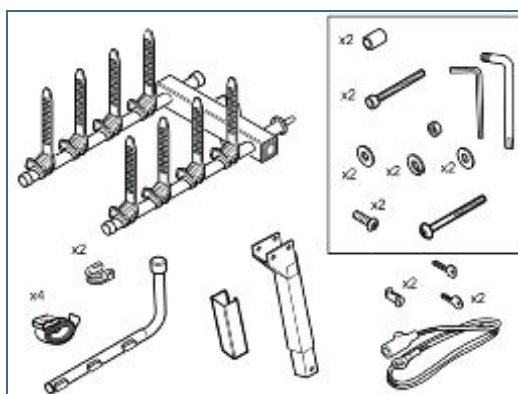


A0000162



Nm
lbf.ft

A0000161



R8902873

Any comments on this publication? Please contact your nearest retailer. Thank You!

| Publ.no: | Issue: | Kit no: |
|------------|--------|---------|
| Comments: | | |
| | | |
| | | |
| | | |
| From: | | |
| Address: | | |
| Telephone: | | |
| Telefax: | | |

IMG-213320



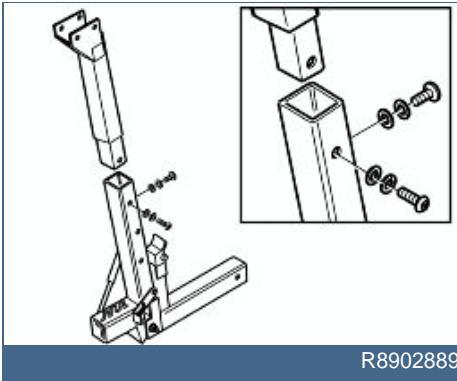
INTRODUCTION

Towbar, hitch, bicycle carrier

- **NOTE! Read through the whole installation instruction before starting the work.**
- The front page gives the date of this edition and the edition it replaces
- The second page shows the tools needed for the installation and the contents of the installation kit
- The illustrations display the procedure in order of operation. The order of operation is repeated in the text section
- Cut out the text page in order to follow the illustrations and text at the same time.



1

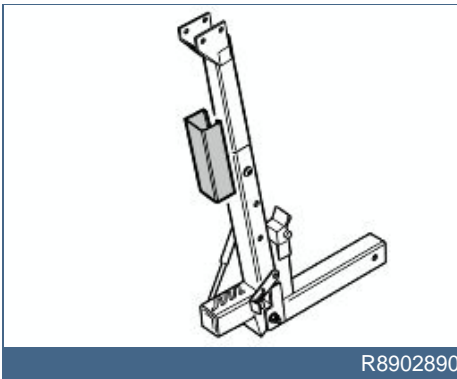


R8902889

Assembling and attaching to the car

- Install the bicycle carrier's vertical mounting in the hitch hook's square tube.
- Tighten the mounting using the two screws, spring washers and flat washers.

2

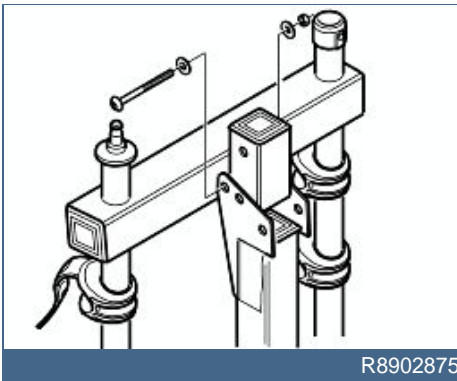


R8902890

Assembling and attaching to the car

- Press the plastic protection onto the vertical mounting in the position illustrated.

3

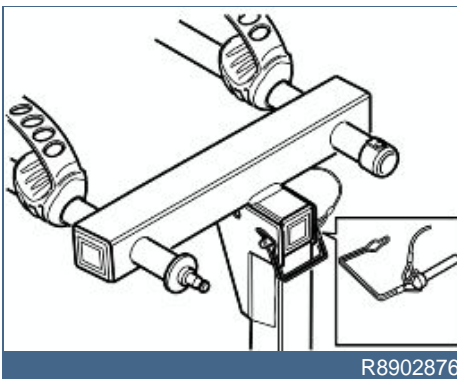


R8902875

Assembling and attaching to the car

- Install the bicycle carrier on the vertical mounting using screws, flat washers and lock nuts.
- Tighten the screws and nuts. Do not overtighten so that the bicycle carrier can be tilted in the mounting.

4



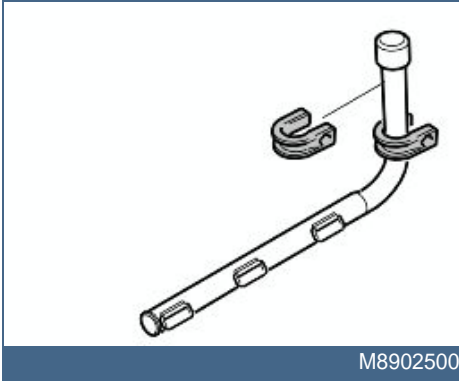
R8902876

Assembling and attaching to the car

- Remove the locking bracket from the locking pin and pull it out.
- Fold the bicycle carrier up, insert the locking pin through the hole and lock using the locking bracket.



5

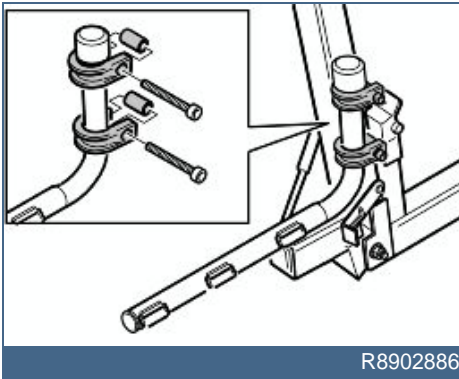


M8902500

Assembling and attaching to the car

- Secure the two mounting brackets onto the bicycle carrier's lower mounting

6

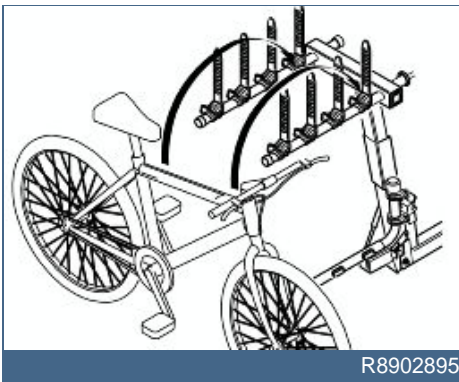


R8902886

Assembling and attaching to the car

- Install a long screw and spacer in the mounting brackets. Install the brackets on the bicycle carrier's square tube in the existing nuts. Adjust the lower bicycle carrier to the desired position and tighten to **10 Nm (7.5 lbf. ft.)**.

7

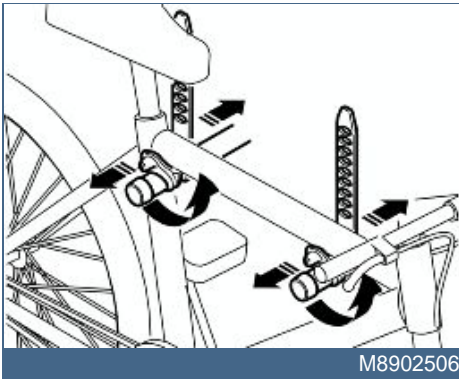


R8902895

Installing the bicycle

- Always place the heaviest bicycle innermost.

8



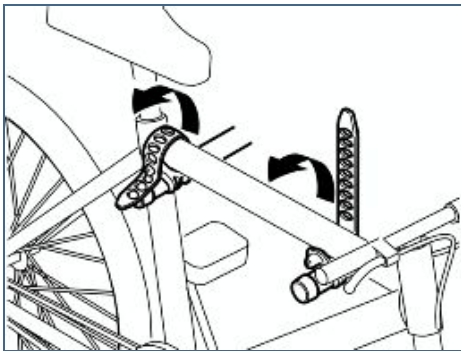
M8902506

Installing the bicycle

- The carriers on the two tubes can be adjusted to suit different bicycles. Place the bicycles so that every other bicycle is turned the opposite direction.



9

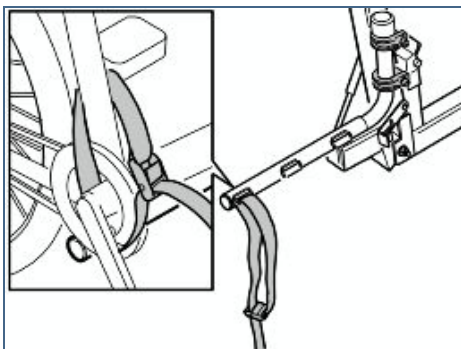


M8902507

Installing the bicycle

- Ensure that the mounting straps are properly tightened around the bicycle frames.

10



R8902896

Installing the bicycle

- Thread the strap through the mounting eyelet on the bicycle carrier's lower mounting.
- Insert the strap around a suitable location on the bicycle's lower section and then through its own buckle. Tighten securely.
- Tie up the excess of the strap.

11

Installing the bicycle

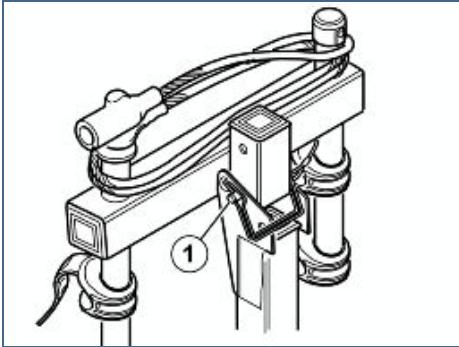
Caution!

Ensure that all screws, nuts, mounting straps and tensioning straps are properly tightened before traveling with the bicycle carrier. Make regular checks during the journey.

- The bicycle carrier must not be used when driving over terrain.
- Do not transport more than four bicycles at a time on the bicycle carrier.
- The bicycle carrier must not be used to transport tandem bicycles, recumbent bicycles or tricycles.
- Damaged tensioning straps and mounting straps must be replaced with new ones.
- If the car's license plate is concealed by a loaded bicycle carrier, an extra license plate holder with lighting must be used. The license plate holder must be purchased separately.



12



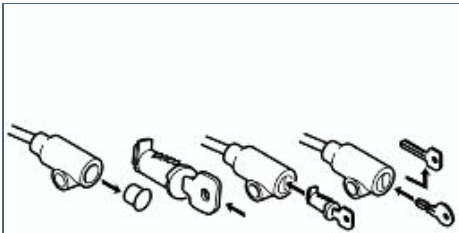
R8902882

Installing the bicycle

The bicycle carrier can be folded as illustrated when no bicycles are being transported.

- Detach the locking bracket, pull out the locking pin and fold the bicycle carrier down.
- Insert the locking pin into the hole (1) and lock with the locking bracket.

13A



R8902888

Installing the bicycle

Securing bicycles with cable locks

Illustration A

- Install the lock cylinder to the cable lock as illustrated in image A.

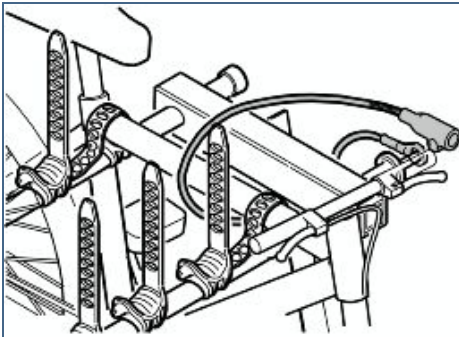
Illustration B

- Lock the bicycle using the cable lock as illustrated in image B.

Illustration C

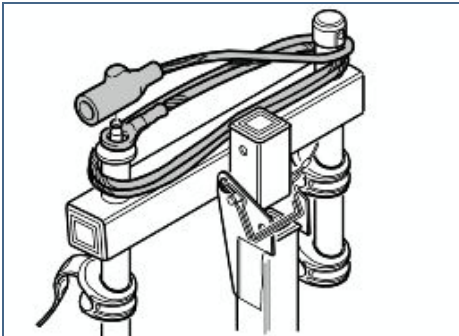
- When the cable lock is not in use, it can be locked to the bicycle carrier as illustrated in image C.

13B



R8902898

13C



R8902881