



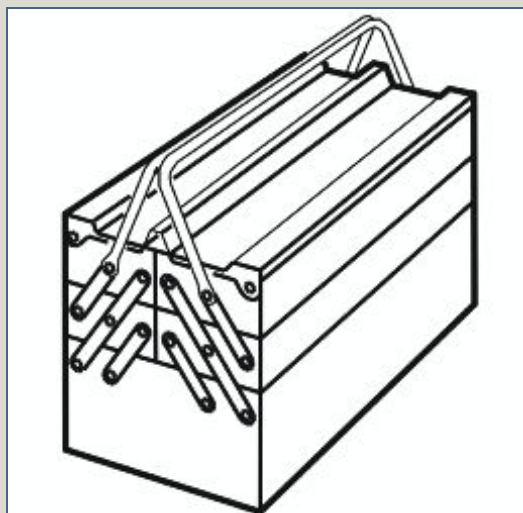
XC90

Section	Group	Weight(Kg/Pounds)	Year	Month
3	39		2001	11

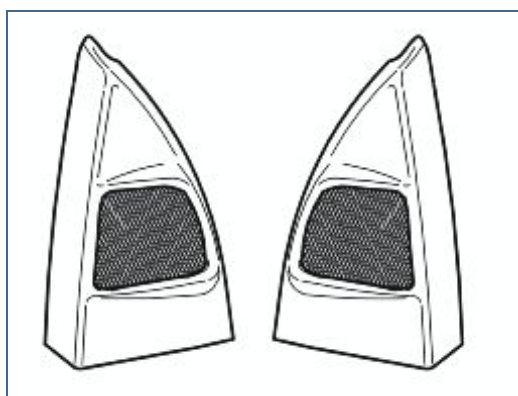
XC90 2003, XC90 2004, XC90 2005, XC90 2006, XC90 2007, XC90 2008, XC90 2009, XC90 2010



Required tools



A0000162



R3903873



Any comments on this publication? Please contact your nearest dealer. Thank you!

Publication no: MA 9162275, Issue: 2001-11
Comments:.....
From:.....
Address:.....
Telephone no:.....
Telefax:.....



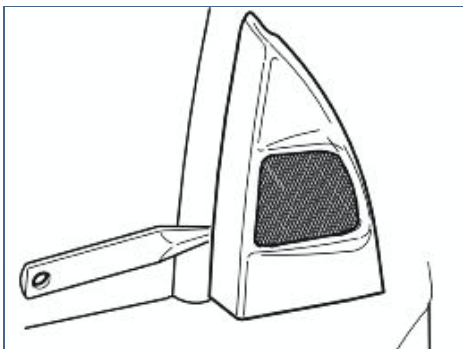
INTRODUCTION

Treble loudspeakers, front door

- **NOTE! Read through the whole installation instruction before starting the work.**
- The front page gives the date of this edition and the edition it replaces
- The second page shows the tools needed for the installation and the contents of the installation kit
- The illustrations display the procedure in order of operation. The order of operation is repeated in the text section
- Cut out the text page in order to follow the illustrations and text at the same time.



1



R3903875

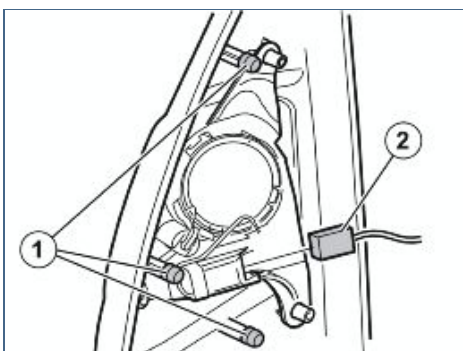
- Remove the panel at the front edge of the door by carefully prying loose using a plastic weatherstrip tool.

Note!

Leave the clips for the panel in the door.

- Place the panel to one side. The panel will not be reused
- Take the existing cable positioned behind the panel.

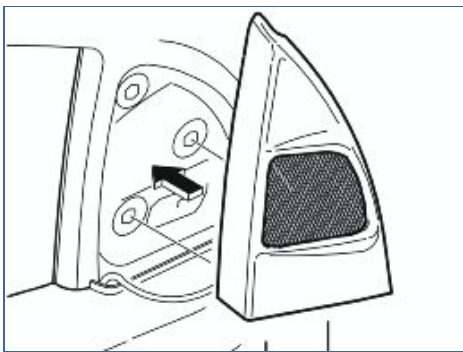
2



R3903876

- Take the panel with the loudspeakers from the kit. Pull off the pre-mounted clips (1) and place to one side. Similar clips are left in the door
- Connect the cable (2) prepared in procedure 1 to the connectors for the treble loudspeakers.

3



R3903874

- Press the panel with the treble loudspeakers in the clips which are in the door
- Repeat the operation on the other side.