



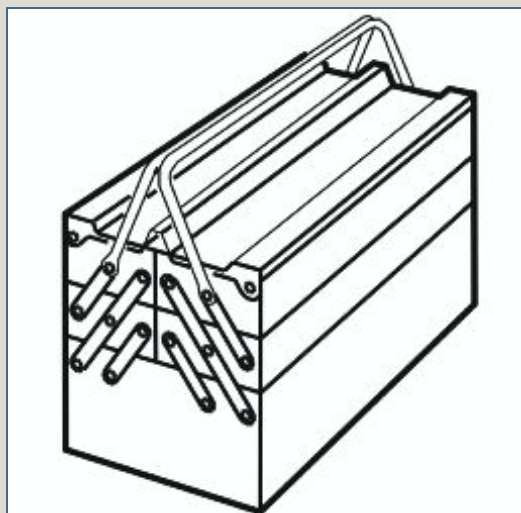
XC90

Section	Group	Weight(Kg/Pounds)	Year	Month
3	36		2001	05

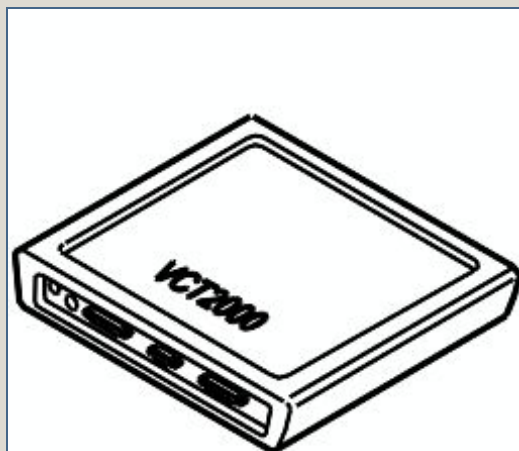
XC90 2003, XC90 2004, XC90 2005, XC90 2006, XC90 2007, XC90 2008, XC90 2009, XC90 2010



Required tools



A0000162



A0801178



R3702824



Any comments on this publication? Please contact your nearest dealer. Thank you!

Publication no: MA 9172730, Issue: 2001-05
Comments:.....
From:.....
Address:.....
Telephone no:.....
Telefax:.....



INTRODUCTION

- **NOTE! Read through the whole installation instruction before starting the work.**
- The front page gives the date of this edition and the edition it replaces
- The second page shows the tools needed for the installation and the contents of the installation kit
- The illustrations display the procedure in order of operation. The order of operation is repeated in the text section
- Cut out the text page in order to follow the illustrations and text at the same time.

Accessory electronic module

Note!

This accessory is connected to the electrical system of the car. It requires software unique to the car.



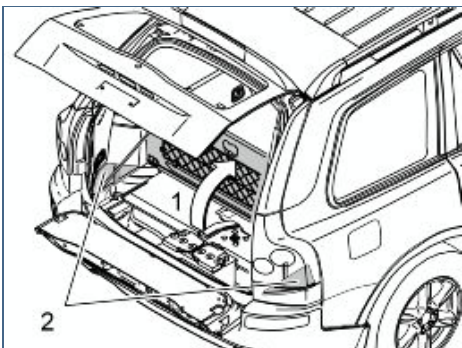
1

- Turn the ignition switch to position 0.

Note!

Wait at least five minutes before disconnecting the connectors or removing other electrical equipment.

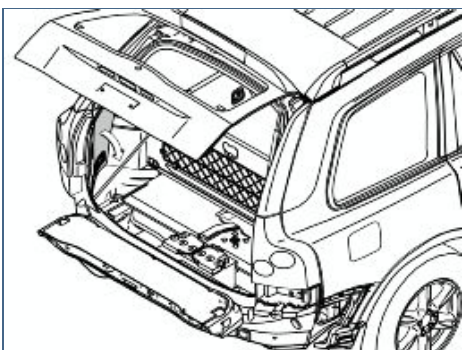
2



R8902382

- Fold up the centre rear floor hatch (1)
- Remove the two side floor hatches (2).

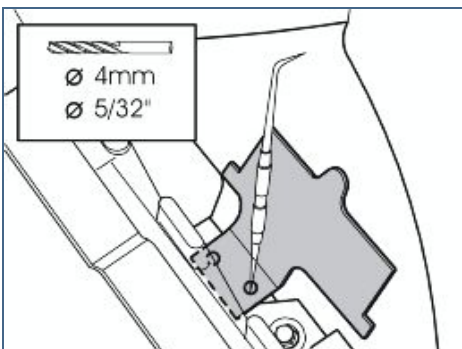
3



R8504080

- Remove the folding side panels on the left and right-hand sides of the cargo compartment.

4

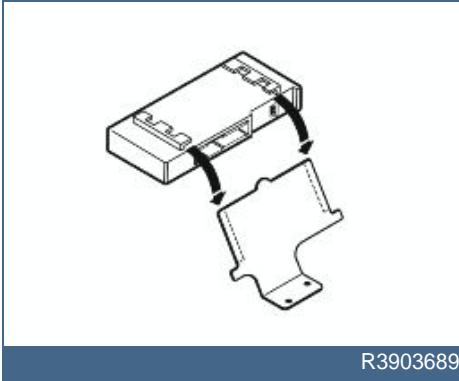


R3702889

- Take the bracket from the kit. Position in the recess on the right-hand rear side member as illustrated
- Mark out for drilling both holes
- Drill out the holes. Use a 4 mm (5/32") diameter drill bit
- Remove any swarf
- Treat the edges of the holes using a rust-proofing agent.



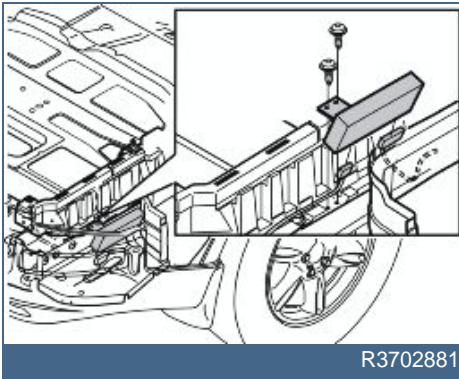
5



R3903689

- Press the control module on to the bracket.

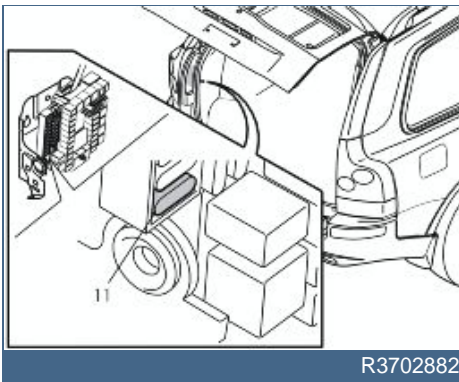
6



R3702881

- Connect the pre-routed connector (positioned under the right-hand tail lamp) to the control module
- Install the bracket with the control module on the right-hand side of the floor support over the existing holes. Tighten the bracket using the two screws.

7



R3702882

- Install the fuse from the kit in position 11 in the fuse holder.

8

- Reinstall the folding side panels
- Reinstall the side panels
- Fold the rear centre floor hatch back into position
- Program the software according to the service information in VIDA.