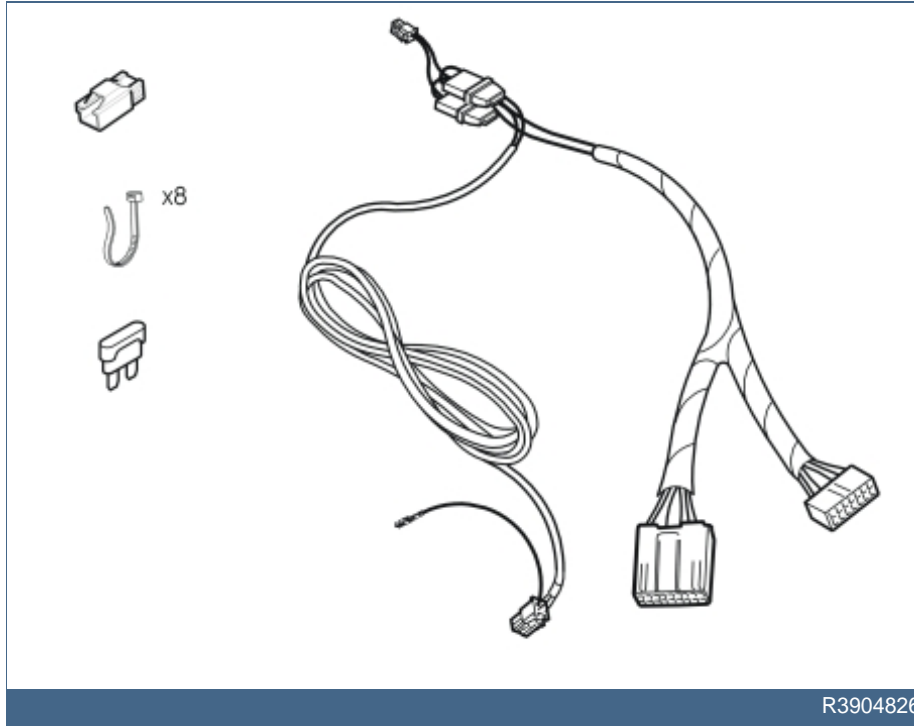


XC90

Section	Group	Weight(Kg/Pounds)	Year	Month
3	39		2003	08

XC90 2003, XC90 2004, XC90 2005, XC90 2006, XC90 2007, XC90 2008

Required tools



Any comments on this publication? Please contact your nearest dealer. Thank you!

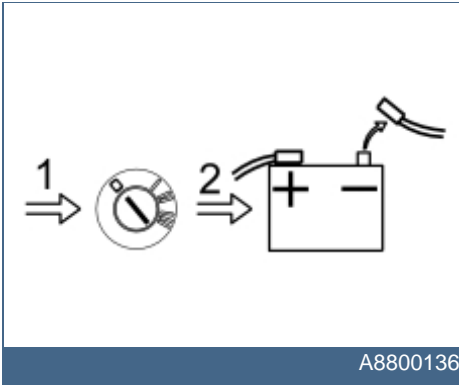
Publication no: MA 8682280, Issue: 2003-08
Comments:.....
From:.....
Address:.....
Telephone no:.....
Telefax:.....

INTRODUCTION

Adapter cable, RSE (Rear Seat Entertainment)

- **NOTE! Read through the entire text before carrying out any work.**
- The front page gives the date of this edition and the edition it replaces
- The second page shows the tools needed for the installation and the contents of the installation kit
- The illustrations display the procedure in order of operation. The order of operation is repeated in the text section
- Cut out the text page in order to follow the illustrations and text at the same time.

1



- Turn the ignition key to position 0
- Disconnect the battery negative lead.

Note!

Wait at least five minutes before disconnecting the connectors or removing other electrical equipment.

2

**Applies to two-wheel drive cars with two rows of seats**

- Remove the rear floor hatch (1) by folding it back slightly and pulling it backwards out of its mountings.

Applies to other cars with two rows of seats

- Fold up the rear floor hatch (1)
- If the floor hatch has a carrier bag holder on the lower side, it is secured in the car by two straps either side of the bottom of the carrier bag holder. Pull both straps away from the protruding mountings
- Remove the storage box from under the floor hatch. Lift out the storage box.

Applies to cars with three rows of seats and integrated carrier bag holder on the underside of the floor hatch

- Fold up the rear floor hatch (1)
- Disconnect the two straps on either side of the bottom of the carrier bag holder from the protruding mountings. Lift up the rear edge of the carrier bag holder, fold the floor hatch back towards the bottom and lift out the carrier bag holder.

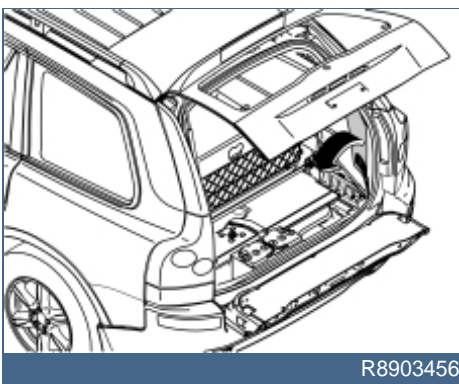
Applies to cars with three rows of seats without an integrated carrier bag holder

- Fold up the rear floor hatch (1) at the rear edge and lift it out.

Applies to all models

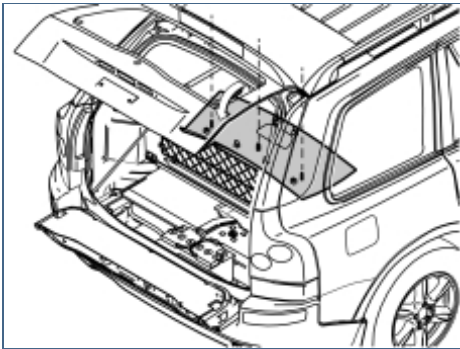
- Lift out the right-hand side floor hatch (2). Lift the floor hatch straight up.

3



- Remove the rear side panels on the right and left-hand sides.

4



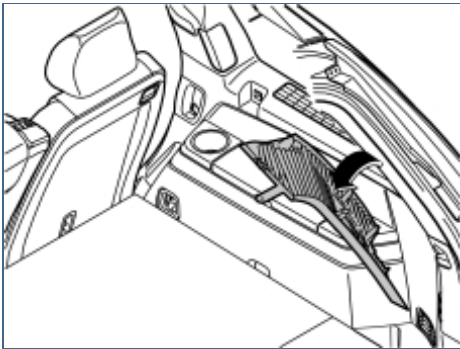
R8504084

- Remove the covers from the rear headlining panel. Remove the screws from inside the panels
- Carefully pry off the headlining panel at the rear edge using a plastic weatherstrip tool
- Grip the rear edge of the headlining panel. Pull the headlining panel down until all the clips on the inside release.

Applies to cars with three rows of seats

- Disconnect the connector for the rear roof lighting. Pull the panel backwards.

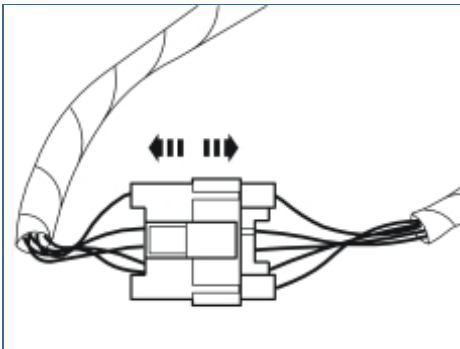
5



R8504086

- Carefully detach the D-post panels on the right and left-hand sides. Start at the top edge then pull down until the three clips release
- If the car has D-post loudspeakers: disconnect the connectors for the loudspeakers.

6A



R3904829

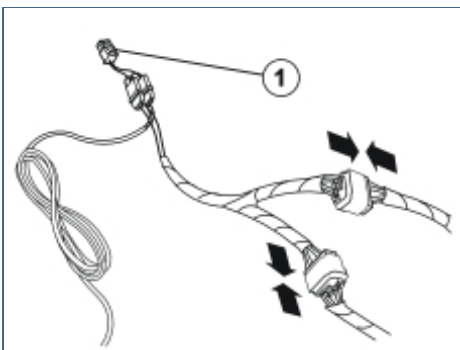
Illustration A

- Locate the 13-pin connector at the right-hand tail lamp
- If the 13-pin connector is connected to the towbar wiring connector: disconnect the connectors from each other.

Illustration B

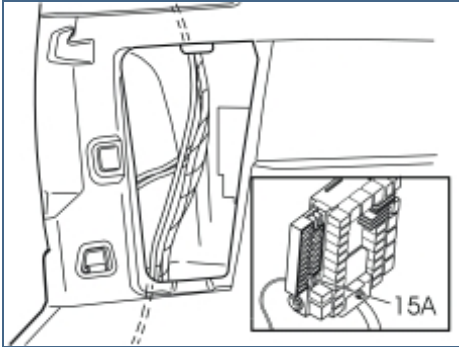
- Take the cable harness from the kit
- Connect the 13-pin connector for the cable harness to the existing connector at the right-hand tail lamp. Connect the other connector to the towbar wiring (if applicable)
- Connect the green connector (1) to the RSE system if this is installed in the car.

6B



R3904831

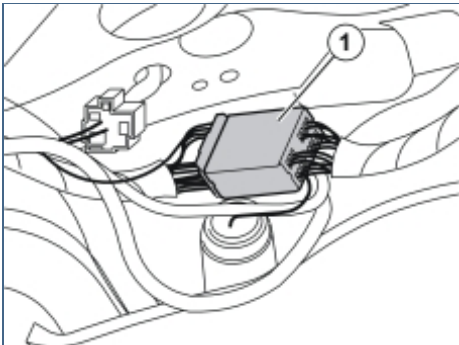
7



R3904843

- Route the long single cable through the hole under the foam rubber to the battery
- Continue to route the cable along the existing cable harness behind the battery and on through the hole under the foam rubber, into the left-hand tail lamp
- Continue to route the cable together with the existing cable harness along the left-hand D-post up to the roof
- Install a 15A fuse in position 9 in REM.

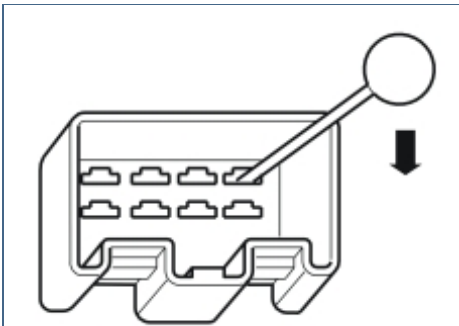
8



R3904827

- Locate the 14-pin connector (1) in the left-hand corner of the roof above the D-post
- Disconnect the clip for the connector from the roof by pulling the connector straight down from the roof
- Separate the connector.

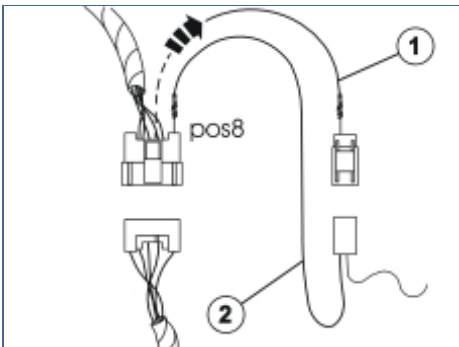
9



R3904828

- Disconnect the cable pin (1) in position 8 in the female terminal. Lift the red catches on the connector and press out the entire red plastic insert
- Using a thin, pointed object, press the catch holding the cable pin to one side. Pull out the cable at the same time.

10



R3904830

- Connect the pin (1) that has just been disconnected to the 2-pin connector from the kit in position 1. (Use the same method as for the 14-pin connector)
- Connect the remaining cable (2) from the 2-pin connector for the adapter cable to position 8 in the 14-pin female terminal from the car. This final connection reconnects the power to the position from where the pin was previously removed
- Reinstall the plastic catches on the connectors
- Connect both connectors to the corresponding connectors
- Reinstall the 14-pin connector at the roof using the clip.

11

- Clamp the adapter cable to the existing cable harness at regular intervals
 - Clamp at the points where the existing cable harness is secured in the car with clips.
-

12

- Reconnect the battery negative lead
 - Insert the key in the ignition and turn to position I
 - Check that the RSE system is powered
 - Reinstall the removed panels in reverse order.
-