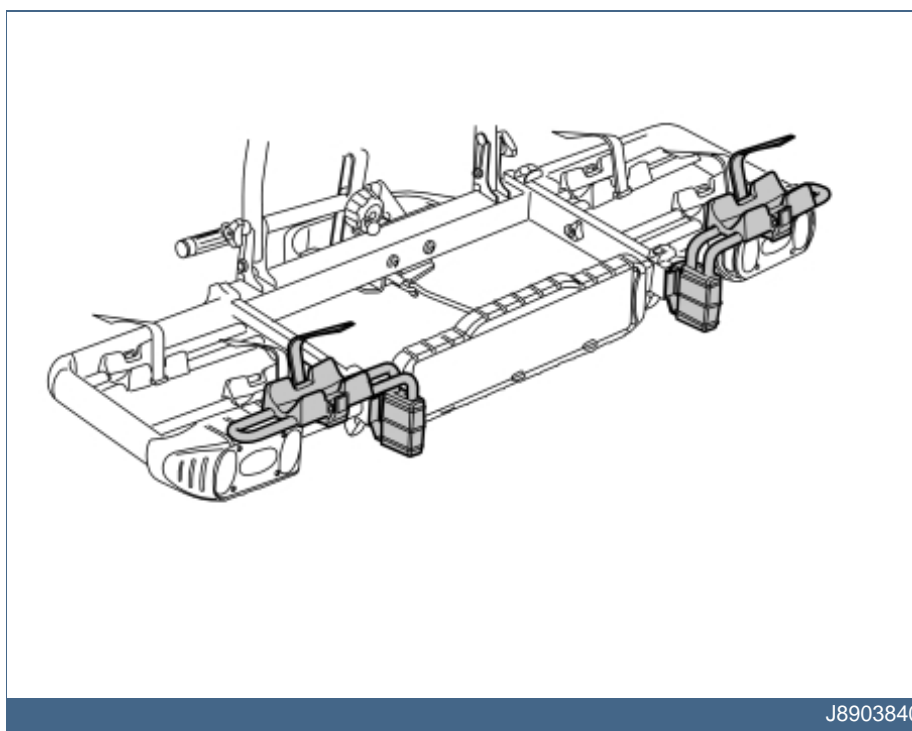




S80 (-06) / V70 XC (01-) / XC70 (-07) / S60 / V70 (00-08) / XC90 / S40 (04-) / V50	Section	Group	Weight (Kg/Pounds)	Year	Month
	8	89		2004	04

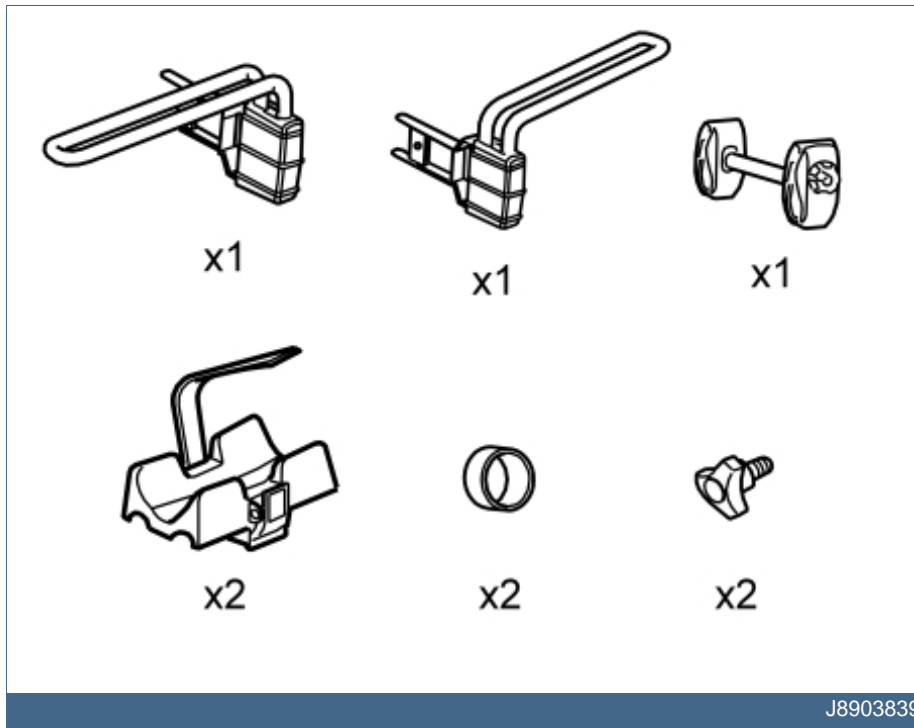
S40 (04-) 2004, S40 (04-) 2005, S40 (04-) 2006, S40 (04-) 2007, S40 (04-) 2008, S60 2001, S60 2002, S60 2003, S60 2004, S60 2005, S60 2006, S60 2007, S60 2008, S80 (-06) 1999, S80 (-06) 2000, S80 (-06) 2001, S80 (-06) 2002, S80 (-06) 2003, S80 (-06) 2004, S80 (-06) 2005, S80 (-06) 2006, V50 2004, V50 2005, V50 2006, V50 2007, V50 2008, V70 (00-08) 2000, V70 (00-08) 2001, V70 (00-08) 2002, V70 (00-08) 2003, V70 (00-08) 2004, V70 (00-08) 2005, V70 (00-08) 2006, V70 (00-08) 2007, V70 (00-08) 2008, V70 XC (01-) / XC70 (-07) 2001, V70 XC (01-) / XC70 (-07) 2002, V70 XC (01-) / XC70 (-07) 2003, V70 XC (01-) / XC70 (-07) 2004, V70 XC (01-) / XC70 (-07) 2005, V70 XC (01-) / XC70 (-07) 2006, V70 XC (01-) / XC70 (-07) 2007, XC90 2003, XC90 2004, XC90 2005, XC90 2006, XC90 2007, XC90 2008



J8903840



Required tools



Any comments on this publication? Please contact your nearest dealer. Thank you!

Publication no: MA 30660948, Issue: 2004-04
Comments:.....
From:.....
Address:.....
Telephone no:.....
Telefax:.....



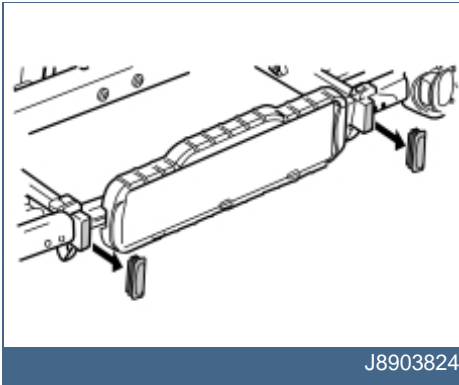
INTRODUCTION

Adapter extra bicycle

- **NOTE! Read through the entire text before carrying out any work.**
- The front page gives the date of this edition and the edition it replaces
- The second page shows the tools needed for the installation and the contents of the installation kit
- The illustrations display the procedure in order of operation. The order of operation is repeated in the text section
- Cut out the text page in order to follow the illustrations and text at the same time.



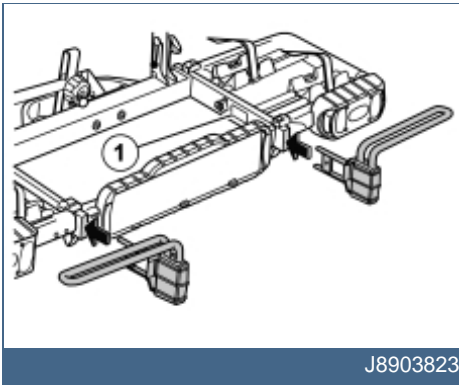
1



J8903824

- Remove the cover.

2A



J8903823

Illustration A

- Remove the labels (1) for the holes
- Install the adapters. Turn them as displayed in illustrations B and C.

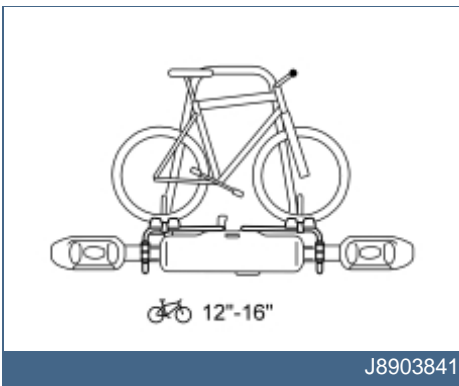
12"-16"

- For 12"-16" bicycles the holders are positioned as displayed in illustration B.

16"-28"

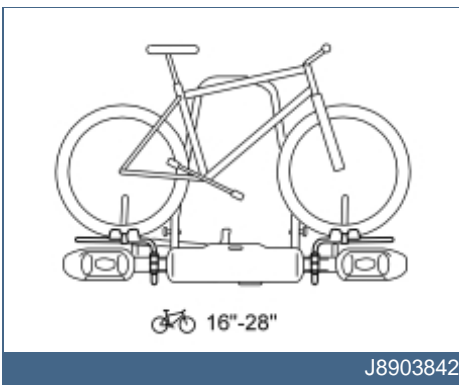
- For 16"-28" bicycles the holders are positioned as displayed in illustration C.

2B



J8903841

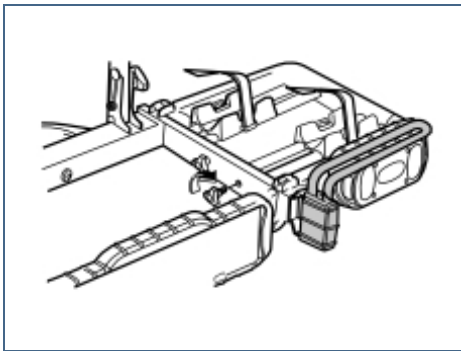
2C



J8903842



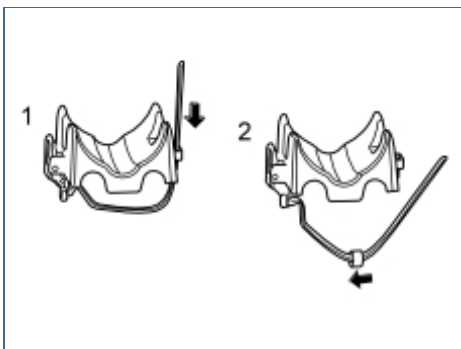
3



J8903831

- Install the mounting screws and tighten the adapters.

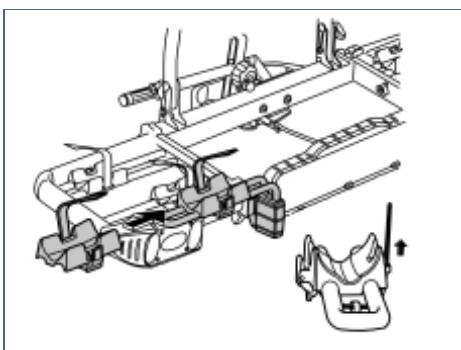
4



J8903837

- Thread the rings onto the straps.

5



J8903832

- Install the wheel holders so that they are locked with a "click".