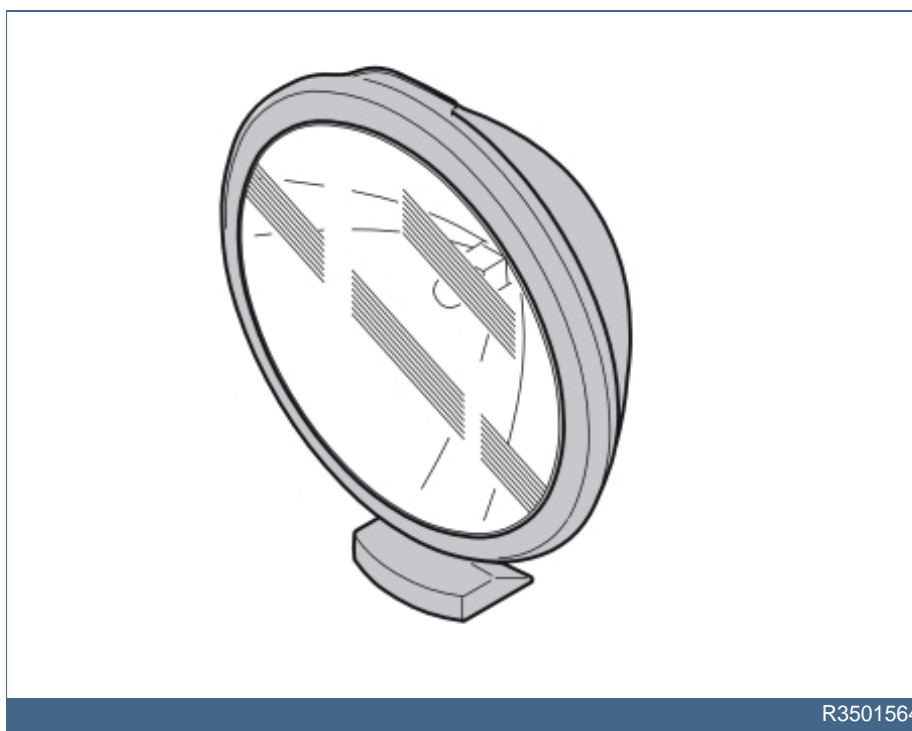




S80 (-06) / V70 XC (01-) / XC70 (-07) / S60 / V70 (00-08) / XC90 / S40 (04-) / V50	Section	Group	Weight (Kg/Pounds)	Year	Month
	3	35		2002	11

S40 (04-) 2004, S40 (04-) 2005, S40 (04-) 2006, S40 (04-) 2007, S40 (04-) 2008, S60 2001, S60 2002, S60 2003, S60 2004, S60 2005, S60 2006, S60 2007, S60 2008, S80 (-06) 1999, S80 (-06) 2000, S80 (-06) 2001, S80 (-06) 2002, S80 (-06) 2003, S80 (-06) 2004, S80 (-06) 2005, S80 (-06) 2006, V50 2004, V50 2005, V50 2006, V50 2007, V50 2008, V70 (00-08) 2000, V70 (00-08) 2001, V70 (00-08) 2002, V70 (00-08) 2003, V70 (00-08) 2004, V70 (00-08) 2005, V70 (00-08) 2006, V70 (00-08) 2007, V70 (00-08) 2008, V70 XC (01-) / XC70 (-07) 2001, V70 XC (01-) / XC70 (-07) 2002, V70 XC (01-) / XC70 (-07) 2003, V70 XC (01-) / XC70 (-07) 2004, V70 XC (01-) / XC70 (-07) 2005, V70 XC (01-) / XC70 (-07) 2006, V70 XC (01-) / XC70 (-07) 2007, XC90 2003, XC90 2004



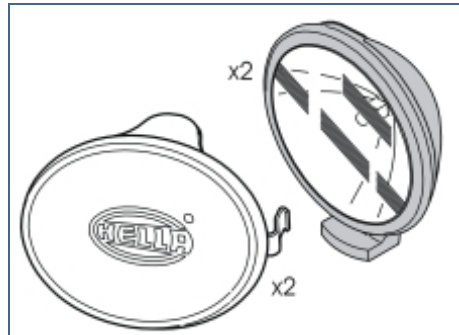


Required tools

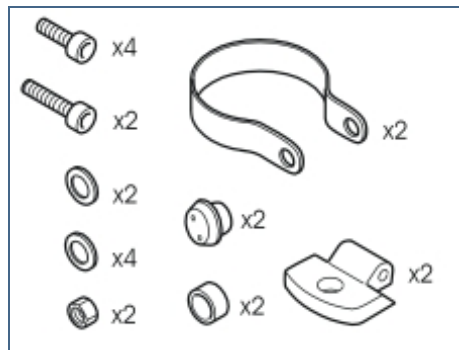


Nm
lbf.ft

A0000161



R3501566



R3501565



Any comments on this publication? Please contact your nearest dealer. Thank you!

Publication no: MA 8671038, Issue: 2002-11
Comments:.....
From:.....
Address:.....
Telephone no:.....
Telefax:.....



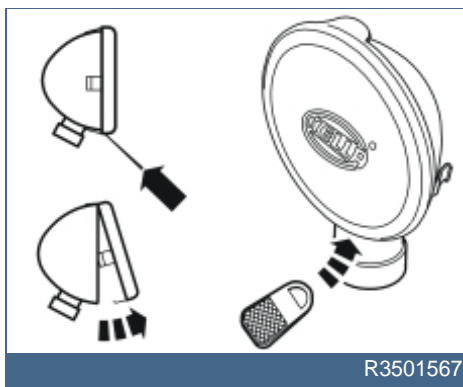
INTRODUCTION

Auxiliary spotlamps

- **NOTE! Read through the entire text before carrying out any work.**
- The front page gives the date of this edition and the edition it replaces
- The second page shows the tools needed for the installation and the contents of the installation kit
- The illustrations display the procedure in order of operation. The order of operation is repeated in the text section
- Cut out the text page in order to follow the illustrations and text at the same time.

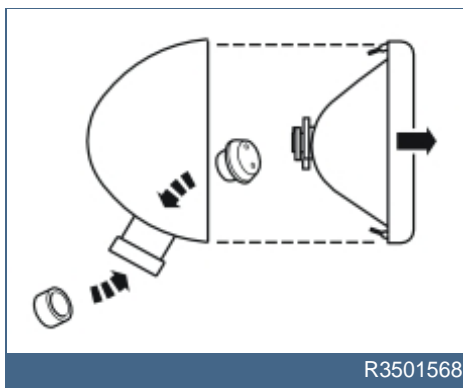


1



- Pry the light insert from the lamp housing using the tool supplied.

2



- Install the rubber grommet and the metal ring on the lamp housing.

3A

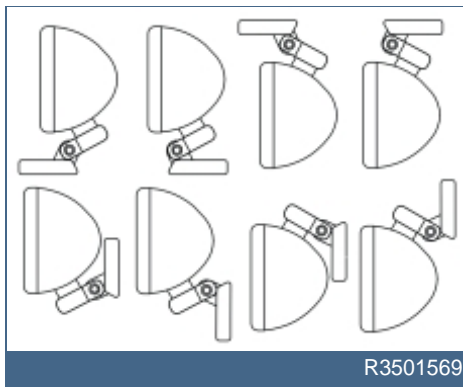


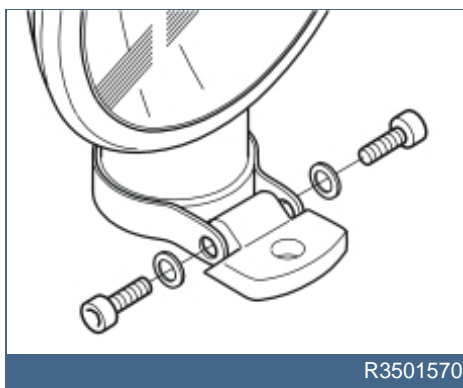
Illustration A

The spot lamp can be installed in several different ways. See the illustration.

Illustration B

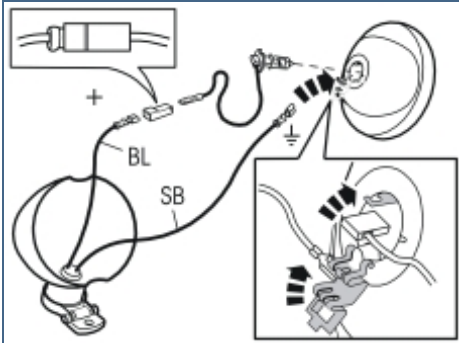
- Install the mounting in the required way on the lamp housing. Use two screws and two washers.

3B





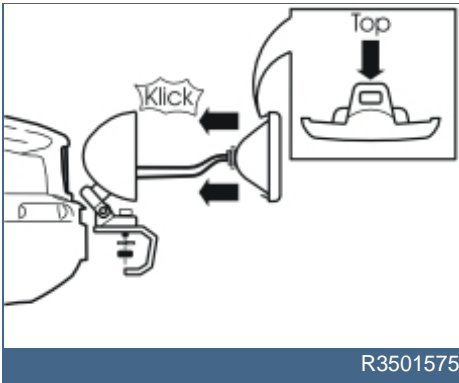
4



R3501571

- Insert the cables through the lamp housing
- Install the flat pin contactors on both the cables
- Supply the blue cable (BL) with a socket housing to prevent short-circuits
- Connect the blue cable (BL) to the cable for the lamp
- Connect the black cable (SB) to ground on the light insert.

5



R3501575

- Assemble the light insert and the lamp housing. Carefully stretch the cables
- Install the spot lamp on the bracket.