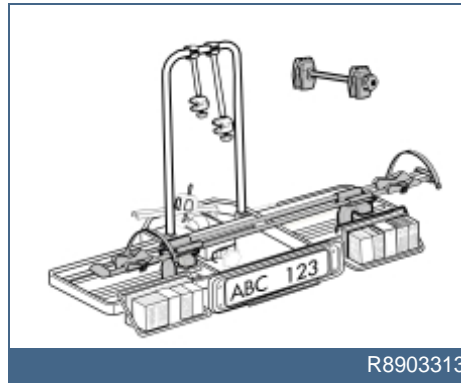


**S80 (-06) / V70 XC (01-) / XC70 (-07) / S60 / V70
(00-08) / XC90 / S40 (04-) / V50**

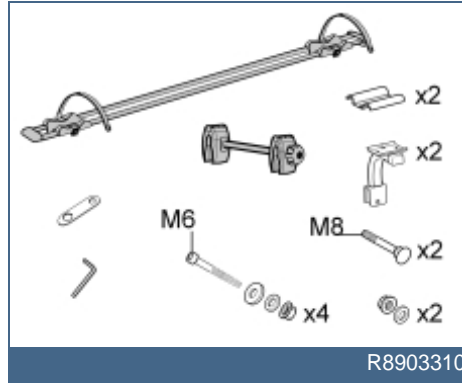
Section	Group	Weight (Kg/Pounds)	Year	Month
8	89		2002	11

S40 (04-) 2004, S40 (04-) 2005, S40 (04-) 2006, S40 (04-) 2007, S40 (04-) 2008, S60 2001, S60 2002, S60 2003, S60 2004, S60 2005, S60 2006, S60 2007, S60 2008, S80 (-06) 1999, S80 (-06) 2000, S80 (-06) 2001, S80 (-06) 2002, S80 (-06) 2003, S80 (-06) 2004, S80 (-06) 2005, S80 (-06) 2006, V50 2004, V50 2005, V50 2006, V50 2007, V50 2008, V70 (00-08) 2000, V70 (00-08) 2001, V70 (00-08) 2002, V70 (00-08) 2003, V70 (00-08) 2004, V70 (00-08) 2005, V70 (00-08) 2006, V70 (00-08) 2007, V70 (00-08) 2008, V70 XC (01-) / XC70 (-07) 2001, V70 XC (01-) / XC70 (-07) 2002, V70 XC (01-) / XC70 (-07) 2003, V70 XC (01-) / XC70 (-07) 2004, V70 XC (01-) / XC70 (-07) 2005, V70 XC (01-) / XC70 (-07) 2006, V70 XC (01-) / XC70 (-07) 2007, XC90 2003, XC90 2004, XC90 2005, XC90 2006, XC90 2007, XC90 2008

Replaces
issue:
2001 02



Required tools



Any comments on this publication? Please contact your nearest dealer. Thank you!

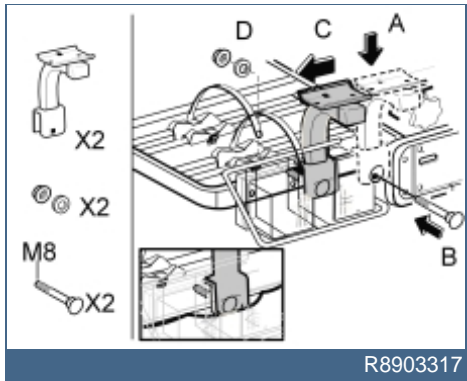
Publication no: MA 8622941, Issue: 2002-11
Comments:.....
From:.....
Address:.....
Telephone no:.....
Telefax:.....

INTRODUCTION

Bicycle holder for additional bicycles, mounted on the tow bar

- **NOTE! Read through the entire text before carrying out any work.**
- The front page gives the date of this edition and the edition it replaces
- The second page shows the tools needed for the installation and the contents of the installation kit
- The illustrations display the procedure in order of operation. The order of operation is repeated in the text section
- Cut out the text page in order to follow the illustrations and text at the same time.

1

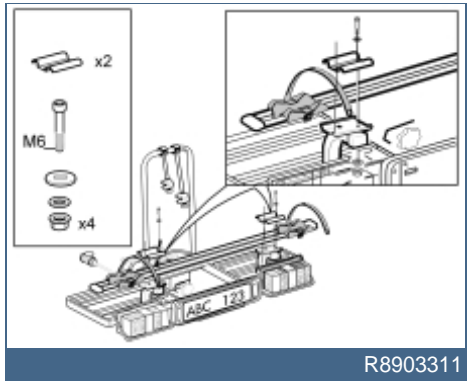


Mounting the brackets for the additional bicycle holder

- Push the cable to one side when installing, as illustrated.

R8903317

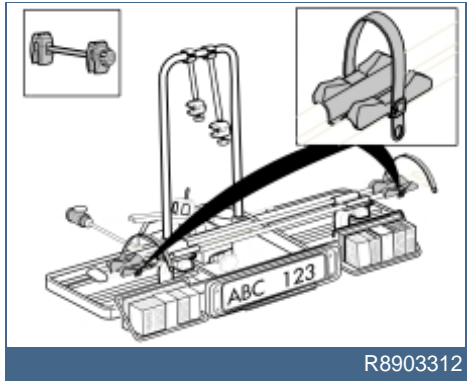
2



Mounting the additional bicycle holder

R8903311

3



Installing the wheel strap and the bicycle frame holder

Note!

When transporting an additional bicycle, install the supplied bicycle frame holder high up on the frames on the second and third bicycles. Do not obstruct the high-mounted brake lamp (if applicable).

R8903312