



XC90

Section	Group	Weight(Kg/Pounds)	Year	Month
8	89		2002	02

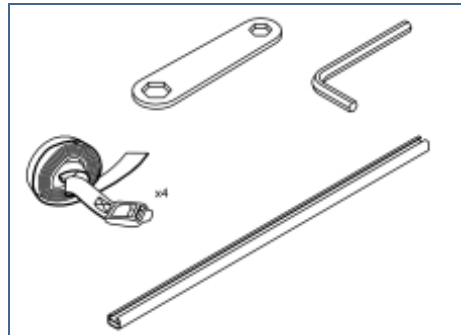
XC90 2003, XC90 2004, XC90 2005, XC90 2006, XC90 2007, XC90 2008



Required tools



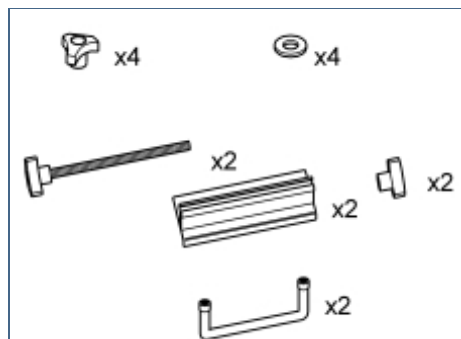
A0000162



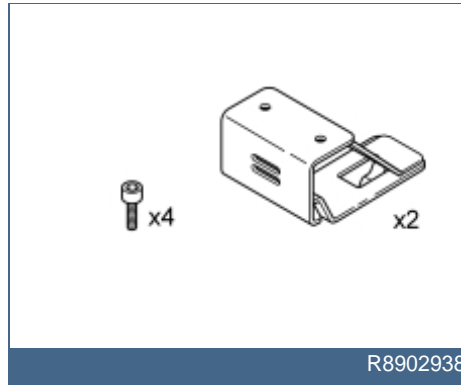
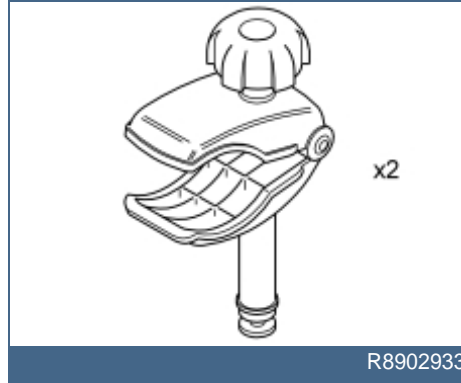
R8902932



M8902647



M8902648



Any comments on this publication? Please contact your nearest dealer. Thank you!

Publication no: MA 8682434, Issue: 2002-02
Comments:.....
From:.....
Address:.....
Telephone no:.....
Telefax:.....



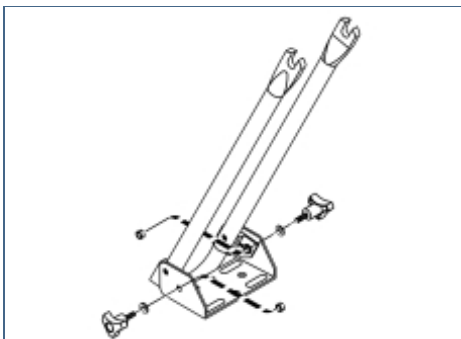
INTRODUCTION

Bicycle holder, interior

- **NOTE! Read through the entire text before carrying out any work.**
- The front page gives the date of this edition and the edition it replaces
- The second page shows the tools needed for the installation and the contents of the installation kit
- The illustrations display the procedure in order of operation. The order of operation is repeated in the text section
- Cut out the text page in order to follow the illustrations and text at the same time.



1

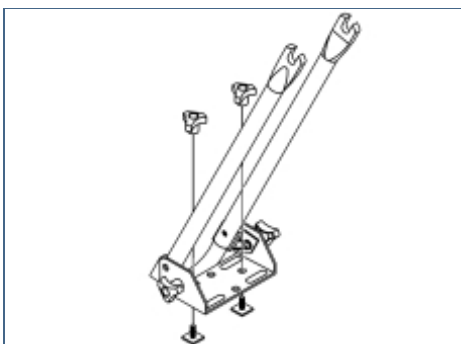


M8902652

Installing the bicycle holder

- Install the two M6 knobs with threads, two washers and two M6 nuts (from the kit) on the sides of the wheel holder
- Repeat the operation on the wheel holder.

2

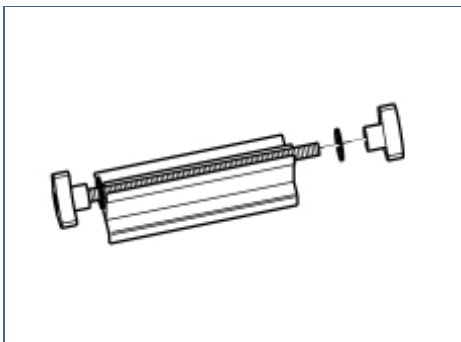


M8902653

Installing the bicycle holder

- Take two T-groove screws and two M6 knobs from the kit. Install the T-groove screws underneath the wheel holder. Screw in the two knobs a few turns
- Repeat the operation on the wheel holder.

3

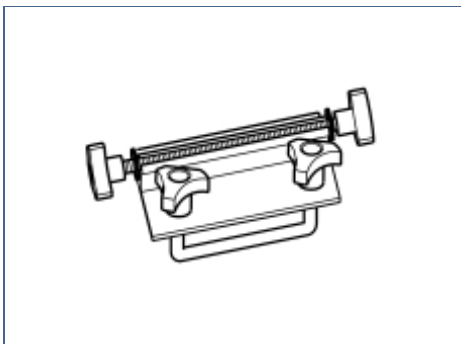


M8902654

Installing the bicycle holder

- Take an M8 knob with a screw and washer from the kit. Position the washer against the knob
- Install the M8 knob with the washer and screw in the fork mounting
- Take another washer and M8 knob from the kit and position on the other end of the screw
- Repeat the operation with the other fork mounting.

4



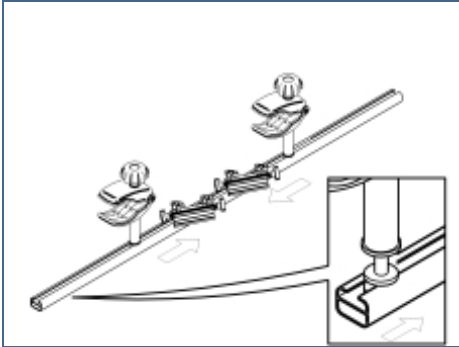
M8902655

Installing the bicycle holder

- Take two M6 knobs and a mounting bracket from the kit. Install the bracket on the underside of the fork mounting. Screw in the two M6 knobs a few turns
- Repeat the operation with the other fork mounting.



5

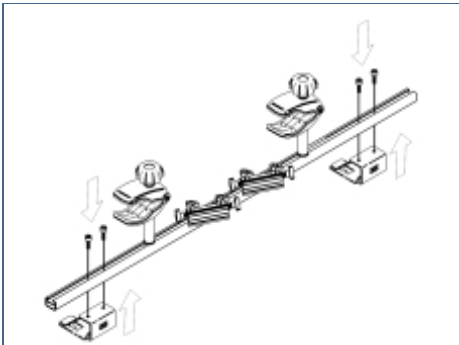


R8902939

Installing the bicycle holder

- Position both the fork mountings in the centre of the aluminium rod. They must be slightly apart and at an angle
- Tighten the knobs on top of the fork mountings so that both fork mountings are secure
- Compress both halves on the saddle holders
- Install the saddle holders on the aluminium rod, outside the fork mountings.

6

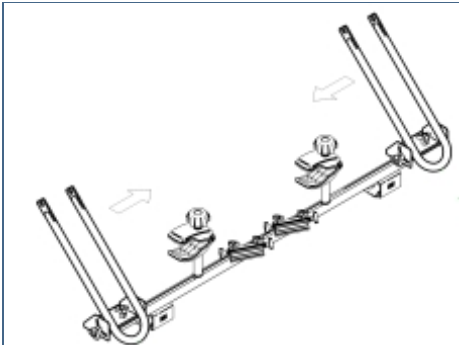


R8902937

Installing the bicycle holder

- Take the four screws and the two mountings from the kit. Install the mountings underneath the aluminium rod outside of the saddle holders. Tighten the mountings.

7

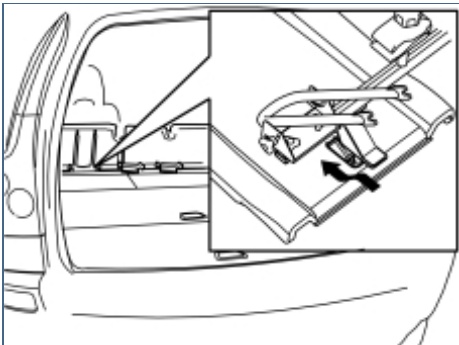


R8902936

Installing the bicycle holder

- Install both the wheel holders at the top of the aluminium rod
- Tighten the knobs on the side so that both wheel holders are secure.

8



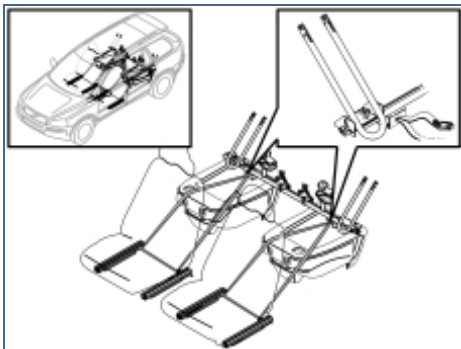
R8902975

Installing the bicycle holder

- Fold the rear backrests forwards
- Lift in the bicycle holder through one of the rear doors
- Slide the two mountings on the bicycle holder into the eyelets at the bottom of the outer rear backrests.



9

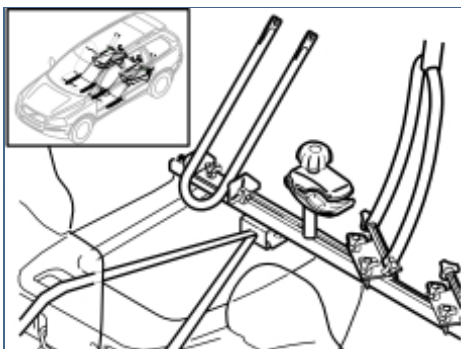


R8902977

Installing the bicycle holder

- Secure the bicycle holder in the eyelets on the rear mountings on the front seats. Use the straps from the kit
- Tighten the straps fully.

10

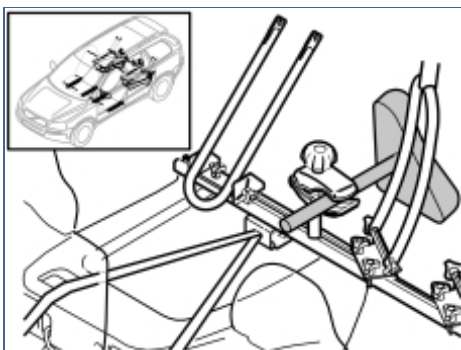


R8902978

Installing the bicycle holder

- Remove the front wheel and the saddle from the bicycle
- Lift the bicycle into the car through the boot
- Secure the front forks in the right-hand fork mounting. Tighten the two knobs on the sides fully.

11

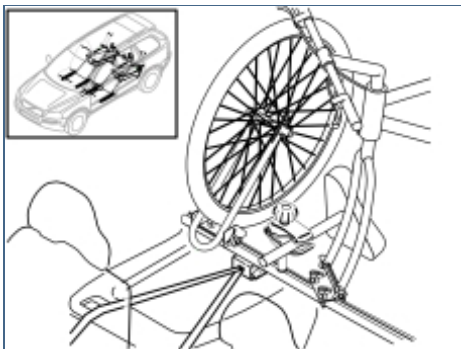


R8902979

Installing the bicycle holder

- Secure the saddle in the saddle holder. Tighten the knob fully.

12



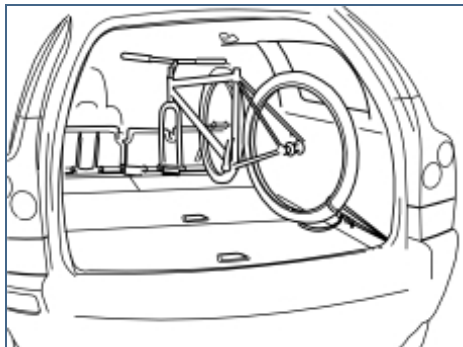
R8902980

Installing the bicycle holder

- Secure the front wheel in the right-hand wheel holder
- Adjust the angle of the wheel holder using the two knobs on the sides so that the wheel is correctly positioned in the wheel holder
- Install the wheel. Secure the wheel using the wheel nuts
- Tighten the wheel holder fully using the two knobs on the sides when the wheel is resting against the folded backrest.



13

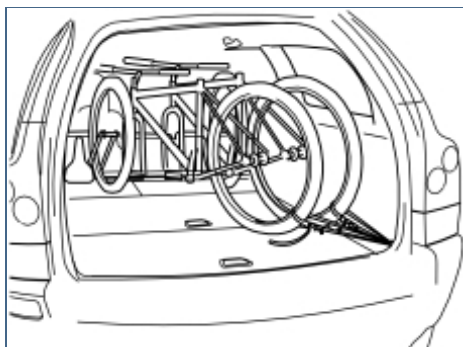


R8902940

Installing the bicycle holder

- Secure the bicycle using a retaining strap through the rear wheel and through the load securing eyelet as illustrated. Tighten the bicycle so that it cannot move.

14



R8902941

Installing the bicycle holder

- Carry out the same procedure when loading further bicycles. Turn the other bicycle in the same direction as the first to ensure optimal utilisation of the cargo compartment. Secure the bicycle using a strap as before.