



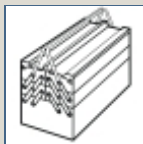
S80 (-06) / V70 XC (01-) / XC70 (-07) / S60 / V70 (00-08) / XC90 / S40 (04-) / V50	Section	Group	Weight (Kg/Pounds)	Year	Month
	8	89		2003	08

S40 (04-) 2004, S40 (04-) 2005, S40 (04-) 2006, S40 (04-) 2007, S40 (04-) 2008, S60 2001, S60 2002, S60 2003, S60 2004, S80 (-06) 1999, S80 (-06) 2000, S80 (-06) 2001, S80 (-06) 2002, S80 (-06) 2003, S80 (-06) 2004, V50 2004, V50 2005, V50 2006, V50 2007, V50 2008, V70 (00-08) 2000, V70 (00-08) 2001, V70 (00-08) 2002, V70 (00-08) 2003, V70 (00-08) 2004, V70 XC (01-) / XC70 (-07) 2001, V70 XC (01-) / XC70 (-07) 2002, V70 XC (01-) / XC70 (-07) 2003, V70 XC (01-) / XC70 (-07) 2004, XC90 2003, XC90 2004, XC90 2005, XC90 2006, XC90 2007, XC90 2008

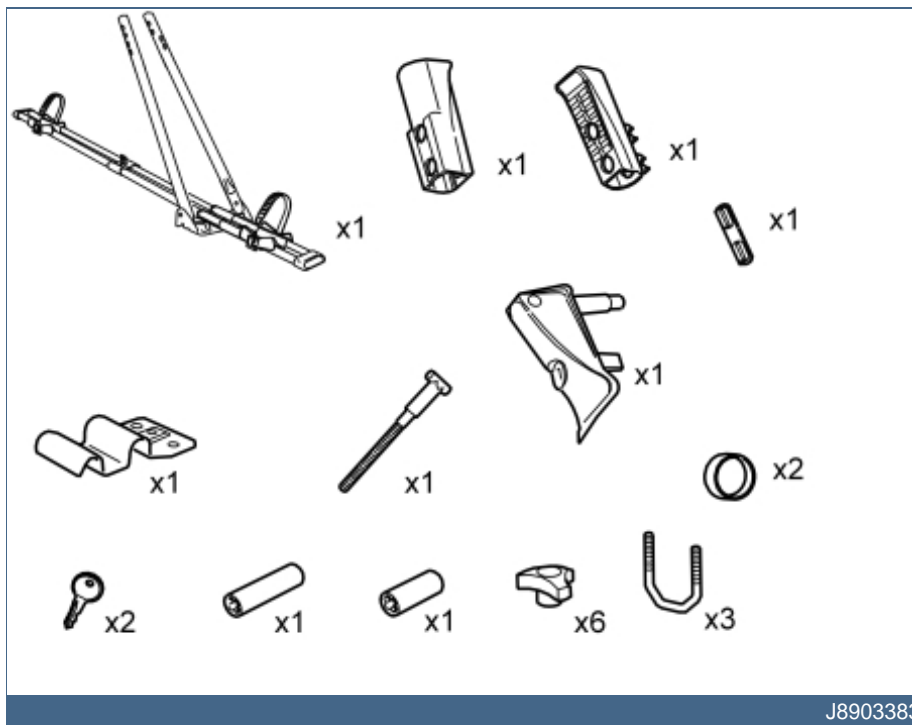
Replaces issue: 2003 02



Required tools



A0000162



J8903383

Any comments on this publication? Please contact your nearest dealer. Thank you!

Publication no: MA 30664232, Issue: 2003-08
Comments:.....
From:.....
Address:.....
Telephone no:.....
Telefax:.....





INTRODUCTION

- **NOTE! Read through the entire text before carrying out any work.**
- The front page gives the date of this edition and the edition it replaces
- The second page shows the tools needed for the installation and the contents of the installation kit
- The illustrations display the procedure in order of operation. The order of operation is repeated in the text section
- Cut out the text page in order to follow the illustrations and text at the same time.

Bicycle holder, roof mounted

Note!

Important:

Regularly check that the load carriers are properly secured

Regularly check that the bicycle and bicycle holder are properly secured

Handling is affected by the actual load and its position. The centre of gravity of the car changes when driving with a load, which affects the handling of the car. Adjust your speed accordingly

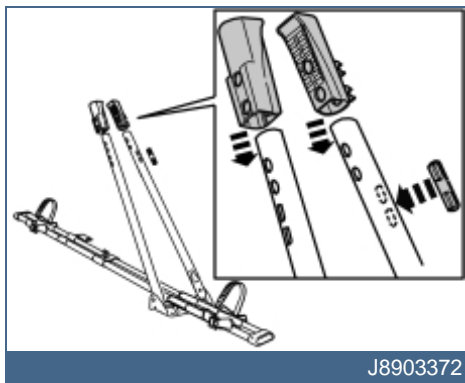
The load increases the total height of the car which affects accessibility. Be aware of low roofs and entrances.



1

- Install the load carriers according to the separate Installation Instructions. If there are no set positions for the load carriers, they should be positioned approximately **800 mm (32")** apart
- **Applies to cars with rails:** Position the load carriers so that there is no risk of the tailgate catching the bicycle holder when it is opened.

2

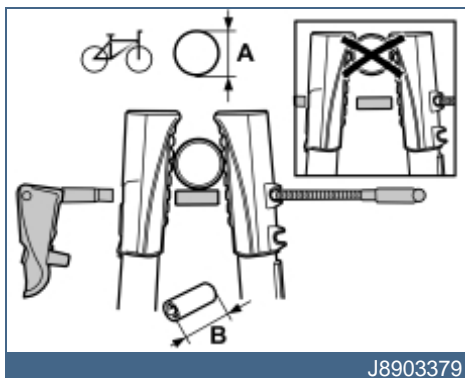


Assembling the bicycle holder

- Install the frame holders (from the kit) on the tubes. Ensure that the frame holders are on the correct side for bicycle holders mounted on the left or right-hand sides. This is to ensure that the lock can be reached
- Cover the holes using the rubber blind cover plugs from the kit.

Note!
Do not cover the holes where the latch will be positioned.

3A



Assembling the bicycle holder

- Measure the diameter of the bicycle frame to determine which installation version applies for the bicycle.

Illustration A

- **Frame diameter (A): 22 - 58 mm (0.87" - 2.28")**
- Install the frame holder screw (from the kit) in the upper hole in the frame holder
- Take the short frame protection (B) from the kit. Thread the frame protection onto the screw
- Screw the latch (from the kit) on to the frame holder screw
- Secure the frame holder screw in its cut out.

3B

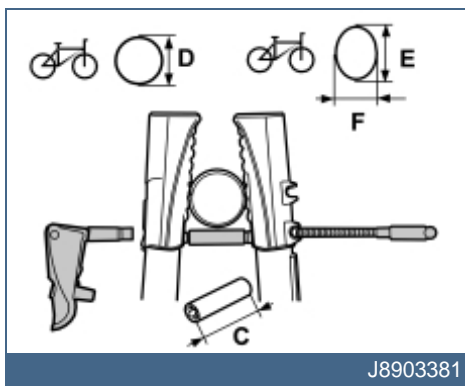
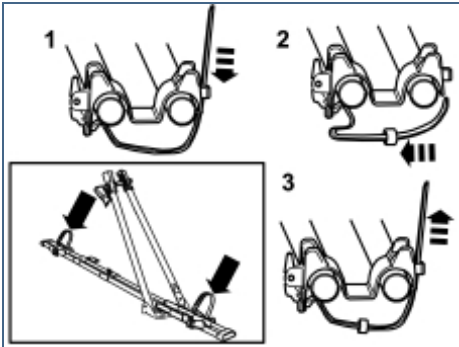


Illustration B

- **Frame diameter (D): 59 - 70 mm (2.32" - 2.75") and Oval frame (E, F): max 65 x 80 mm (2.56" x 3.15")**
- Install the frame holder screw (from the kit) in the lower hole in the frame holder
- Take the long frame protection (C) from the kit. Thread the frame protection onto the screw
- Screw the latch (from the kit) onto the frame holder screw
- Secure the frame holder screw in its cut out.



4

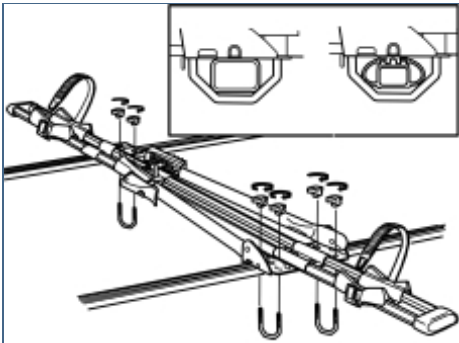


J8903374

Assembling the bicycle holder

- Ensure that the tensioner straps are on the correct side for bicycle holders mounted on the left or right-hand sides. This is done by turning the entire bicycle holder. Thread the rubber straps (from the kit) onto the tensioner straps, as illustrated.

5

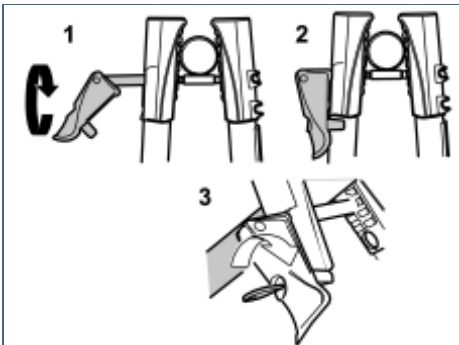


J8903378

Installing the bicycle holder on the load carriers

- Take mounting strips, U-shaped screws and knobs from the kit. Install the bicycle holder on the load carriers, as illustrated. Tighten to **3 Nm (2.2 lbf. ft.)**.

6



J8903375

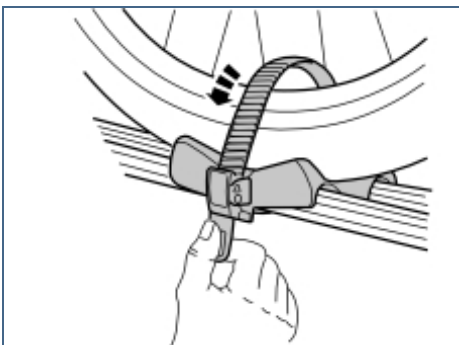
Securing bicycles

- Position the bicycle on the bicycle holder
- Squeeze the frame holders together around the frame. Tighten the frame holders using the lock handle
- Secure with the lock handle and engage the lock.

Note!

Always ensure that the lock handle is locked during transit to prevent the bicycle from shaking loose.

7



J8903382

Securing bicycles

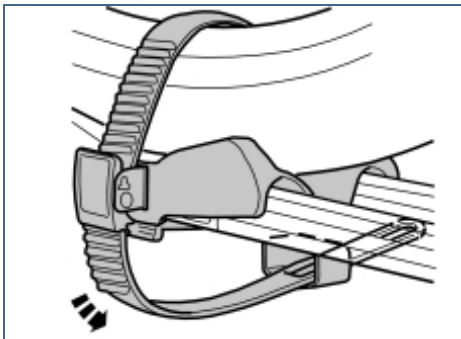
- Secure the wheels with the tensioner straps. Ensure that the bicycle is stable.

Warning!

The bicycle can shake loose if it is not properly secured!



8



J8903371

Securing bicycles

- Thread any excess tensioner strap into the rubber straps that were installed earlier. This holds the straps in place and prevents them rubbing against or hitting the roof of the car.

Note!

Check that the bicycle and bicycle holder are properly secured

Check again after driving a short distance

Repeat the check at suitable intervals

Tighten the tensioning straps and frame holders if necessary.