



**S80 (-06) / V70 XC (01-) / XC70 (-07) / S60 / V70  
(00-08) / XC90 / S40 (04-) / V50 / C70 (06-) / S80  
(07-) / C30 / V70 (08-) / XC70 (08-)**

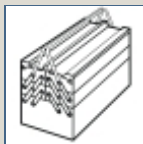
Section	Group	Weight (Kg/Pounds)	Year	Month
3	394	0.5/1	2006	10

C30 2007, C30 2007, C30 2008, C70 (06-) 2006, C70 (06-) 2006, C70 (06-) 2007, C70 (06-) 2007, C70 (06-) 2008, S40 (04-) 2004, S40 (04-) 2004, S40 (04-) 2005, S40 (04-) 2005, S40 (04-) 2006, S40 (04-) 2006, S40 (04-) 2007, S40 (04-) 2007, S40 (04-) 2008, S40 (04-) 2008, S60 2001, S60 2001, S60 2002, S60 2002, S60 2003, S60 2003, S60 2004, S60 2004, S60 2005, S60 2005, S60 2006, S60 2006, S60 2007, S60 2007, S60 2008, S80 (-06) 1999, S80 (-06) 1999, S80 (-06) 2000, S80 (-06) 2000, S80 (-06) 2001, S80 (-06) 2001, S80 (-06) 2002, S80 (-06) 2002, S80 (-06) 2003, S80 (-06) 2003, S80 (-06) 2004, S80 (-06) 2004, S80 (-06) 2005, S80 (-06) 2005, S80 (-06) 2006, S80 (-06) 2006, S80 (07-) 2007, S80 (07-) 2007, S80 (07-) 2008, S80 (07-) 2008, V50 2004, V50 2004, V50 2005, V50 2005, V50 2006, V50 2006, V50 2007, V50 2007, V50 2008, V50 2008, V70 (00-08) 2000, V70 (00-08) 2000, V70 (00-08) 2001, V70 (00-08) 2001, V70 (00-08) 2002, V70 (00-08) 2002, V70 (00-08) 2003, V70 (00-08) 2003, V70 (00-08) 2004, V70 (00-08) 2004, V70 (00-08) 2005, V70 (00-08) 2005, V70 (00-08) 2006, V70 (00-08) 2006, V70 (00-08) 2007, V70 (00-08) 2007, V70 (00-08) 2008, V70 (08-) 2008, V70 XC (01-) / XC70 (-07) 2001, V70 XC (01-) / XC70 (-07) 2001, V70 XC (01-) / XC70 (-07) 2002, V70 XC (01-) / XC70 (-07) 2002, V70 XC (01-) / XC70 (-07) 2003, V70 XC (01-) / XC70 (-07) 2003, V70 XC (01-) / XC70 (-07) 2004, V70 XC (01-) / XC70 (-07) 2004, V70 XC (01-) / XC70 (-07) 2005, V70 XC (01-) / XC70 (-07) 2005, V70 XC (01-) / XC70 (-07) 2006, V70 XC (01-) / XC70 (-07) 2006, V70 XC (01-) / XC70 (-07) 2007, V70 XC (01-) / XC70 (-07) 2007, XC70 (08-) 2008, XC90 2003, XC90 2003, XC90 2004, XC90 2004, XC90 2005, XC90 2005, XC90 2006, XC90 2006, XC90 2007, XC90 2007, XC90 2008, XC90 2008

Replaces  
issue:  
2006 08



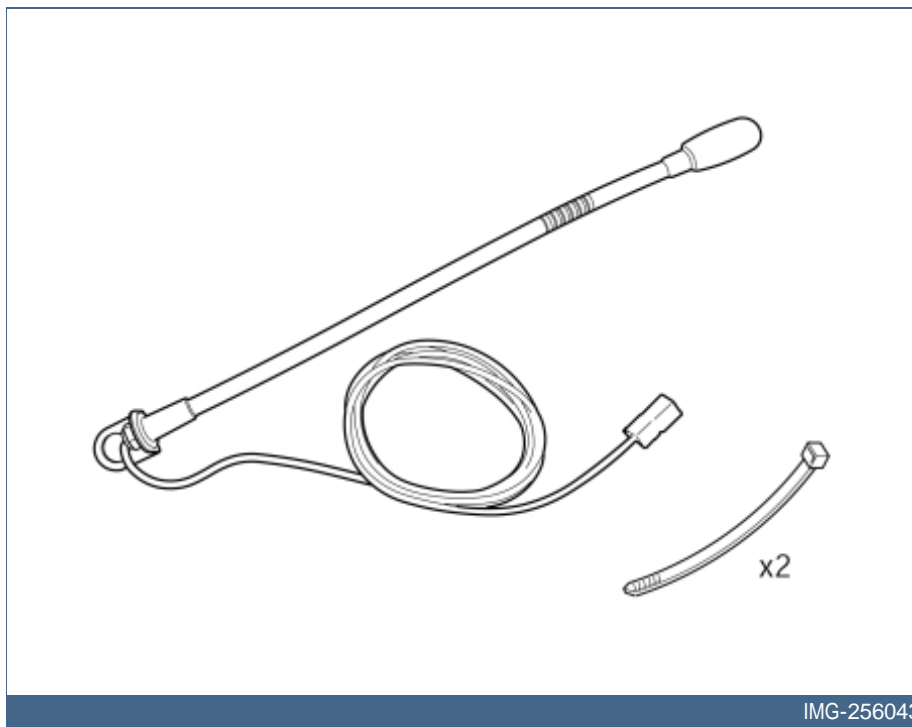
## Required tools



A0000162



IMG-239667



IMG-256043

Any comments on this publication? Please contact your nearest retailer. Thank You!

Publ.no:	Issue:	Kit no:
Comments:.....		
.....		
.....		
.....		

From:	
Address:	
Telephone:	
Telefax:	

IMG-213320





## INTRODUCTION

- **NOTE! Read through the entire text before carrying out any work.**
- The front page gives the date of this edition and the edition it replaces
- The second page shows the tools needed for the installation and the contents of the installation kit
- The illustrations display the procedure in order of operation. The order of operation is repeated in the text section
- Cut out the text page in order to follow the illustrations and text at the same time.

## Bluetooth, swan neck microphone

### Note!

These installation instructions show installation on a left-hand drive vehicle. When installing a right-hand drive vehicle, the procedures are reversed and/or carried out on the opposite side. Where the operations differ, right-hand versions are also shown.

Steps 1 - 16 apply to XC90

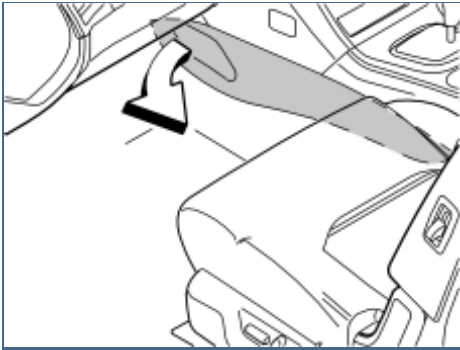
Steps 17-34 apply to S60, V70 and S80 (-06)

Steps 35-46 apply to C30, S40, V50 and C70

Steps 47 – 60 apply to the S80 (07-)



1

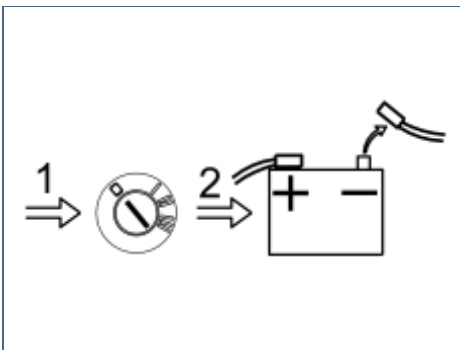


R8504165

## Applies to the XC90

- Remove the centre console's left side panel by first pulling it away at the front edge and continuing backwards until all the clips have released.

2



A8800136

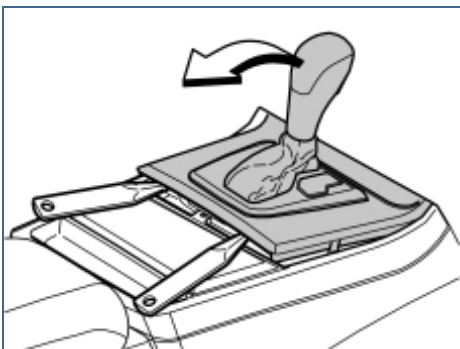
## Applies to the XC90

- Slide the driver's seat fully forwards and then fully upwards from the rear edge.
- Turn the ignition switch to position 0.
- Disconnect the battery negative lead.

### Note!

Wait at least three minutes before unplugging the connectors or removing other electrical equipment.

3

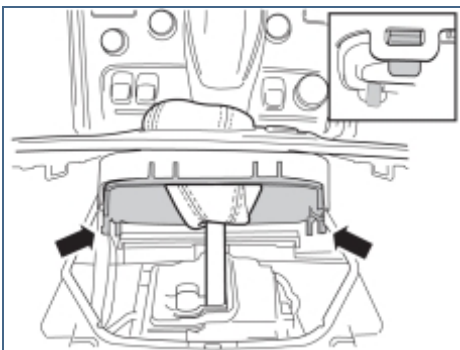


R8504113

## Applies to the XC90

- Turn the ignition key to position II.
- Move the gear selector lever to its rearmost position.
- Use a weatherstrip and pry off the gear selector panel at the rear edge.

4



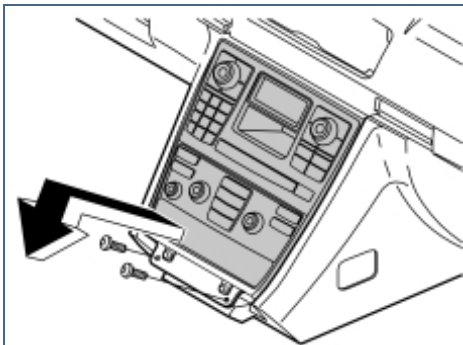
IMG-239204

## Applies to the XC90

- Press in the catches and remove the panel.



5



R8504051

### Applies to the XC90

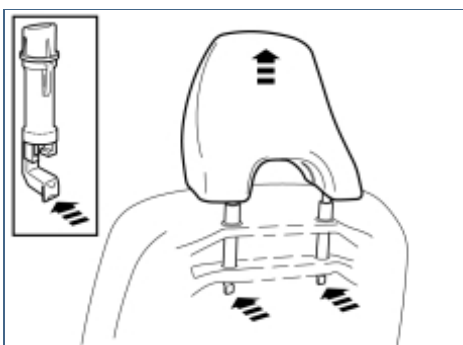
- Remove the two screws.
- Remove the radio/AC unit from the center console. Pull from the lower edge and then downwards until it releases from the mounting at the upper edge.

**Note!**

Do not damage the removed components or the surrounding panels.

- Unplug the connectors.

6

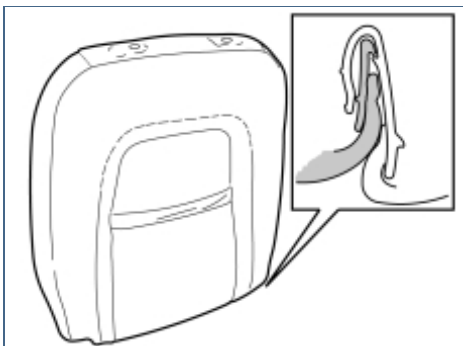


IMG-256044

### Applies to the XC90

- Find the headrest's two locks on the back of the driver's seat. Press in the catches and pull the headrest upwards at the same time.

7

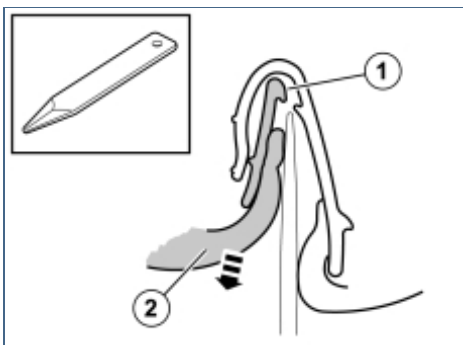


IMG-256045

### Applies to the XC90

- Find the grip strip (consists of two different strip profiles that are hooked into each other) in the bottom edge on the upholstery.

8



IMG-256046

### Applies to the XC90

- Get a weatherstrip tool and pry apart the strips so that the catch (1) releases.
- Pull out the rear part of the upholstery with strip (2).



9

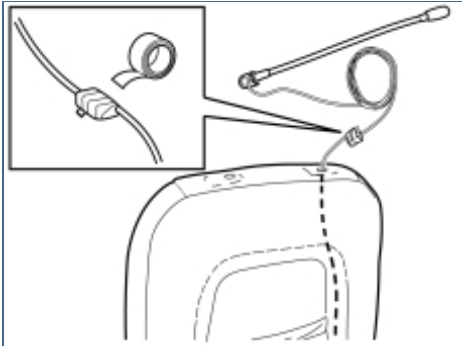


IMG-256047

**Applies to the XC90**

- Insert a curtain wire or similar from above and down on the back of the seat back, between the upholstery and padding.

10

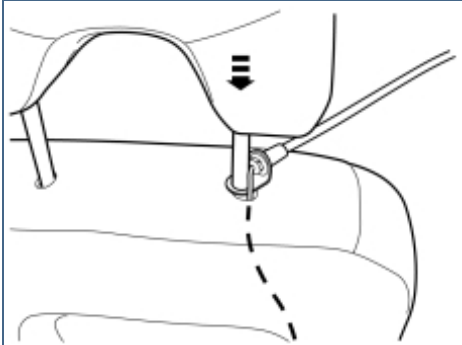


IMG-256048

**Applies to the XC90**

- Tape the connector from the microphone cable to the end of the wire.
- Pull through the cable.
- Disconnect the cable from the wire.

11

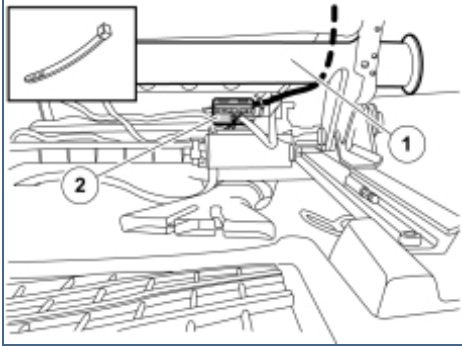


IMG-256049

**Applies to the XC90**

- Place the microphone's bracket over the hole on the backrest.
- Point the microphone arm 45° forward. Press down the headrest so that it locks into place.
- Check that the headrest has locked into place by pulling it upwards.

12



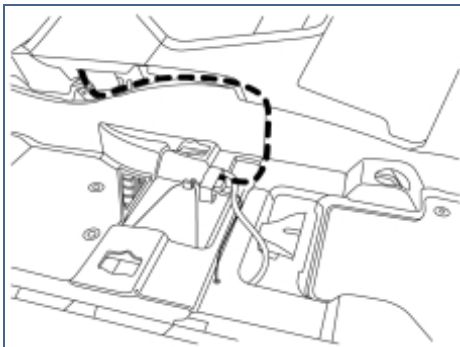
IMG-256050

**Applies to the XC90**

- Route the cable in front of the tube (1).
- Secure the cable with a cable tie to the large connector (2).
- Reinstall the upholstery for the backrest.



13



IMG-256051

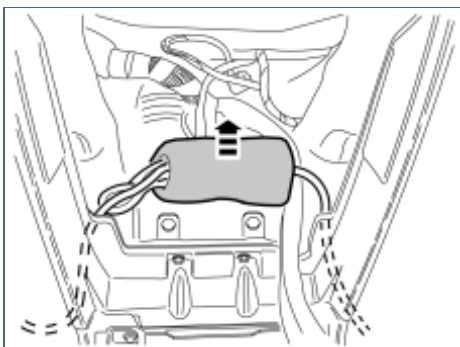
### Applies to the XC90

- Lay the cable in the carpet joint. Route the cable forward and up in the centre console.

#### Note!

It is important that the cable has the right length so that the seat can move back and forth freely.

14

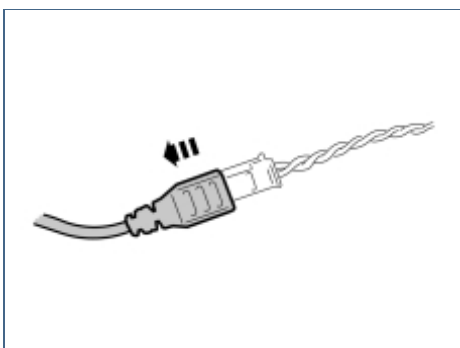


IMG-256052

### Applies to the XC90

- Find the foam tape with connections for the Bluetooth system in the bottom of the centre console's opening. Open the foam tape.

15



IMG-256053

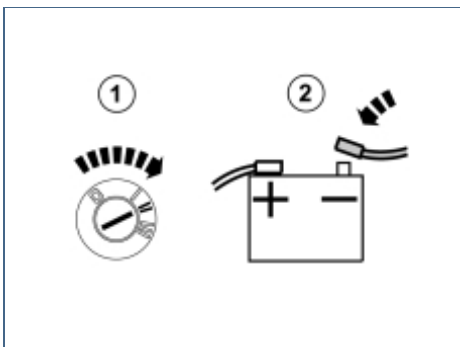
### Applies to the XC90

- Loosen existing connection to the microphone.
- Connect the new microphone cable and reinstall the foam tape.

#### Note!

Also secure the extra length of the microphone cable with the foam tape.

16



IMG-242267

### Applies to the XC90

- Connect the connectors to the radio/AC unit.
- Reinstall the radio/AC unit by first hooking it on at the upper edge. Then press it upwards and angle in the lower part. At the same time, check that the cable to the control panel for Bluetooth ends up in the right position.
- If the radio/A/C unit does not fit at the rear edge, check that no cables have been trapped.
- Reinstall the screws.
- Reinstall the side panel.
- Turn the ignition key to position II.





- Reconnect the battery negative lead

17



IMG-245980

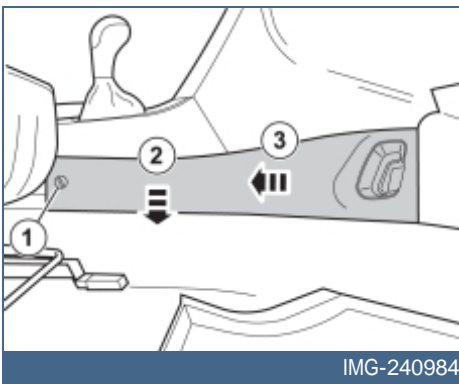
**Applies to S60, V70 and S80 (-06)**

- Turn the ignition switch to position 0.

**Note!**

Wait at least three minutes before unplugging the connectors or removing other electrical equipment.

18



IMG-240984

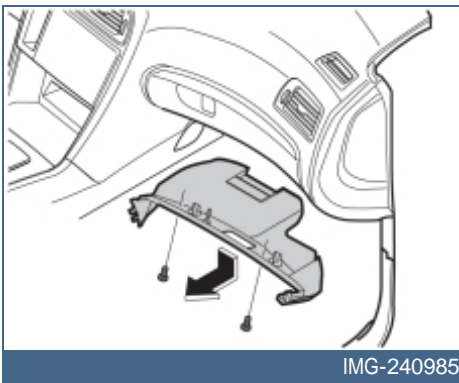
**Applies to S60, V70 and S80 (-06)**

- Turn the clip (1) a quarter turn anti-clockwise.
- Pull the panel out by the rear edge (2).
- Then pull the panel backwards until the hooks release (3).

Remove the panel.

- Repeat the operation on the other side.

19

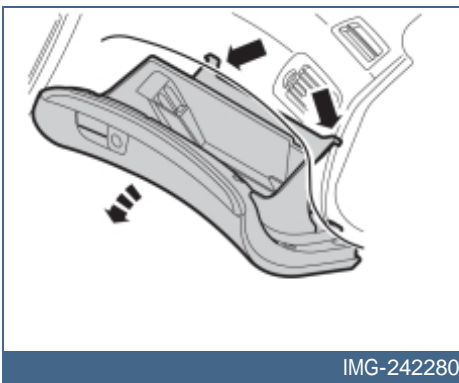


IMG-240985

**Applies to S60, V70 and S80 (-06)**

- Remove the screws and sound proofing bracket.

20



IMG-242280

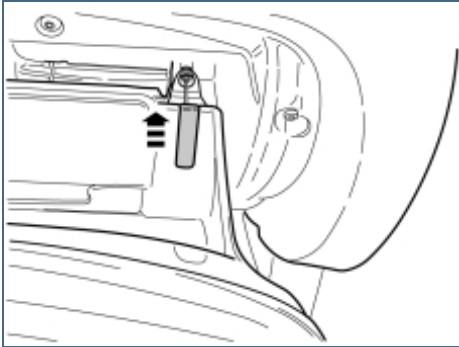
**Applies to S60, V70 and S80 (-06)**

**Applies to the S60 and V70**

- Open the glovebox.
- Lift the two catches past the lugs.



21



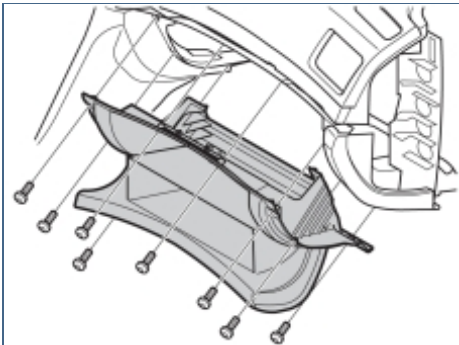
IMG-242281

**Applies to S60, V70 and S80 (-06)**

**Applies to the S60 and V70**

- Unhook the damping.

22



IMG-242282

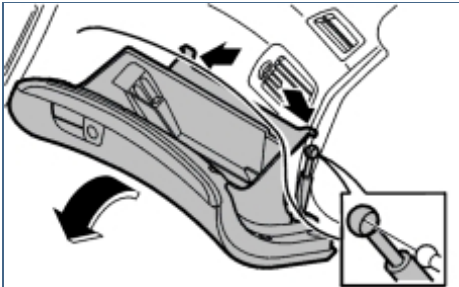
**Applies to S60, V70 and S80 (-06)**

**Applies to the S60 and V70**

**Remove:**

- the eight screws
- the connector for the glove box lighting
- the connector for the legroom lighting
- the glove box.

23



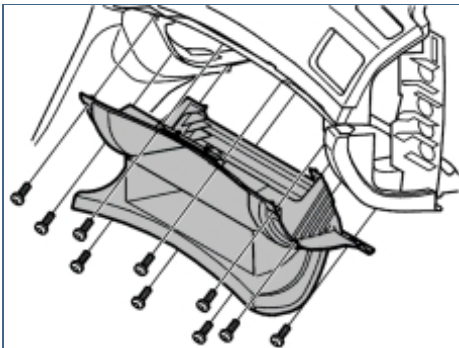
M8503917

**Applies to S60, V70 and S80 (-06)**

**Applies to the S80 (-06)**

- Open the glovebox.
- Lift the two catches past the lugs.
- Detach the gas struts by pulling straight out.

24



D8502454

**Applies to S60, V70 and S80 (-06)**

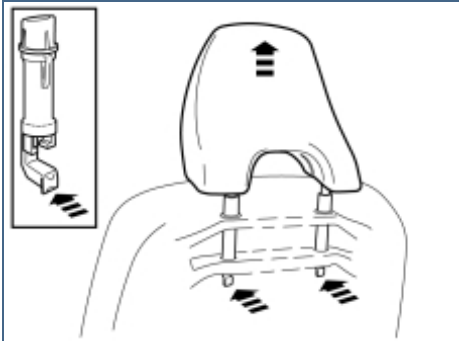
**Applies to the S80 (-06)**

**Remove:**

- the ten screws
- the connector for the glove box lighting
- the glove box.



25

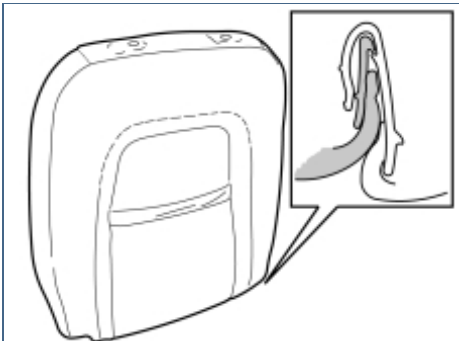


IMG-256044

**Applies to S60, V70 and S80 (-06)**

- Find the headrest's two locks on the back of the driver's seat. Press in the catches and pull the headrest upwards at the same time.

26

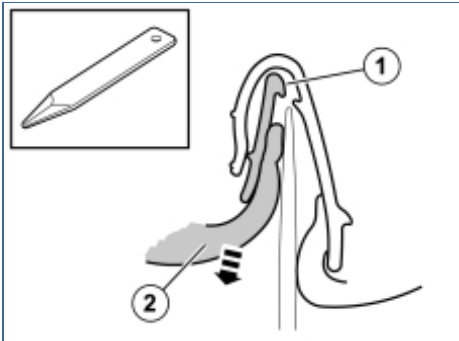


IMG-256045

**Applies to S60, V70 and S80 (-06)**

- Find the grip strip (consists of two different strip profiles that are hooked into each other) in the bottom edge on the upholstery.

27

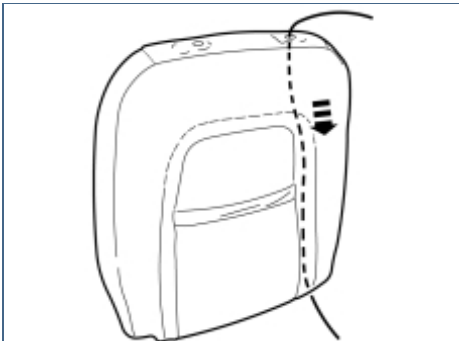


IMG-256046

**Applies to S60, V70 and S80 (-06)**

- Get a weatherstrip tool and pry apart the strips so that the catch (1) releases.
- Pull out the rear part of the upholstery with strip (2).

28



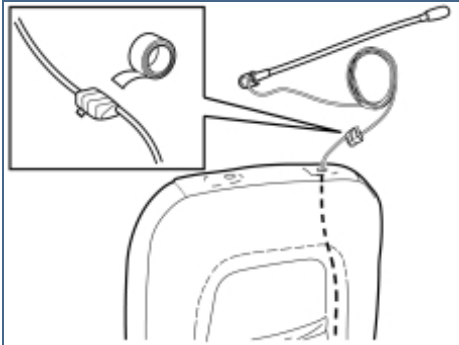
IMG-256047

**Applies to S60, V70 and S80 (-06)**

- Insert a curtain wire or similar from above and down on the back of the seat back, between the upholstery and padding.



29

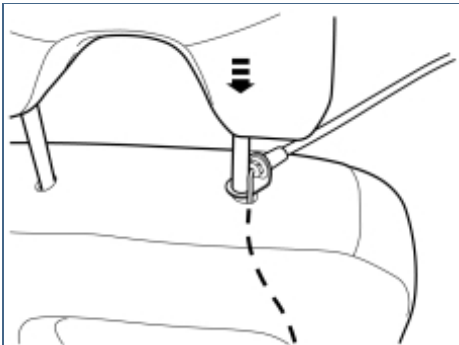


IMG-256048

## Applies to S60, V70 and S80 (-06)

- Tape the connector from the microphone cable to the end of the wire.
- Pull through the cable.
- Disconnect the cable from the wire.

30

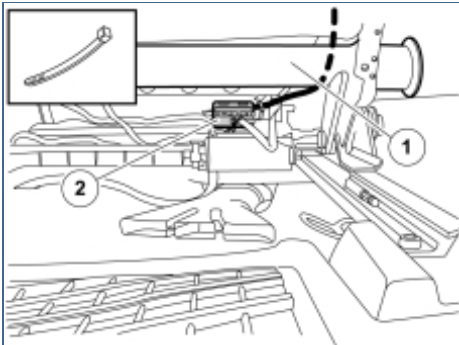


IMG-256049

## Applies to S60, V70 and S80 (-06)

- Place the microphone's bracket over the hole on the backrest.
- Point the microphone arm 45° forward. Press down the headrest so that it locks into place.
- Check that the headrest has locked into place by pulling it upwards.

31

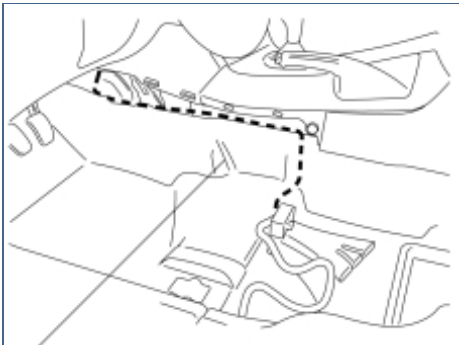


IMG-256050

## Applies to S60, V70 and S80 (-06)

- Route the cable in front of the tube (1).
- Secure the cable with a cable tie to the large connector (2).
- Reinstall the upholstery for the backrest.

32



IMG-256054

## Applies to S60, V70 and S80 (-06)

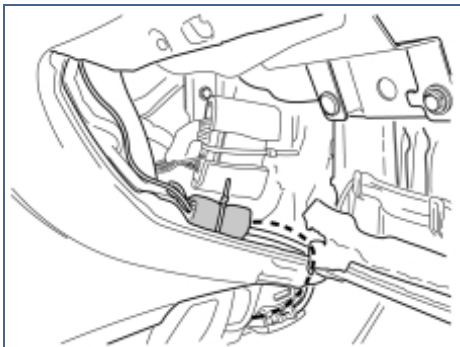
- Lay the cable in the carpet joint. Route the cable forward and across in the centre console.

### Note!

It is important that the cable has the right length so that the seat can move back and forth freely.



33

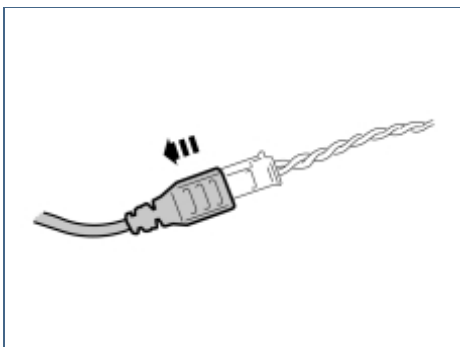


IMG-256055

## Applies to S60, V70 and S80 (-06)

- Route the cable on the left side of the opening for the glove box.
- Find the foam tape with connections for the Bluetooth system. Cut the cable tie and open the foam tape.

34



IMG-256053

## Applies to S60, V70 and S80 (-06)

- Loosen existing connection to the microphone.
- Connect the new microphone cable. Reinstall the foam tape and secure with a new cable tie.

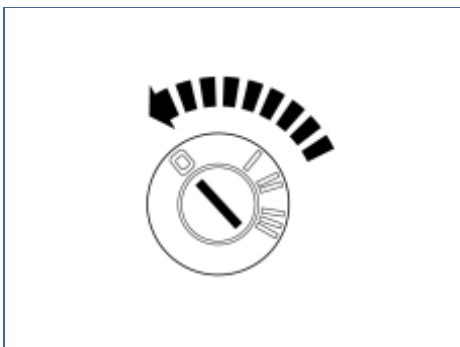
### Note!

Also secure the extra length of the microphone cable with the foam tape.

### Reinstall:

- the gear lever panel
- the glove box
- the sound barrier
- the side panels on the centre console.

35



IMG-245980

## Applies to C30, S40, V50 and C70

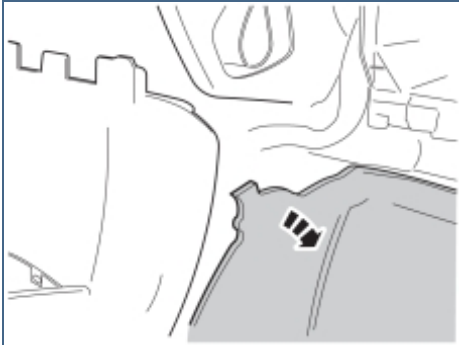
- Turn the ignition switch to position 0.

### Note!

Wait at least three minutes before unplugging the connectors or removing other electrical equipment.



36

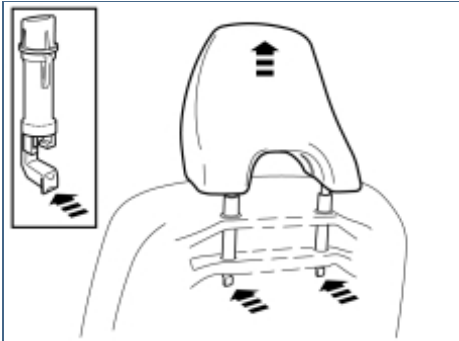


IMG-239780

**Applies to C30, S40, V50 and C70**

- Fold aside the floor mat on both sides of the tunnel console.

37

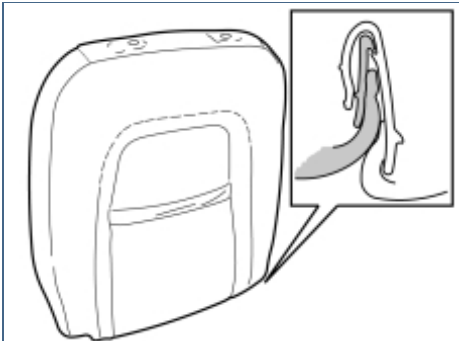


IMG-256044

**Applies to C30, S40, V50 and C70**

- Find the headrest's two locks on the back of the driver's seat. Press in the catches and pull the headrest upwards at the same time.

38

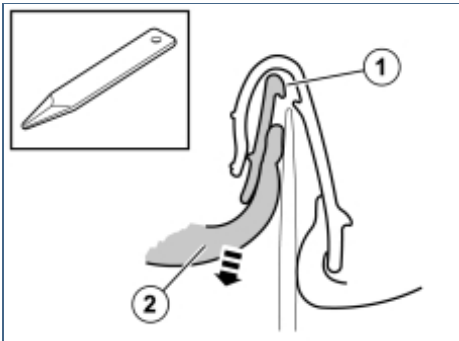


IMG-256045

**Applies to C30, S40, V50 and C70**

- Find the grip strip (consists of two different strip profiles that are hooked into each other) in the bottom edge on the upholstery.

39



IMG-256046

**Applies to C30, S40, V50 and C70**

- Get a weatherstrip tool and pry apart the strips so that the catch (1) releases.
- Pull out the rear part of the upholstery with strip (2).



40

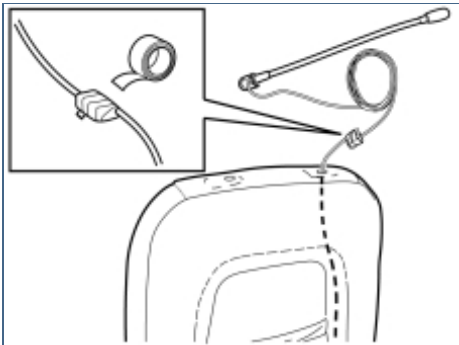


IMG-256047

**Applies to C30, S40, V50 and C70**

- Insert a curtain wire or similar from above and down on the back of the seat back, between the upholstery and padding.

41



IMG-256048

**Applies to C30, S40, V50 and C70**

- Tape the connector from the microphone cable to the end of the wire.
- Pull through the cable.
- Disconnect the cable from the wire.

42

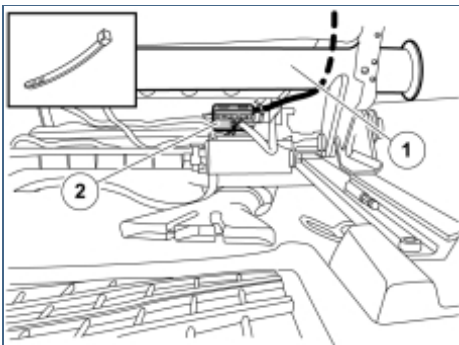


IMG-256049

**Applies to C30, S40, V50 and C70**

- Place the microphone's bracket over the hole on the backrest.
- Point the microphone arm 45° forward. Press down the headrest so that it locks into place.
- Check that the headrest has locked into place by pulling it upwards.

43



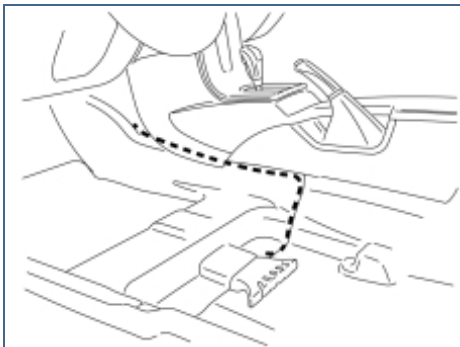
IMG-256050

**Applies to C30, S40, V50 and C70**

- Route the cable in front of the tube (1).
- Secure the cable with a cable tie to the large connector (2).
- Reinstall the upholstery for the backrest.



44



IMG-256056

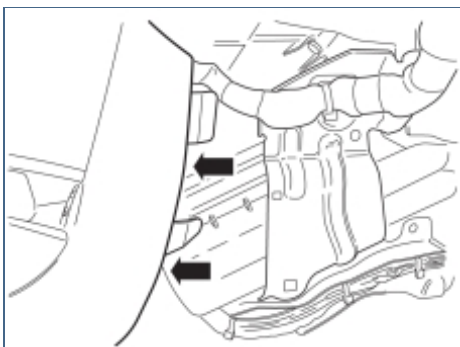
## Applies to C30, S40, V50 and C70

- Lay the cable in the carpet joint. Route the cable forward and across in the tunnel console.

### Note!

It is important that the cable has the right length so that the seat can move back and forth freely.

45

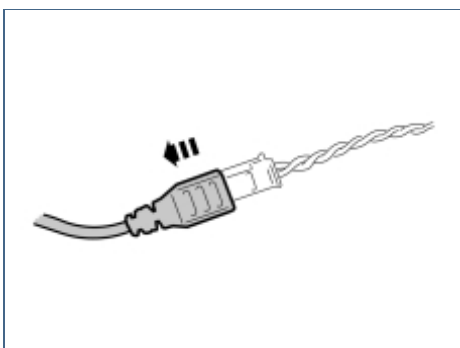


IMG-239781

## Applies to C30, S40, V50 and C70

- Pull out the cable from the tunnel console. Find the foam tape with connections for the Bluetooth system, located behind the tunnel console. Open the foam tape.

46



IMG-256053

## Applies to C30, S40, V50 and C70

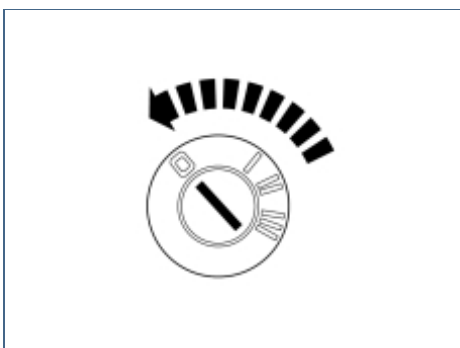
- Loosen existing connection to the microphone.
- Connect the new microphone cable. Reinstall the foam tape.

### Note!

Also secure the extra length of the microphone cable with the foam tape.

- Fold back the floor mat on both sides of the tunnel console.

47



IMG-245980

## Applies to the S80 (07-)

- Turn the ignition switch to position 0.

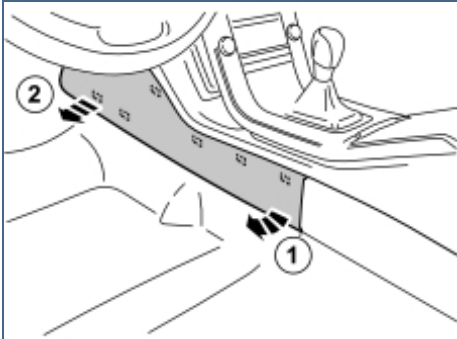
### Note!

Wait at least three minutes before unplugging the connectors or removing other electrical equipment.





48

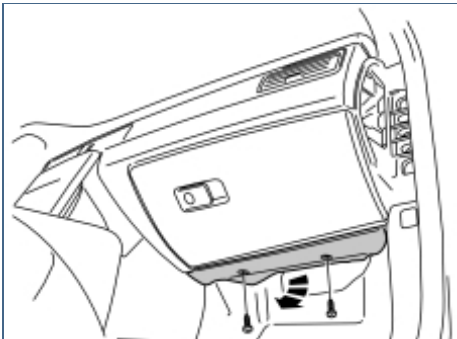


IMG-222801

**Applies to the S80 (07-)**

- Remove the centre console side panel by carefully pulling it off starting at the rear edge. It is attached by six clips on the inside. Also carried out on the other side.

49

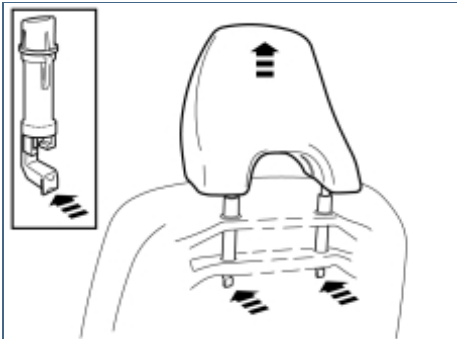


IMG-222268

**Applies to the S80 (07-)**

- Remove the screws and the soundproofing panel under the glove compartment. Disconnect the connector for the lighting

50

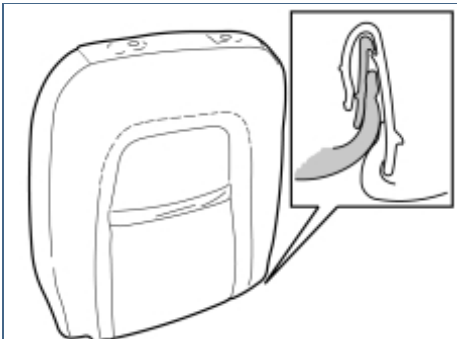


IMG-256044

**Applies to the S80 (07-)**

- Find the headrest's two locks on the back of the driver's seat. Press in the catches and pull the headrest upwards at the same time.

51



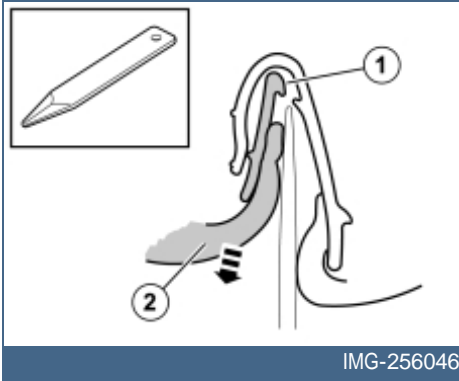
IMG-256045

**Applies to the S80 (07-)**

- Find the grip strip (consists of two different strip profiles that are hooked into each other) in the bottom edge on the upholstery.



52



**Applies to the S80 (07-)**

- Get a weatherstrip tool and pry apart the strips so that the catch (1) releases.
- Pull out the rear part of the upholstery with strip (2).

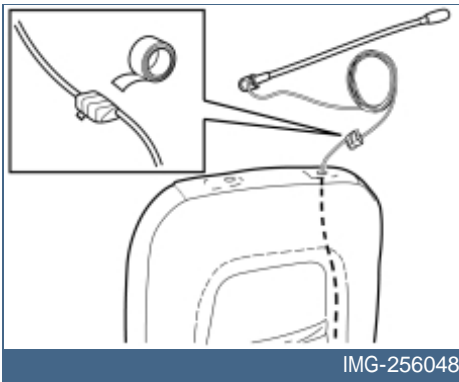
53



**Applies to the S80 (07-)**

- Insert a curtain wire or similar from above and down on the back of the seat back, between the upholstery and padding.

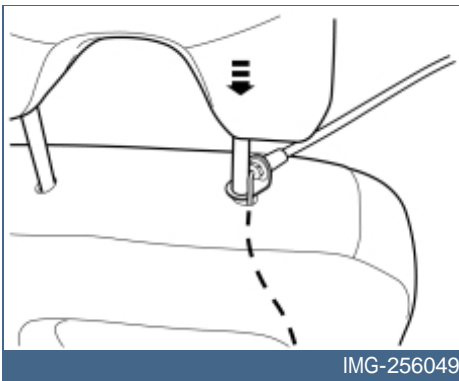
54



**Applies to the S80 (07-)**

- Tape the connector from the microphone cable to the end of the wire.
- Pull through the cable.
- Disconnect the cable from the wire.

55

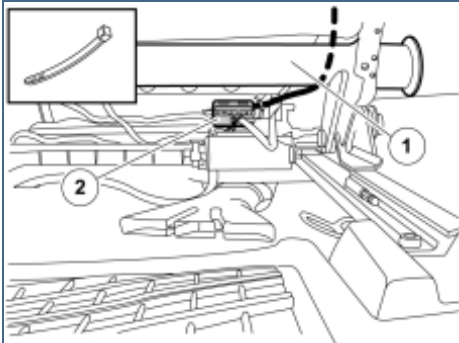


**Applies to the S80 (07-)**

- Place the microphone's bracket over the hole on the backrest.
- Point the microphone arm 45° forward. Press down the headrest so that it locks into place.
- Check that the headrest has locked into place by pulling it upwards.



56

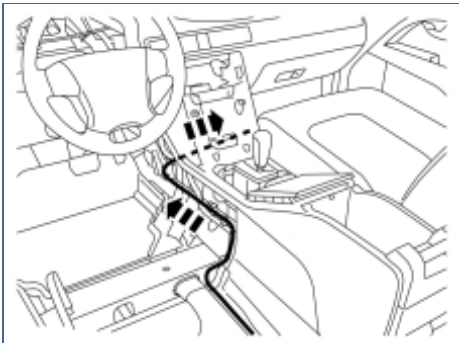


IMG-256050

## Applies to the S80 (07-)

- Route the cable in front of the tube (1).
- Secure the cable with a cable tie to the large connector (2).
- Reinstall the upholstery for the backrest.

57



IMG-260043

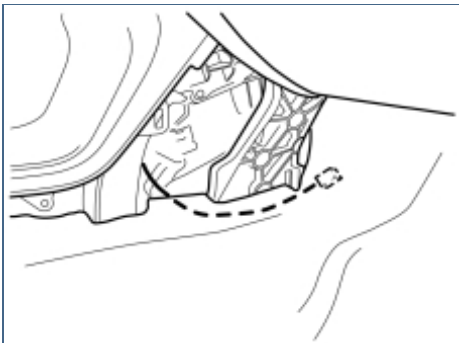
## Applies to the S80 (07-)

- Place the cable in the carpet joint. Pull the cable forward and all the way through the centre console. Place the cable under the floor carpet.

### Note!

It is important that the cable has the right length so that the seat can move back and forth freely.

58

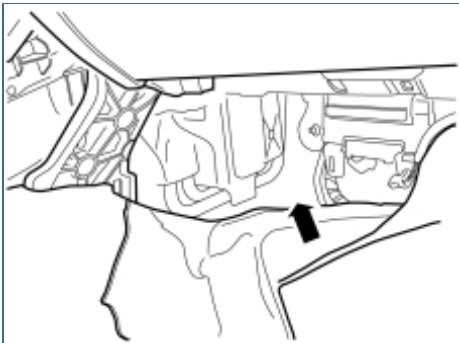


IMG-260044

## Applies to the S80 (07-)

- Route the cable from the centre console and forwards. Place the cable under the floor carpet.

59



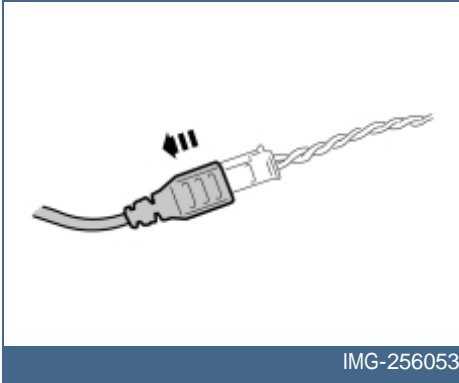
IMG-260045

## Applies to the S80 (07-)

- Fold the carpet out of the way. Locate the foam tape with connections for the Bluetooth system.



60



## Applies to the S80 (07-)

- Loosen existing connection to the microphone.
- Connect the new microphone cable. Reinstall the foam tape.

### Note!

Also secure the extra length of the microphone cable with the foam tape.

- Replace the cable harnesses and fold back the floor carpet.
- Reinstall the side panels and soundproofing.