



## XC90

| Section | Group | Weight(Kg/Pounds) | Year | Month |
|---------|-------|-------------------|------|-------|
| 3       | 393   | 1/2.2             | 2008 | 03    |

XC90 2003, XC90 2003, XC90 2004, XC90 2004, XC90 2005, XC90 2005, XC90 2006, XC90 2006, XC90 2007, XC90 2007, XC90 2008, XC90 2008, XC90 2009

Replaces issue:  
2006 02









## INTRODUCTION

- **NOTE! Read through the whole installation instruction before starting the work.**
- The front page gives the date of this edition and the edition it replaces
- The second page shows the tools needed for the installation and the contents of the installation kit
- The illustrations display the procedure in order of operation. The order of operation is repeated in the text section
- Cut out the text page in order to follow the illustrations and text at the same time.

## Bluetooth

### Note!

These installation instructions apply to left-hand drive vehicles. When installing in a right-hand drive vehicle, the procedure is carried out on the opposite side and/or mirrored. Where the operations differ, right-hand versions are also displayed with text and images.

There may be components in the accessories kit that are not used for this installation.

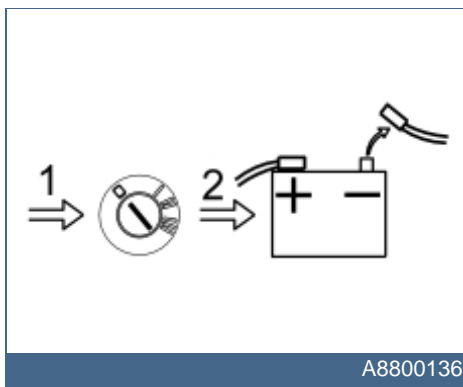
### Note!

When installing Velcro fasteners/tape the underlying surface must be kept at a temperature of at least +20° C (68°F).

Place the manual for this accessory in a suitable place in the vehicle.



1



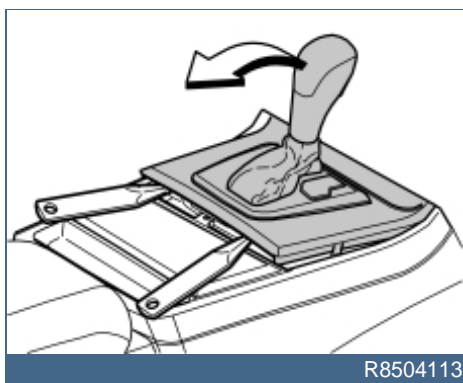
**Applies to both right and left-hand drive vehicles**

- Slide the right-hand seat all the way back and then completely upright at the front edge.
- Turn the ignition switch to position 0.
- Disconnect the battery negative lead.

**Note!**

Wait at least three minutes before unplugging the connectors or removing other electrical equipment.

2



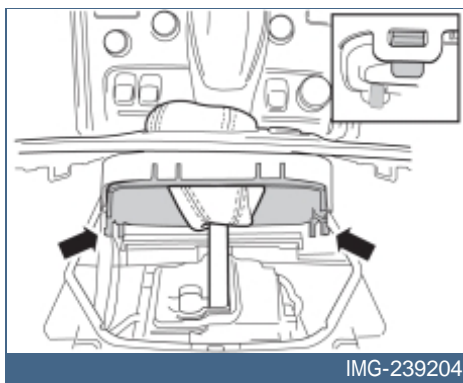
**Applies to cars with automatic gearbox**

- Turn the ignition key to position II.

**Applies to all models**

- Move the gear selector lever to its rearmost position.
- Use a weatherstrip and pry off the gear selector panel at the rear edge.

3



- Press in the catches and remove the panel.

4



- Remove the two screws.
- Remove the bracket with the A/C panel and radio from the center console. Pull from the lower edge and then downwards until it releases from the mounting at the upper edge.

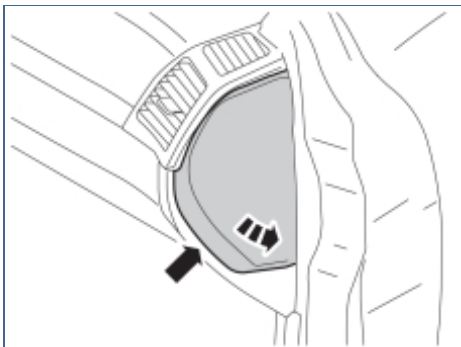
**Note!**

Do not damage the removed components or the surrounding panels.

- Remove the connectors.



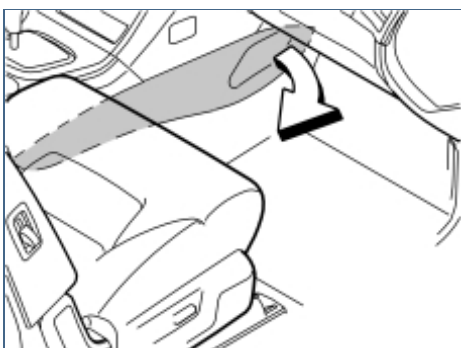
5



IMG-241300

- Remove the end face panel from the dashboard.

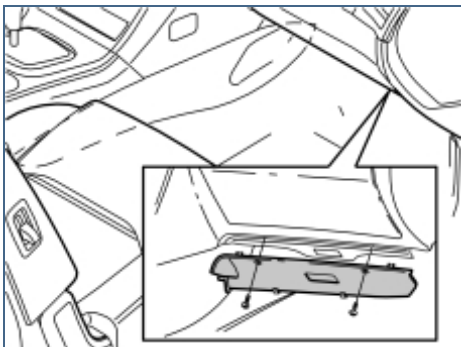
6



R8504225

- Remove the center console's right-hand side panel by pulling it away starting at the front edge and then backwards until all the clips have released.

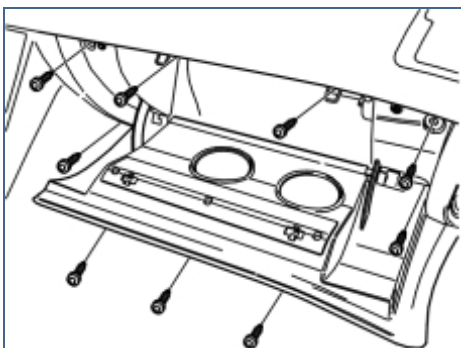
7



R8504419

- Remove the screws and soundproofing panel.

8

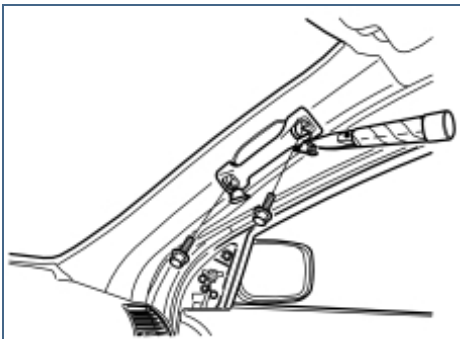


R8802764

- Remove the 9 x screws, the glove box and disconnect the connector.



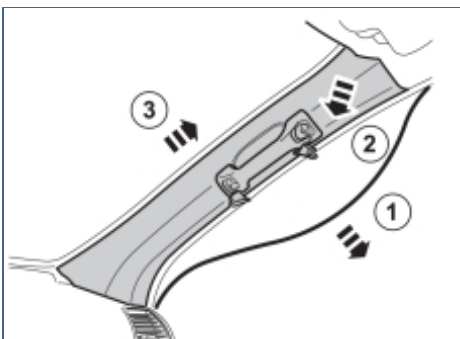
9



R8504175

- Remove the covers and screws for the grab handle on the A-pillar.

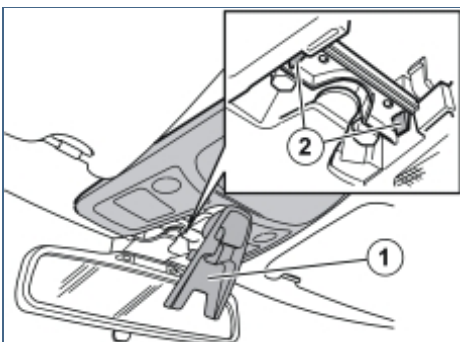
10



IMG-241301

- Pull of the weatherstrip (1) for the door at the A-pillar.
- Pull off the A-pillar panel at the upper edge and then straight upwards to remove it.

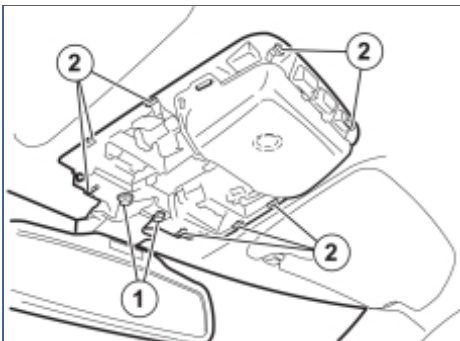
11



R3501441

- Fold down the cover (1) by carefully pulling the front edge of the cover down.
- Press in the catches (2). At the same time pull the front edge of the panel downwards, and then unhook the rear edge.

12

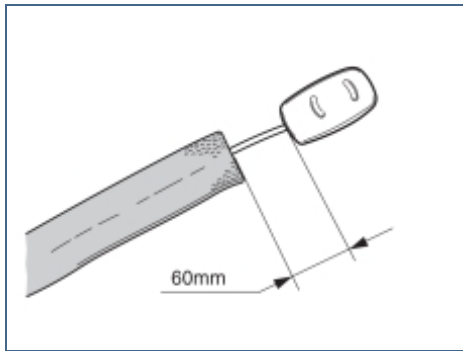


IMG-240986

- Remove the screws (1).
- Press in the catches (2)
- Carefully pull the interior lighting downwards and allow to hang from their cables.



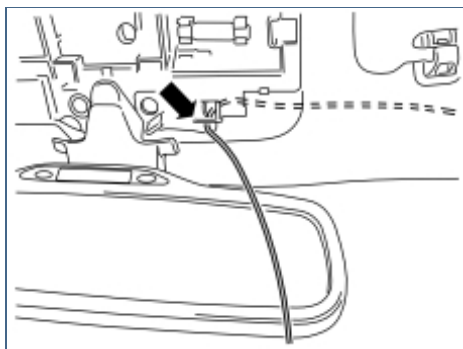
13



IMG-240987

- Tape a 700 mm length piece of foam tape on the microphone cable starting 60 mm from the microphone.

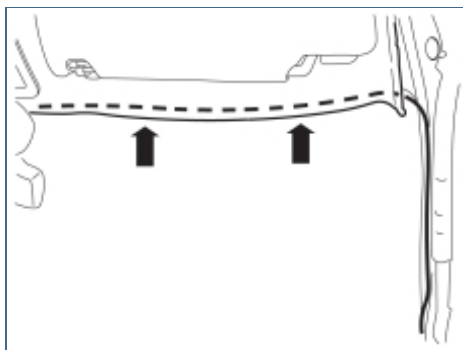
14



IMG-240988

- Route the cable to the microphone by the black connector.

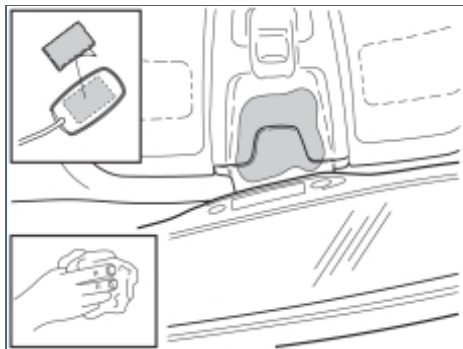
15



IMG-240989

- Carefully pull down the headlining and route the cable above it, to the A-pillar.

16



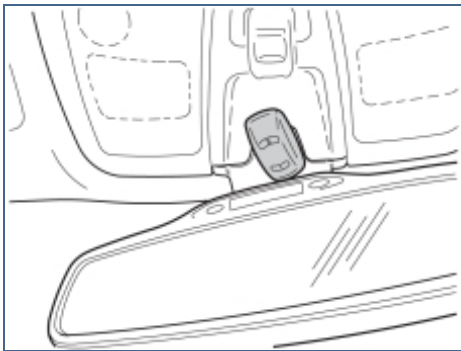
IMG-240990

- Reinstall the ceiling panel and at the same time adjust the length of the cable.
- Clean the microphone and ceiling panel. Use isopropanol for example.
- Remove the protective film from one side of the Velcro strip and press onto the microphone.





17



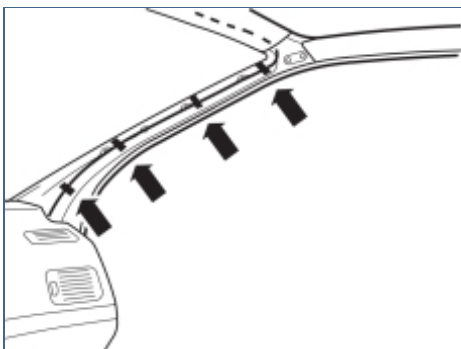
IMG-240991

- Remove the remaining protective film from the Velcro strip. Press the microphone securely into place.

**Note!**

Direct the microphone towards the driver. Make sure that it does not obstruct adjustment of the rear view mirror and insert the excess cable under the panel.

18



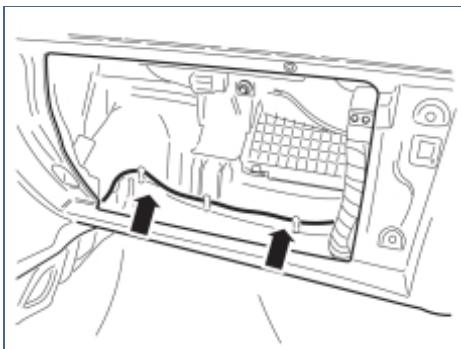
IMG-240992

- Pull the cable down along the A-pillar to the dashboard.
- Cut off 2 x 100x50mm pieces of foam tape in the middle.
- Secure the cable to the A-pillar using foam tape.

**Caution!**

The inflatable curtain (IC) is located inside the A-pillar panel, it is important that the cable is not positioned on it.

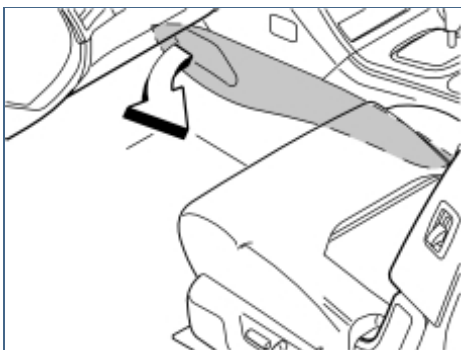
19



IMG-241302

- Cut off one 100x50mm strip of foam tape in the middle.
- Secure the cable on the heater unit using the pieces of tape.

20

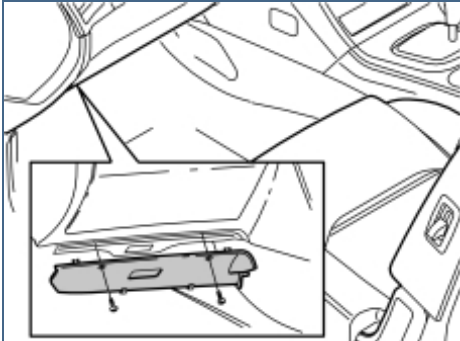


R8504165

- Remove the center console's left-hand side panel by pulling it away starting at the front edge and then backwards until all the clips have released.



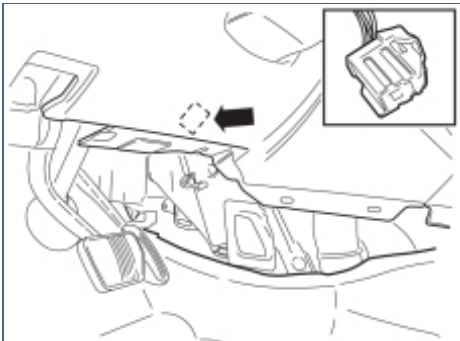
21



R8504495

- Remove the sound proofing panel by first removing the two screws and then prying off the sound proofing panel at the top edge.

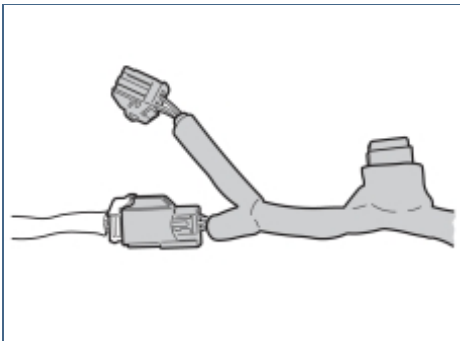
22



IMG-241303

- Locate the 4 pin, gray, pre-routed connector for the power supply. It comes from the thick cable harness under the dashboard on the right-hand side of the steering wheel

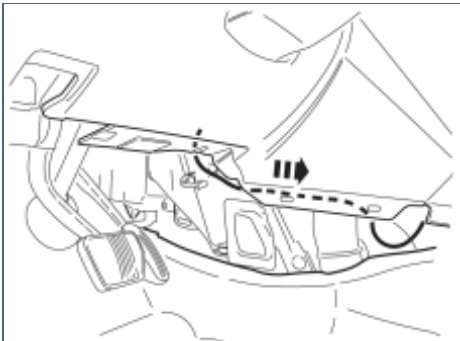
23



IMG-241304

- Take the cable harness with the two gray connectors. Connect this to the existing connector. The pre-routed connector is already connected on certain versions.
- Disconnect this and connect both the connectors from the new cable harness.
- Cut a 700 mm piece of foam tape into three pieces of the same length. Tape one piece around the connectors on the car's existing cable harness.

24

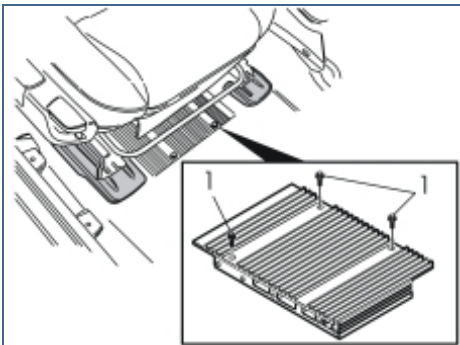


IMG-241305

- **Does not apply to right-hand drive vehicles.**
- Route the cable harness backwards and across through the center console.



25

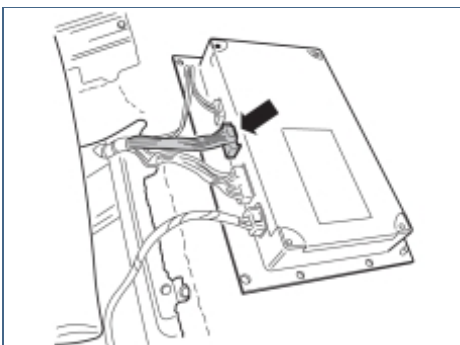


R3904521

**Applies to both right and left-hand drive vehicles**

- Slacken off the amplifier screws (1) under the right-hand front seat.

26



IMG-241306

- Lift out the amplifier. Use a weatherstrip to raise it from its recessed position.
- Place it upside down as illustrated.
- Disconnect the connector.

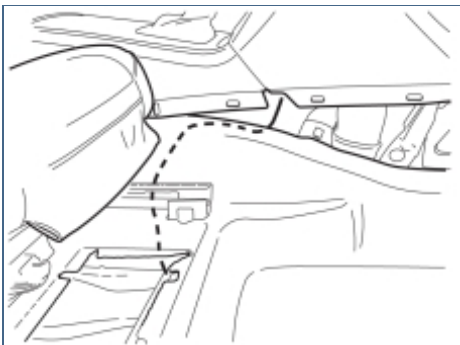
27



IMG-241307

- Remove the left-hand seat piece.

28



IMG-241308

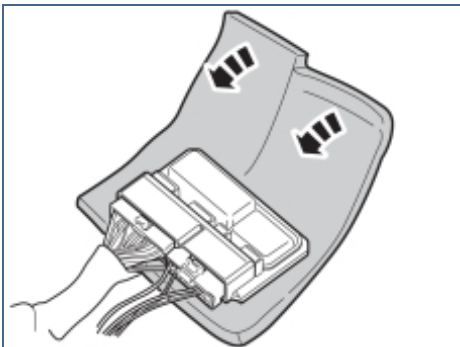
- Route the cable that was connected to the 4-pin connector from the center console to the amplifier under the carpet.

**Applies to right-hand drive cars**

- Route the cable that was connected to the 4-pin connector, on the right-hand side of the center console and then under the carpet to the amplifier.



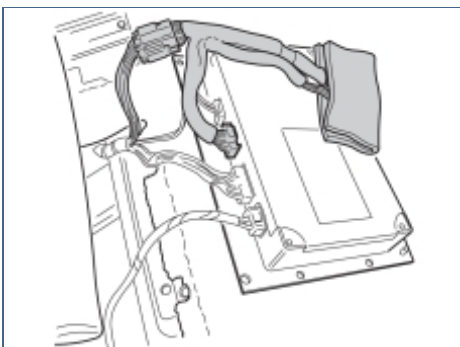
29



IMG-239782

- Connect the pre-routed cable and T cable to the mute relay.
- Tape two thick pieces of foam tape around the mute relay.

30



IMG-241309

- Connect the connector that was disconnected from the amplifier to the connector from the mute relay.
- Tape one cut piece of foam tape around the connectors.
- Connect the other connector from the mute-relay to the amplifier.

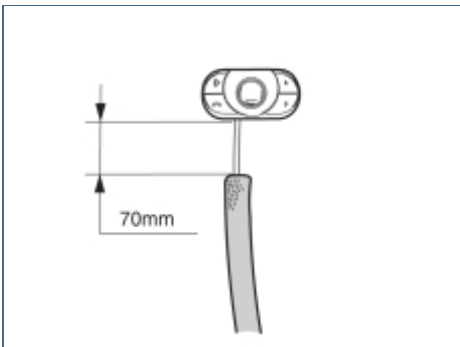
31



IMG-241310

- Place the mute-relay under the front left corner in the recess.
- Reinstall the amplifier and tighten it with the screws.

32



IMG-241311

- Tape a 700 mm length piece of foam tape on the cable starting 70 mm from the control panel.



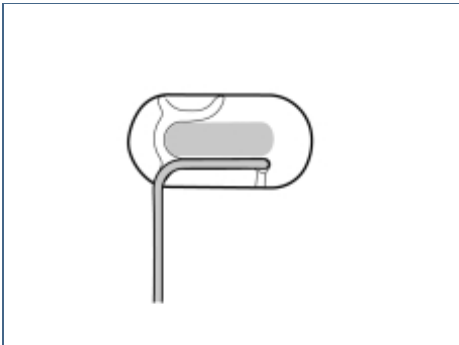
33



IMG-241312

- Clean the area around the dashboard where the control panel is to be positioned. Use isopropanol for example.

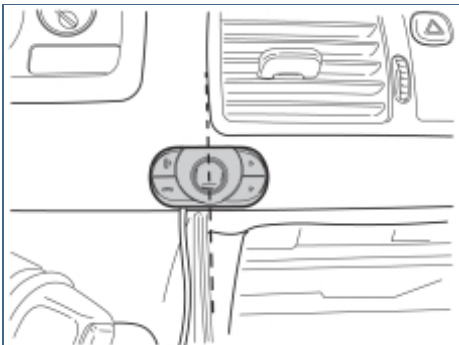
34



IMG-243061

- **Only applies to right-hand drive vehicles**
- Position the control panel cable in the groove as illustrated.

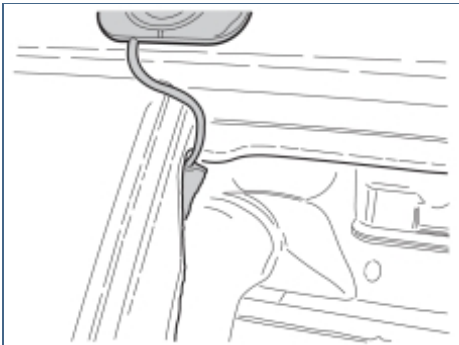
35



IMG-241313

- Remove the protective film from the tape on the reverse of the control panel.
- Align and secure the control panel on the dashboard.

36



IMG-241314

- Pull the cable down to the opening in the center console.



37



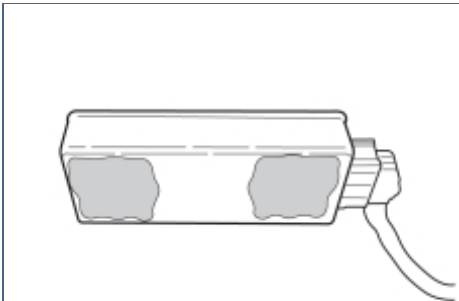
IMG-241315

- Clean the surrounding areas, as illustrated, underneath the detached A/C unit/radio bracket with, for example, isopropanol.

**Applies to right-hand drive cars**

- steps 37-41 must not be mirrored.

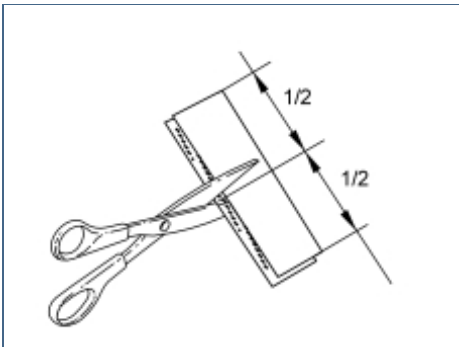
38



IMG-241316

- Clean the control module at the points illustrated, using isopropanol for example.

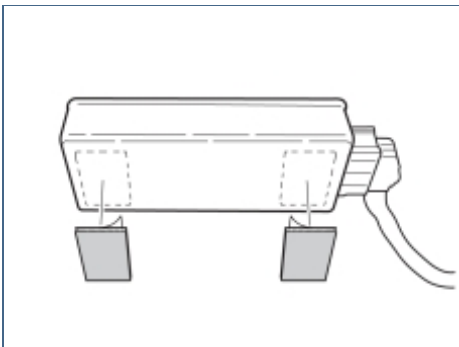
39



IMG-218982

- Take a Velcro strip and cut off two pieces of the same length
- Press the pieces together.
- Cut off two pieces of the same length again at the center.

40

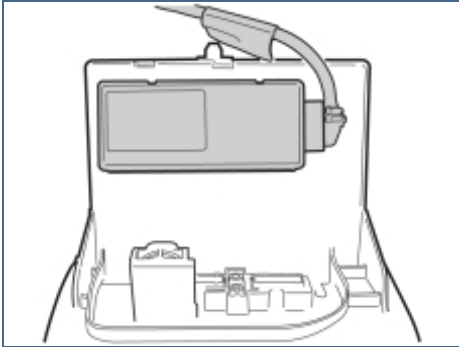


IMG-241317

- Remove the protective film from one side of the Velcro strips which were pressed together.
- Apply the Velcro strips on the control module and press.



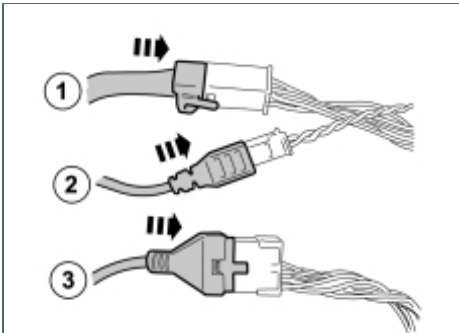
41



IMG-241318

- Remove the remaining protective film on the Velcro strips, align and install the control module as illustrated. Press onto the control module so that the tape adheres.

42

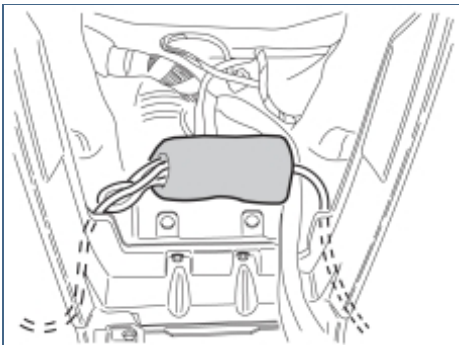


IMG-239778

- Connect the connectors, see:

1. Adapter cable
2. Microphone
3. Control panel

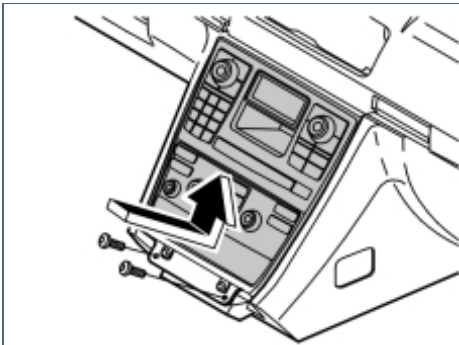
43



IMG-241319

- Tape one cut piece of foam tape around the connectors.
- Place the connectors and excess cables in the bottom of the center console. Check that they do not rub against the bracket edges.

44

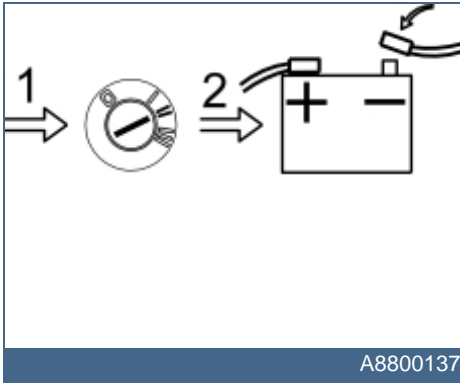


R8504268

- Reinstall the center console by first hooking the upper edge into place. Then press upwards and angle in the lower section.
- At the same time check that the cable to the control panel is correctly positioned.
- Reinstall the screws.



45



#### Reinstall:

- panel for gear selector.
- A-pillar panel and screws and cover for grab handle.
- the rubber strips in the door opening.
- the end face panel for the dashboard.
- glove box.
- sound proofing panels.
- seat piece.
- the side panels on the centre console.