

Installation instructions, accessories - Carphone holder

Volvo Car Corporation Göteborg, Sweden



XC90

Section	Group	Weight(Kg/Pounds)	Year	Month
3	39		2002	06

Replaces issue: 2001 12

Installation instructions, accessories - Carphone holder

Volvo Car Corporation Göteborg, Sweden



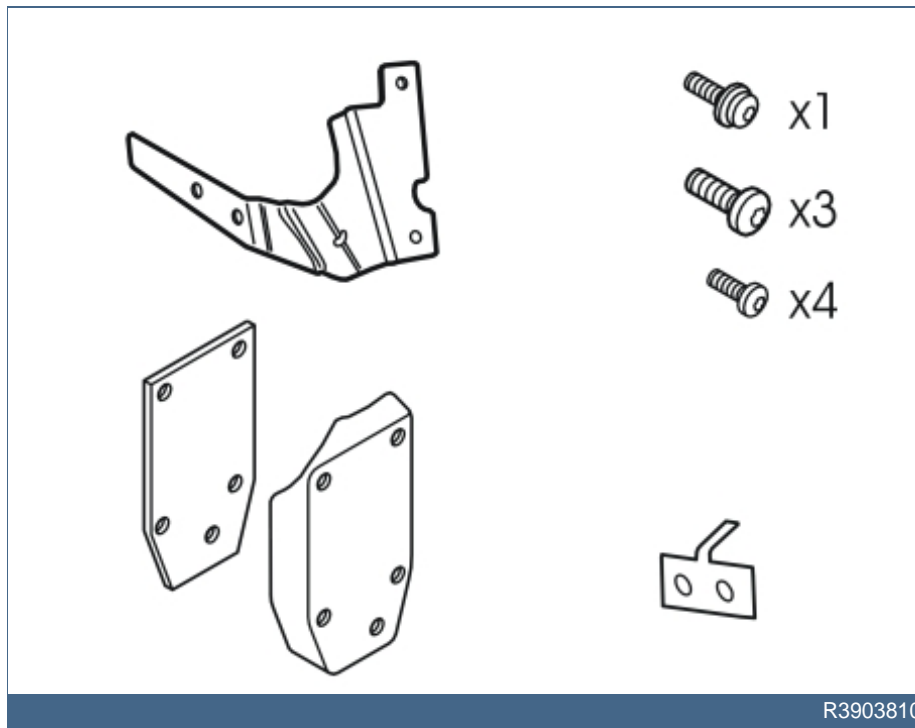
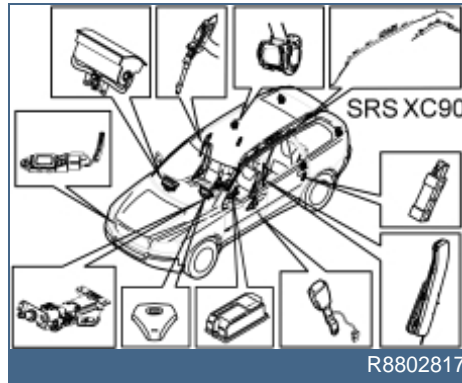
Required tools



A0000162



A0000163





Any comments on this publication? Please contact your nearest dealer. Thank you!

Publication no: MA 8685981, Issue: 2002-06
Comments:.....
From:.....
Address:.....
Telephone no:.....
Telefax:.....



INTRODUCTION

- **NOTE! Read through the entire text before carrying out any work.**
- The front page gives the date of this edition and the edition it replaces
- The second page shows the tools needed for the installation and the contents of the installation kit
- The illustrations display the procedure in order of operation. The order of operation is repeated in the text section
- Cut out the text page in order to follow the illustrations and text at the same time.

Cars equipped with SRS/SIPS (Airbag)

Warning!

Extra care must be taken when working on cars equipped with SRS/SIPS air bags. This is important to prevent:

1. Personal injury
2. Damage to or malfunction of the SRS/SIPS system.

Work on the SRS/SIPS systems or related components must always be carried out by an authorised Volvo workshop.

Is the car equipped with SRS (supplemental restraint system)?

Cars equipped with a driver's airbag have the letters "SRS" imprinted on the centre panel of the steering wheel. Cars equipped with driver's and passenger airbags are marked with "SRS" on both the steering wheel centre panel and also on the dashboard close to the airbag.

If the car is equipped with SIPS (side impact protection system) a "SIPS" decal is marked on both the front seats.

Cars equipped with inflatable curtains have the marking "SRS" on one of the panels along the posts on the inside of the car.

Cars equipped with SRS (supplemental restraint system) also have a "SRS" decal on the front windscreen.

Do not damage the SRS wiring!

Do not trap, fray, pierce or damage the SRS wiring. SRS wiring has orange casing and/or is plaited.

Steering and front suspension

The contact reel in the SRS system can easily be damaged when working on the steering wheel, steering shaft or steering gear. Refer to the SRS (supplemental restraint system) Service Manual or service instructions in VIDA for information on carrying out such work. This is to prevent damage.

SRS warning lamp

If the SRS warning lamp lights after repairs have been carried out, take the car to an authorised Volvo workshop.

SRS collision sensor control module

S60 / V70 (00-) / S80 / XC90

The collision sensor control module is located on the transmission tunnel



in the centre console, in front of the parking brake.

WARNING!

The air bag inflation areas must not be obstructed. Never place any objects, such as upholstery or accessories, within these areas. The panels must be able to deploy in the correct manner at the right time otherwise there is a risk of personal injury in the event of a collision.

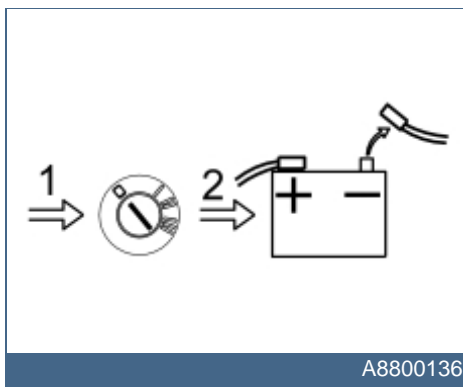
WARNING!

The ignition must be in position "0" and the key removed from the ignition if any connector in the SRS system is to be disassembled. Then wait at least one minute. Then disconnect the battery negative lead before disassembling any of the connectors. When work is completed the ignition key must be turned to position "II" before reconnecting the battery negative lead.

Carphone holder



1



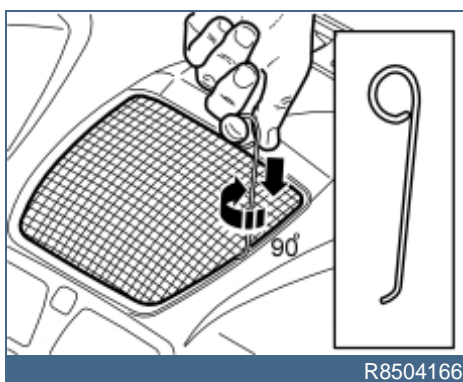
Preparations

- Position the driver's seat in the rearmost position
- Turn the ignition key to position 0
- Disconnect the battery negative lead.

Note!

Wait at least five minutes before disassembling the connectors or removing other electrical equipment.

2A



Preparations

Illustration A

Remove the loudspeaker grille as follows:

- Take a piece of 1.5 mm (1/16") diameter welding rod. Bend one end to 90° (L=5 mm (13/64")). The other end is bent to form a handle
- Insert the first bent end down into the joint between the loudspeaker grille and the dashboard as illustrated, until it engages
- Twist the welding rod 90° so that the bent section engages with the underneath of the loudspeaker grille. It may be necessary to move the welding rod along the joint to twist the rod around.

2B

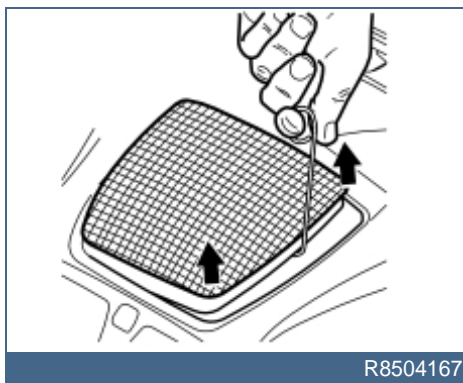


Illustration B

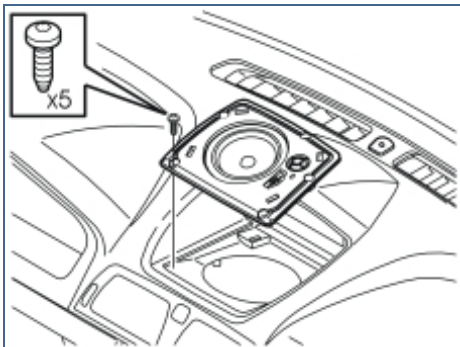
- Pull upwards until the loudspeaker grille detaches. The loudspeaker grille is securely fastened by four clips.

Note!

Do not damage the dashboard.



2C



R3904127

- Place the loudspeaker grille to one side.

Illustration C applies to cars without a centrally-mounted loudspeaker

- Remove the bracket for the loudspeaker grille by removing the five screws and pulling it up out of the dashboard.

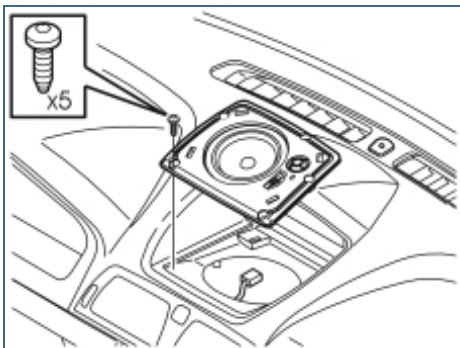
Illustration D applies to cars with a centrally-mounted loudspeaker

- Remove the five screws in the loudspeaker. Pull up the loudspeaker slightly from the dashboard. Disconnect the connector.

Illustration E applies to cars with RTI (road traffic information)

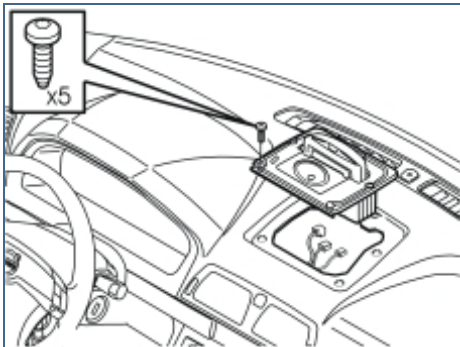
- Remove the five screws in the display for RTI (road traffic information). Pull up the display slightly from the dashboard. Disconnect the connectors. Disconnect the centrally-mounted loudspeaker connector if installed.

2D



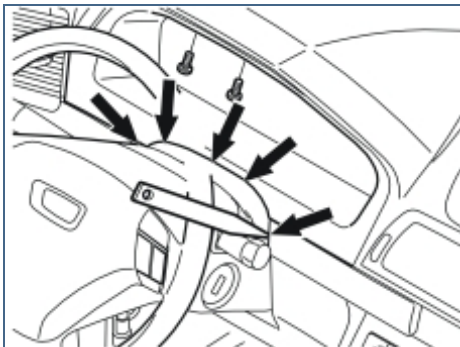
R3904128

2E



R3904129

3



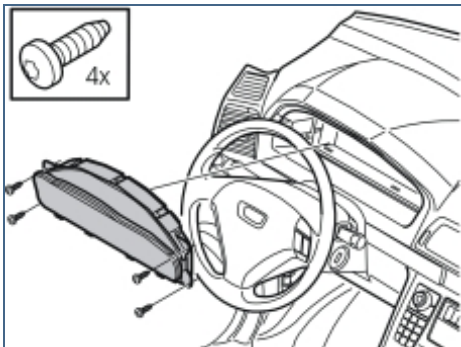
R3800878

Preparations

- Lower the steering wheel to the lowermost position. Pull the steering wheel to the rearmost position
- Remove the two screws at the top edge of the combined instrument panel surround
- Carefully pry off the rubber seal from the upper steering column cover. Use a weatherstrip tool. It is secured with five clips
- Remove the surround by carefully pulling it backwards, first at the lower edge and then at the top edge until all the clips have released.



4

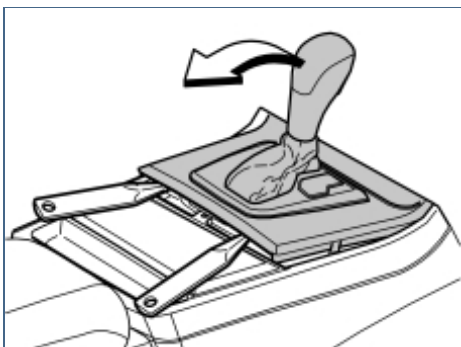


R3800876

Preparations

- Remove the four screws for the combined instrument panel
- Pull out the combined instrument panel. Disconnect the connector on the reverse of the combined instrument panel.

5

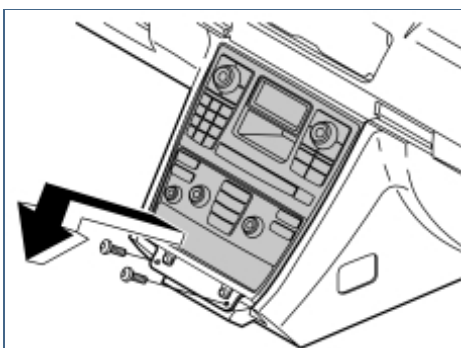


R8504113

Preparations

- **Applies to cars with automatic gearboxes**
 - Turn the ignition key to position II.
- **Applies to all models**
 - Move the gear selector lever to its rearmost position
 - Carefully pry off the gear selector lever panel at the lower edge using a weatherstrip tool. Pull the panel backwards to access the screws for the dashboard environment panel.

6

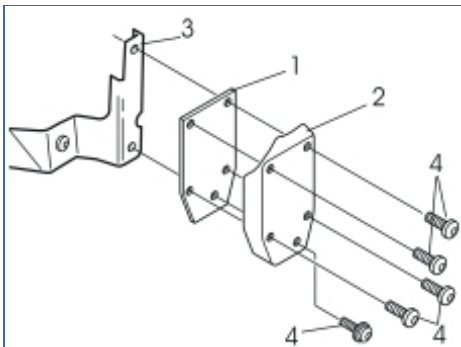


R8504051

Preparations

- Remove the screws holding the bracket for the dashboard environment panel and the control module
- Pull out the bracket at the lower edge. Pull downwards from the top edge of the centre console
- Disconnect the connectors from the dashboard environment panel, control module. If applicable disconnect the CD player and/or Mini disc player connectors.

7



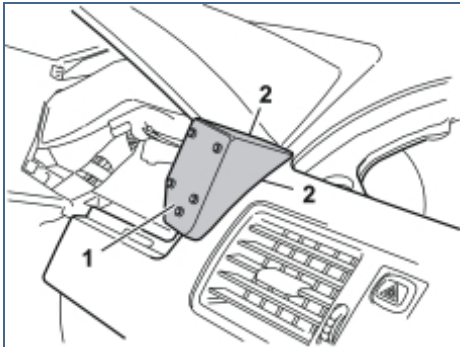
R3904206

Installing the carphone holder

- Take the carphone holder bracket, the reinforcement panel, the cover and screws from the kit
- Install the reinforcement panel (1) and the cover (2) in the bracket (3) using the screws (4).



8A



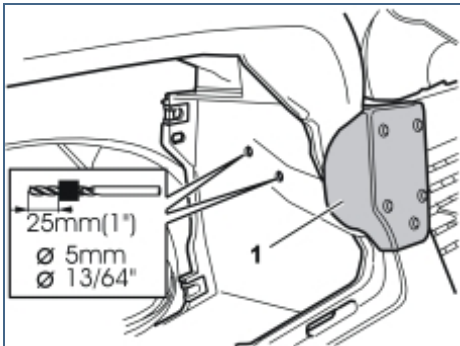
R3904204

Installing the carphone holder

Illustration A

- Position the entire unit (1) in the dashboard to mark out holes for the bracket. Adjust to achieve the optimum position. Do not press the unit hard against the dashboard, however, ensure that there are no gaps at the sides between the panel and the dashboard (2).

8B

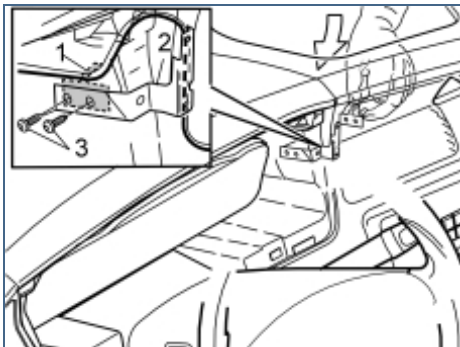


R3904205

Illustration B

- Hold the unit securely and mark out the holes through the bracket
- Drill out the two holes using a 5 mm (13/64") diameter drill bit. Use a 25 mm (1") drill stop
- Remove any swarf
- Remove the cover and the reinforcement panel from the bracket.

9

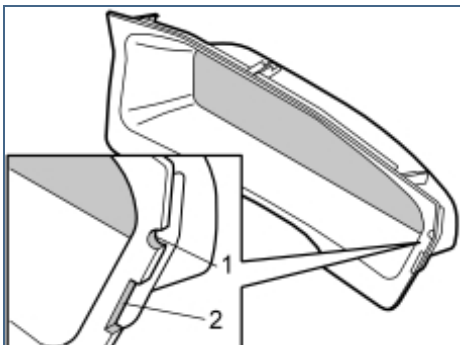


M8902743

Installing the carphone holder

- Take the reinforcement panel (1) and the two screws from the kit
- Position the carphone holder wiring so that it is routed on the reverse of the bracket as illustrated
- Insert the reinforcement panel through the hole for the centre loudspeaker
- Install the bracket (2). Use the two screws (3). Tighten the bracket against the dashboard.

10



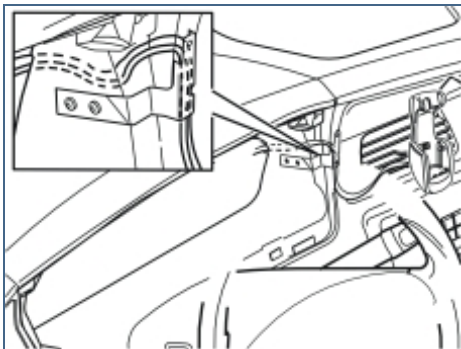
M8502881

Installing the carphone holder

- Mark out the hole for the wiring for the handset holder and bracket on the surround for the combined instrument panel
- File out a groove (1) in the surround for the combined instrument panel for the wiring for the handset holder
- File the hole so that it is large enough for any excess wiring to be routed through the hole and hidden on the inside of the dashboard
- File out a groove (2) for the installed bracket
- Smooth off the edges of the groove.



11

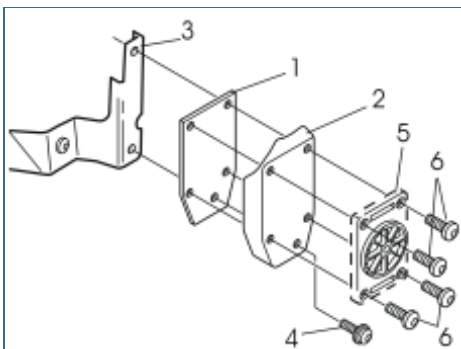


R3903766

Installing the carphone holder

- Route the wiring to the carphone holder from the hole for combined instrument panel. Position the wiring at the left air duct in the centre console. Do not route more wiring than is required to secure the carphone holder
- Connect the combined instrument panel. Reinstall the combined instrument panel
- Reinstall the surround for the combined instrument panel. Tighten.

12

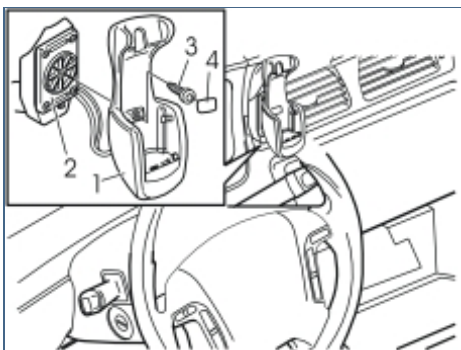


R3903763

Installing the carphone holder

- Install the bracing plate (1) and the cover (2) in the bracket (3). Use the screw (4) (from the kit). Do not tighten fully yet
- Remove the mounting plate (5) for the carphone holder from the carphone holder. Tighten the mounting plate using the screws (6) from the kit
- Tighten the screw (4).

13A



M3903001

Installing the carphone holder

Illustration A applies to Nokia

- Tighten the carphone holder (1) onto the mounting plate (2) using the screw (3)
- Install the cover (4).

Illustration B applies to the Ericsson T28, T29, T39

- Tighten the upper section of the carphone holder (1) onto the mounting plate (2) using the screw and washer (3)

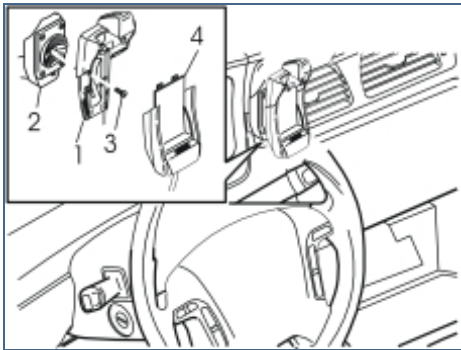
- Press the lower section (4) of the carphone holder onto the upper section.

Illustration C applies to the Ericsson T20

- Tighten the carphone holder mounting (1) onto the mounting plate (2) using the screw and washer (3)

- Press the carphone holder (4) onto the mounting.

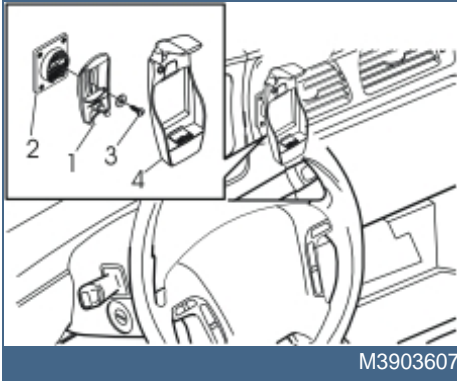
13B



M3903171



13C



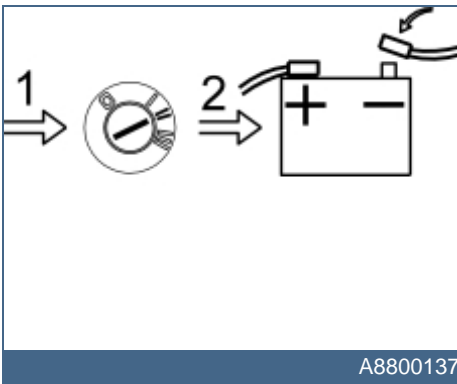
M3903607

14

Installing the carphone holder

- Connect the connectors to the dashboard environment panel and control module. If applicable connect the CD player and/or Mini disc player connectors
- Position the bracket. Tighten the bracket using the two screws. Reinstall the gear selector lever panel
- Reinstall (depending on the equipment of the car):
 - the display for the RTI and the centre loudspeaker if applicable
 - the centre loudspeaker
 - the bracket for the loudspeaker grille
 - the loudspeaker grille.

15



A8800137

Installing the carphone holder

- Turn the ignition key to position II
- Reconnect the battery negative lead.