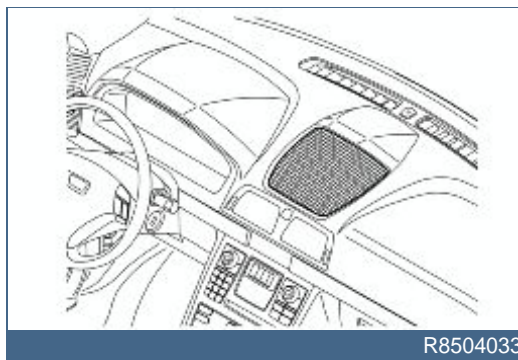




XC90

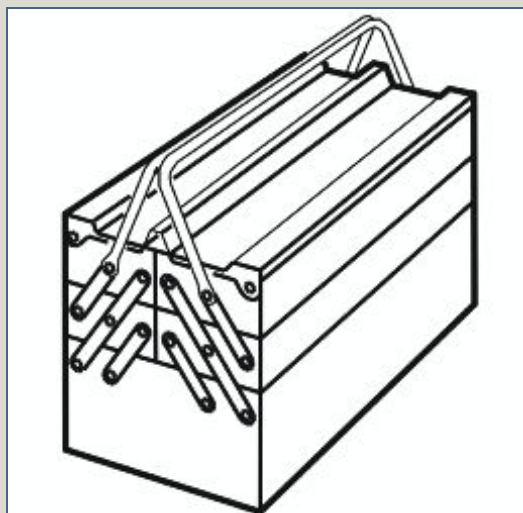
Section	Group	Weight(Kg/Pounds)	Year	Month
3	39		2001	05

XC90 2003, XC90 2004, XC90 2005, XC90 2006, XC90 2007, XC90 2008, XC90 2009, XC90 2010

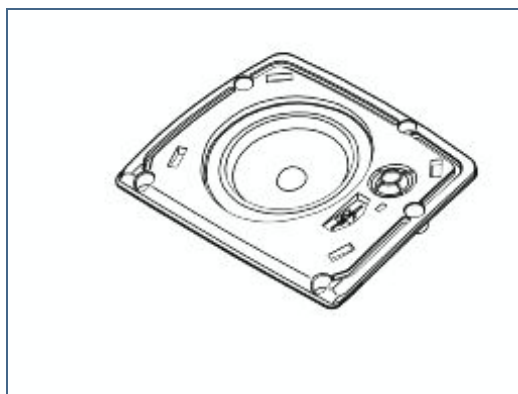




Required tools



A0000162



R3903610



Any comments on this publication? Please contact your nearest dealer. Thank you!

Publication no: MA 9162297, Issue: 2001-05
Comments:.....
From:.....
Address:.....
Telephone no:.....
Telefax:.....



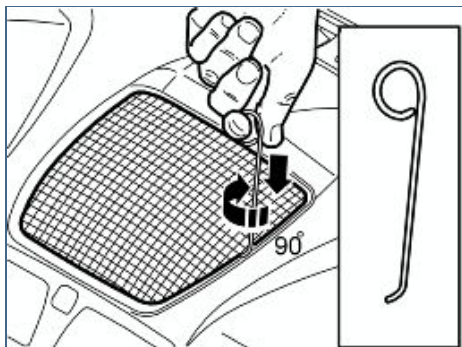
INTRODUCTION

Centre loudspeaker

- **NOTE! Read through the whole installation instruction before starting the work.**
- The front page gives the date of this edition and the edition it replaces
- The second page shows the tools needed for the installation and the contents of the installation kit
- The illustrations display the procedure in order of operation. The order of operation is repeated in the text section
- Cut out the text page in order to follow the illustrations and text at the same time.



1A



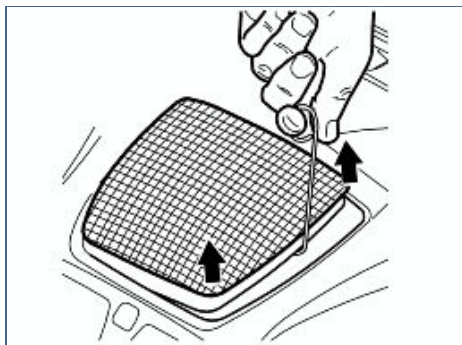
R8504166

Illustration A

Remove the loudspeaker grille as follows:

- Take a piece of 1.5 mm (1/16") diameter welding rod. Bend one end to 90° (L=5 mm (13/64")). The other end is bent to form a handle
- Insert the first bent end down into the joint between the loudspeaker grille and the dashboard as illustrated, until it engages
- Twist the welding rod 90° so that the bend section engages with the underneath of the loudspeaker grille. It may necessary to move the welding rod along the joint to twist the rod around.

1B



R8504167

Illustration B

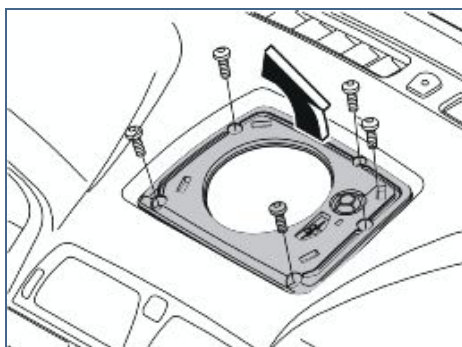
- Pull upwards until the loudspeaker grille detaches. The loudspeaker grille is securely fastened by four clips.

Note!

Do not damage the dashboard.

- Place the loudspeaker grille to one side.

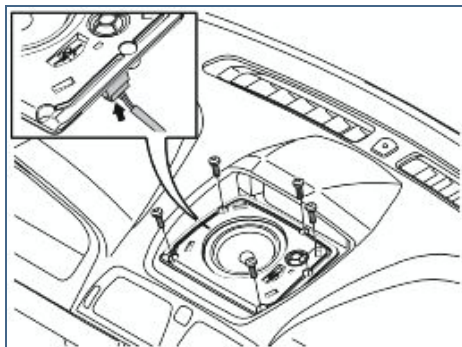
2



R3903737

- Remove the five screws in the loudspeaker cut-out bracket
- Pull up the bracket and place to one side. The bracket will not be reused.

3



R3903612

- Take the new loudspeaker, connect the pre-routed connector in the dashboard to the loudspeaker
- Position the loudspeaker. Tighten the loudspeaker using the five screws positioned in the loudspeaker cut-out bracket
- Reinstall the loudspeaker grille.