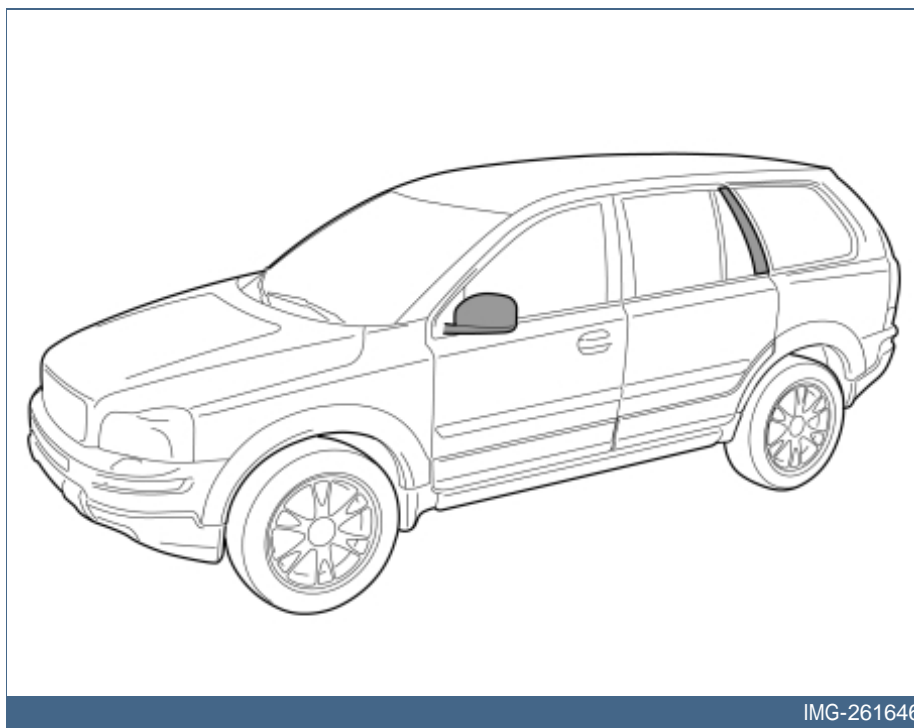




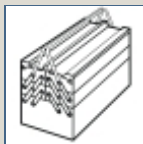
XC90

Section	Group	Weight(Kg/Pounds)	Year	Month
8	841	0.6/1.3	2006	11

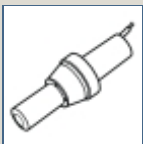




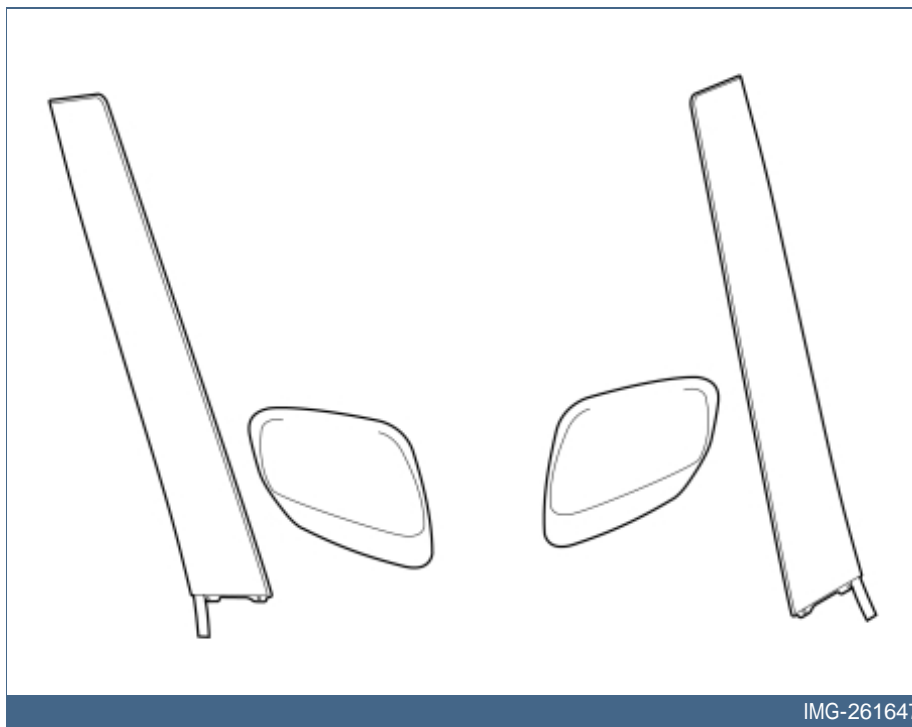
Required tools



A0000162



A0000166



IMG-261647

Any comments on this publication? Please contact your nearest retailer. Thank You!

Publ.no:	Issue:	Kit no:
Comments:.....		
.....		
.....		
.....		

From:	
Address:	
Telephone:	
Telefax:	

IMG-213320





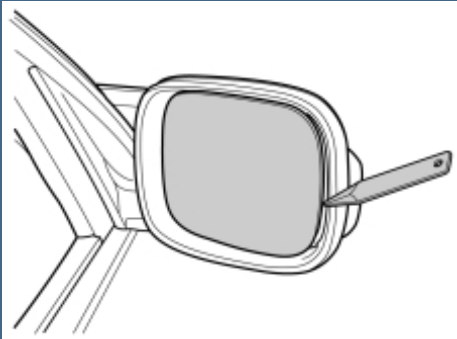
INTRODUCTION

Decor panel, exterior

- **NOTE! Read through the entire text before carrying out any work.**
- The front page gives the date of this edition and the edition it replaces
- The second page shows the tools needed for the installation and the contents of the installation kit
- The illustrations display the procedure in order of operation. The order of operation is repeated in the text section
- Cut out the text page in order to follow the illustrations and text at the same time.



1

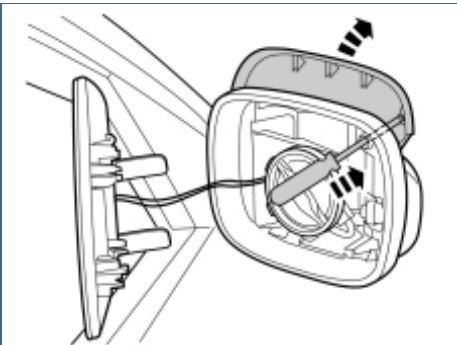


IMG-261648

Installation of decor panel, door mirrors

- Carefully prise loose the mirror glass using a weatherstrip tool.

2



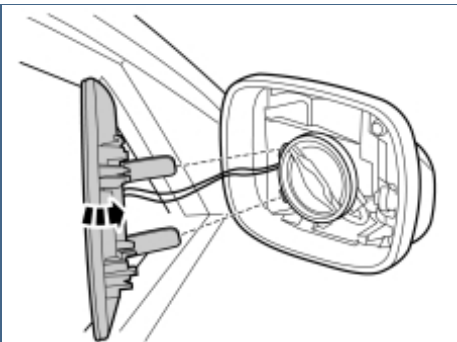
IMG-261649

- Carefully pry out the mirror cover using a small screwdriver.

Note!

Do not damage the wiring for the mirror glass or the damper blade.

3



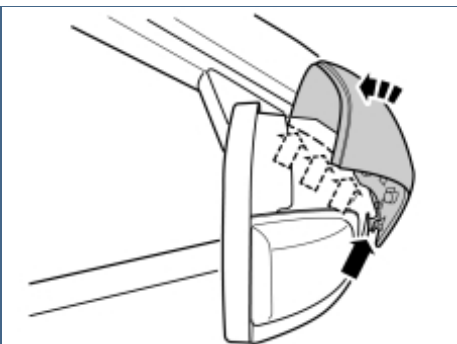
IMG-261650

- Reinstall the mirror glass.

Note!

Ensure that the damper blade fits in its cradle.

4

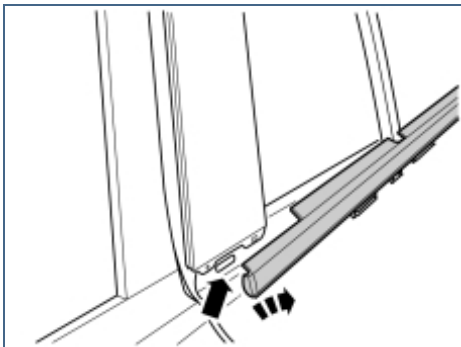


IMG-261651

- Install the new cover.



5



IMG-261652

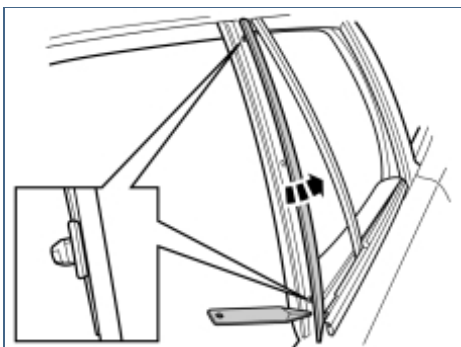
Installation of decor panel, rear side window

- Lift up the rear end of the weatherstrip on the rear doors so that the hooks release. Lift it up further and turn it out from the window.

Note!

Take care not to bend the metal strip.

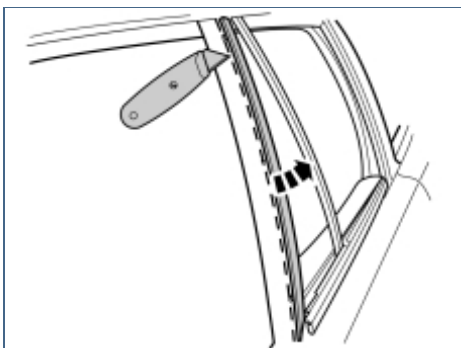
6



IMG-261653

- Carefully pry off the panel at the rear edge using a weatherstrip tool until the two clips at the top and bottom release.

7



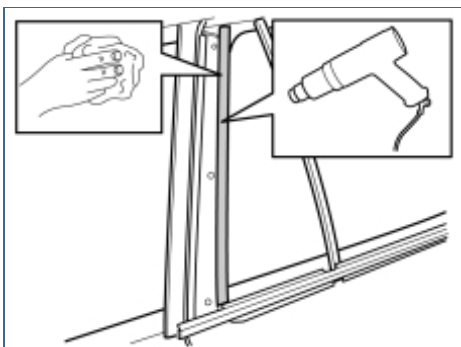
IMG-261654

- Turn the panel out at the rear edge so that the tape at the front edge can be cut off.
- Now carefully cut off the panel's front edge from the tape from the top and down.

Note!

Place the piece against the panel to prevent cutting through the paint.

8



IMG-261655

- Remove the remaining pieces of tape. Use a hot air gun to soften the tape.

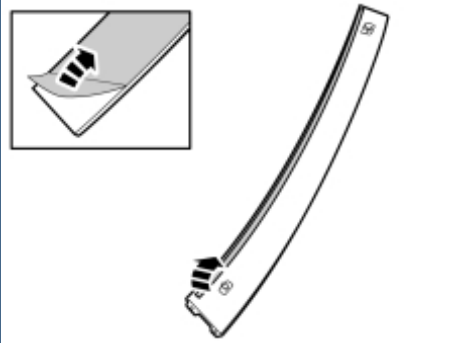
Note!

Do not damage the rubber strip when using the hot air gun.

- Clean the marked surface console with isopropanol **part no. 1161721** and wipe it dry.



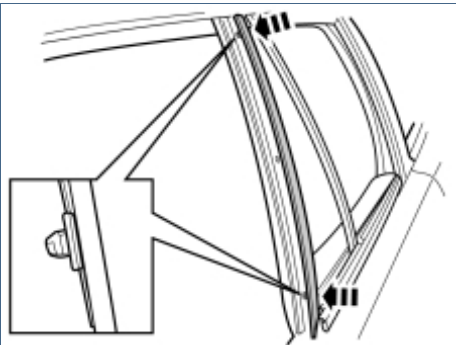
9



IMG-261656

- Remove the protective tape from the decor panel.

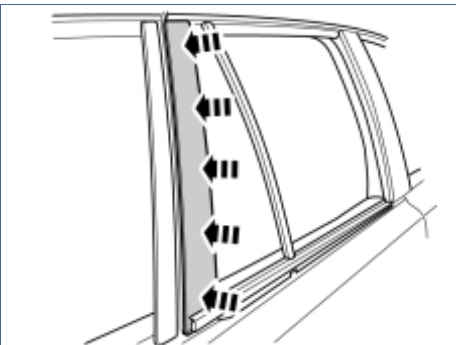
10



IMG-261657

- Position the panel clips in the holes in the door arch and press into place.

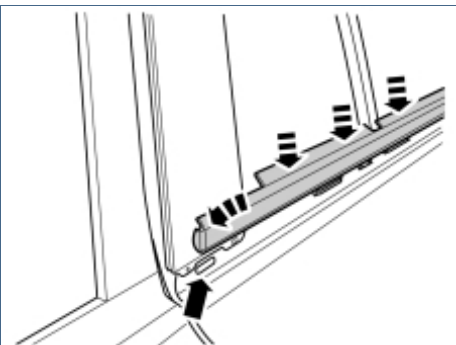
11



IMG-261658

- Press the decor strip firmly onto the clips and tape.

12



IMG-261659

- Press the weatherstrip into place. Ensure that the hook at the rear edge engages in the hole in the door arch.
- Repeat the steps for the other side of the car.