



XC90

Section	Group	Weight(Kg/Pounds)	Year	Month
8	882	0.7 (1.5)	2007	09



IMG-279844

Installation instructions, accessories - Decor panel, interior

Volvo Car Corporation Göteborg, Sweden



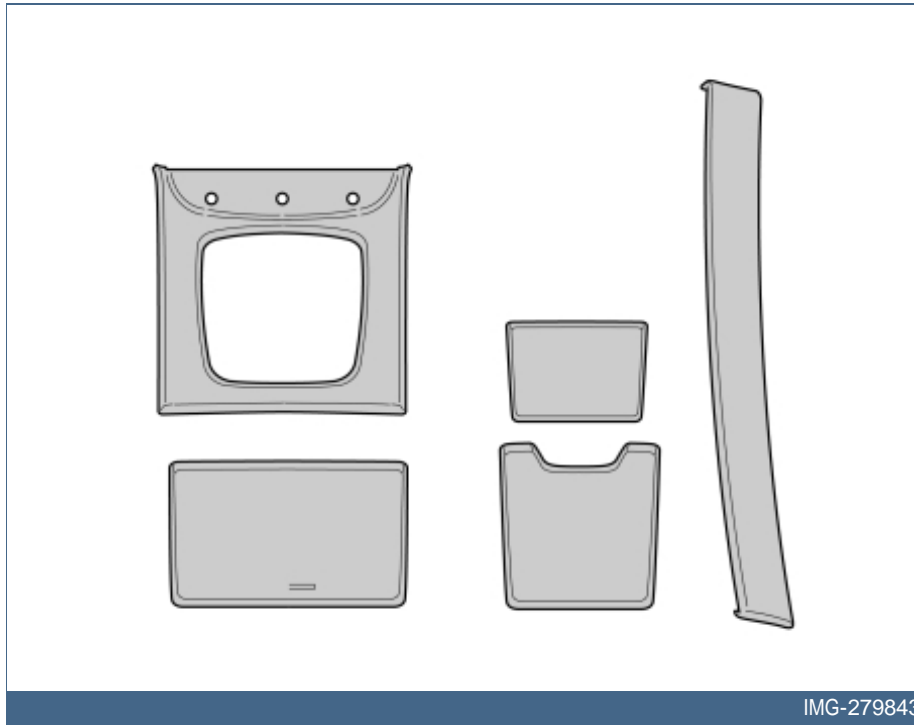
Required tools



A0000162



IMG-239667



IMG-279843

Any comments on this publication? Please contact your nearest retailer. Thank You!

Publ.no:	Issue:	Kit no:
Comments:.....		
.....		
.....		
.....		

From:	
Address:	
Telephone:	
Telefax:	

IMG-213320





INTRODUCTION

- **NOTE! Read through the entire text before carrying out any work.**
- The front page gives the date of this edition and the edition it replaces
- The second page shows the tools needed for the installation and the contents of the installation kit
- The illustrations display the procedure in order of operation. The order of operation is repeated in the text section
- Cut out the text page in order to follow the illustrations and text at the same time.

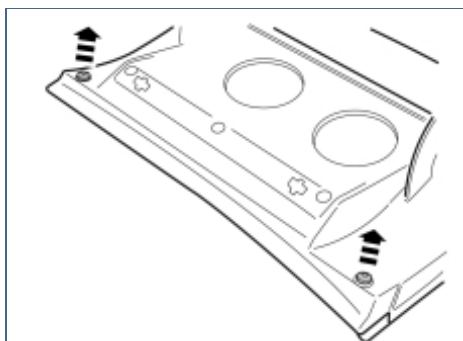
Decor panel, interior

Note!

Some steps in these installation instructions are presented with illustration only.



1

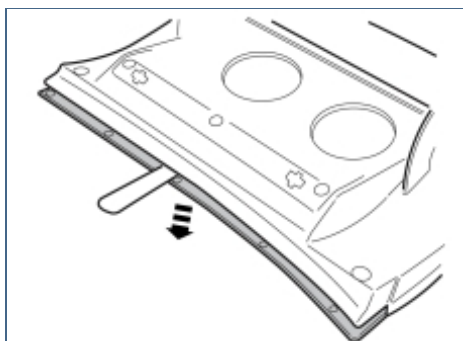


IMG-279850

Installing, decor panel Glove box

- Open the glove box hatch. Remove the two outer screws that hold the decor strip.

2

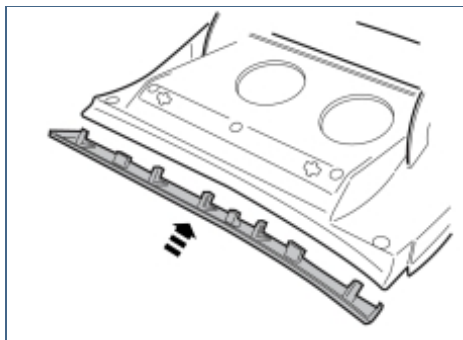


IMG-279851

Installing, decor panel

- Carefully bend loose the decor strip from the glove box hatch with a weatherstrip tool. It is fastened with three clips.

3

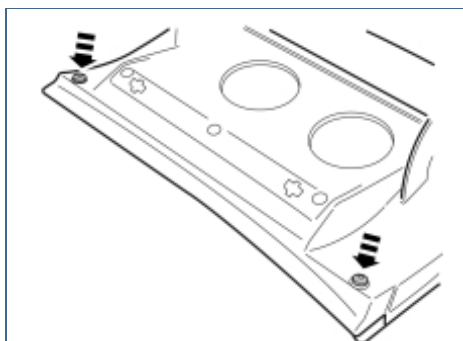


IMG-279852

Installing, decor panel

- Get a new panel from the kit and press it into place, instead of the removed.

4

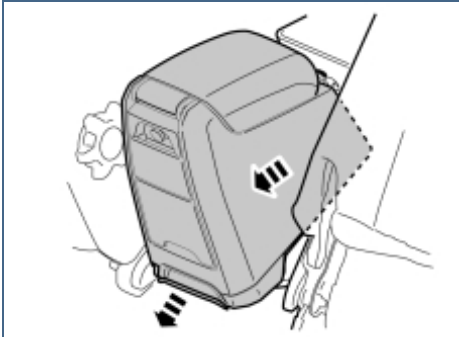


IMG-279853

Installing, decor panel



5

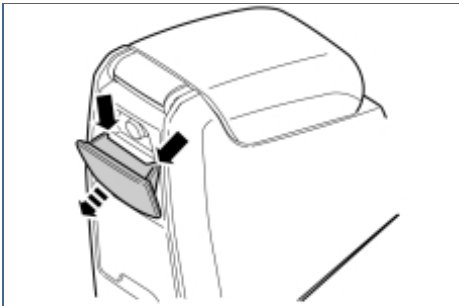


IMG-279855

Ashtray

- Grab the handle at the trailing edge/lower edge of the rear part of the tunnel console. Pull backwards until the locks by the sides release, and pull loose the unit backwards.

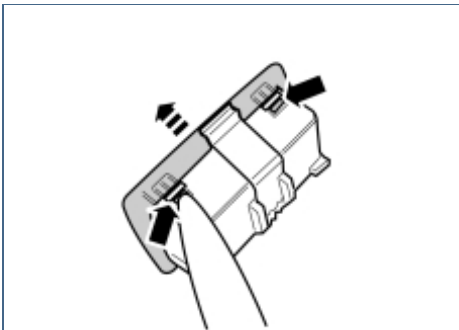
6



IMG-279856

- Open the ashtray.
- Press down the ashtray until the catches by the sides are clear from the stops in the holder.
- Pull out the ashtray more and lift it out.

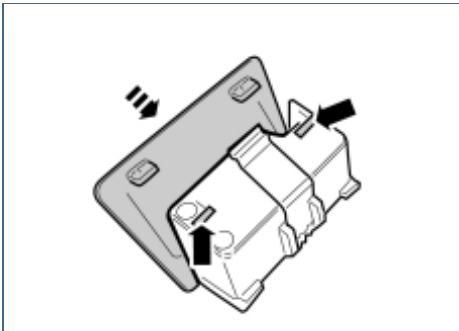
7



IMG-279858

- Unfasten the panel's lock catches and unhook it from the top edge on the ashtray.

8

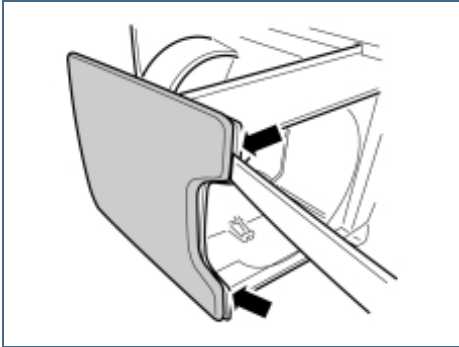


IMG-279859

- Get a new panel from the kit. Hook it on in the ashtray's top edge and press at the bottom so that the lock catches engage.



9A

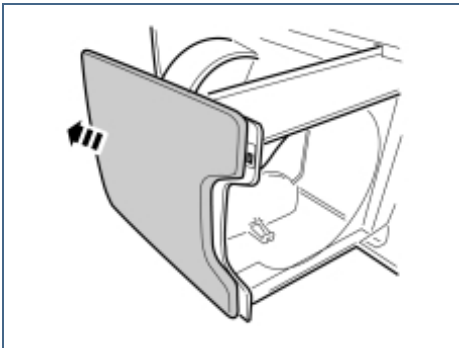


IMG-279860

Rear, cup holder Illustration A

- Pull out the cup holder. Lay the tunnel console on the side on a surface that will not cause any damage.
- Carefully bend loose the panel on both sides at the bottom so that the panel's small lock catches are in the clear.

9B

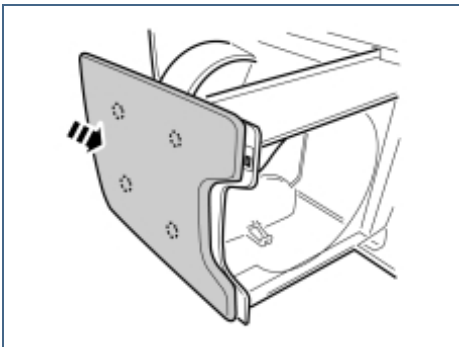


IMG-279862

Illustration B

- Push up the panel so that it unhooks from the four attachments on the inside. New panel is included in the kit.

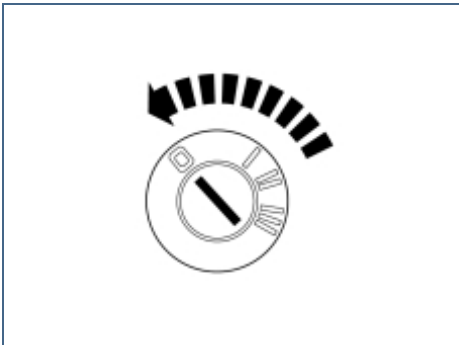
10



IMG-279861

- Get a new panel from the kit. Fit the four attachment catches in the holder and press into place.

11



IMG-245980

Cover, middle console

- Turn the ignition key to position 0.

Note!

Wait at least three minutes before unplugging the connectors or removing other electrical equipment.



12



IMG-280165

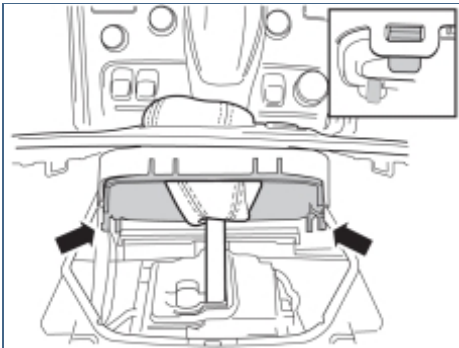
Applies to cars with automatic gearbox

- Turn the ignition key to position II.

Applies to all models

- Move the gear selector lever to its rearmost position.
- Use a weatherstrip and pry off the gear selector panel at the rear edge.

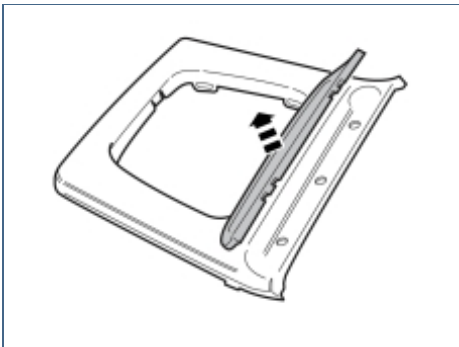
13



IMG-239204

- Press in the catches and remove the panel.

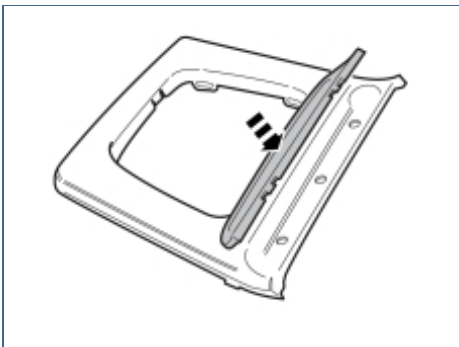
14



IMG-279847

- Remove the pen box from the panel.
- Place the panel aside, new is included in the kit.

15

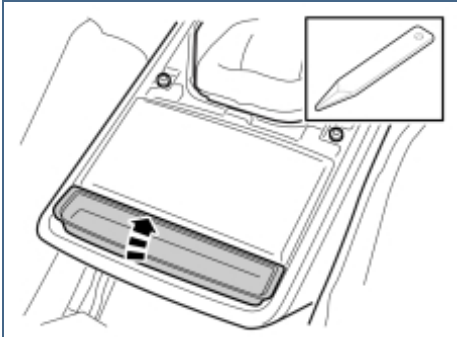


IMG-279849

- Get a new panel from the kit.
- Press the pen box into place.



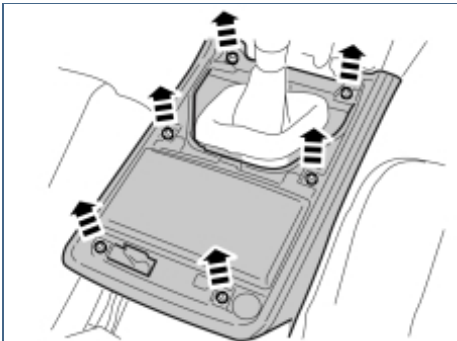
16



IMG-279883

- Carefully bend loose the small rear compartment in the tunnel console with a weatherstrip tool.

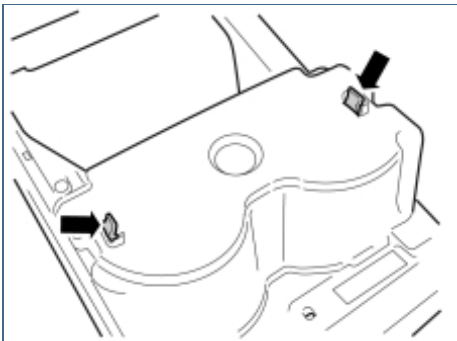
17



IMG-279884

- Remove the six screws in the frame for the tunnel console.
- Lift away the frame.

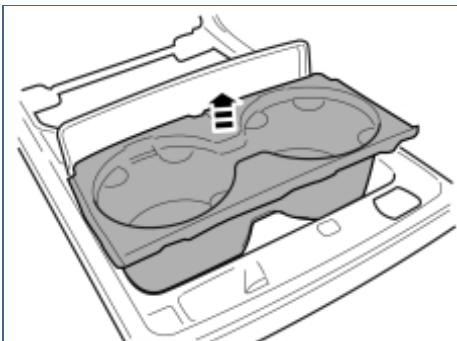
18



IMG-279885

- Place the frame upside down on a surface that will not cause any damage.
- Move the attachment catches to the side and press them out through the bottom.

19

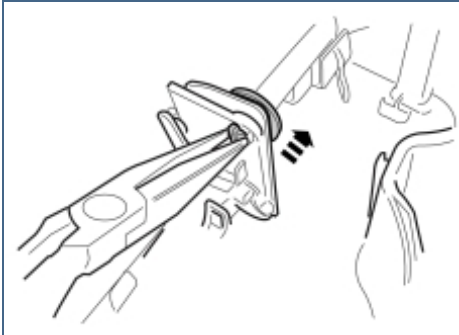


IMG-279886

- Open the cover and pull up the insert.



20



IMG-279887

- Press together the cover's middle attachment clips with spring and carefully press it out.

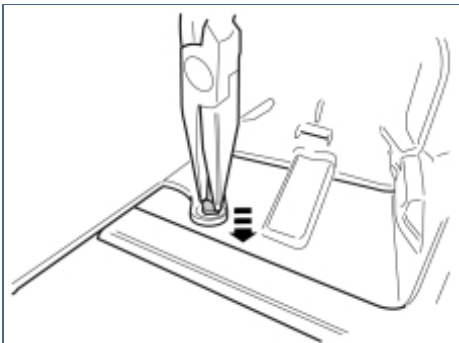
21



IMG-279888

- Fold the arm forward so that it moves from the middle attachment.

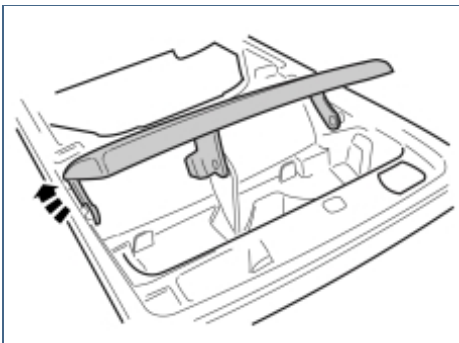
22



IMG-279889

- Press together the cover's attachment clips on both sides and press them.

23A



IMG-279890

Illustration A

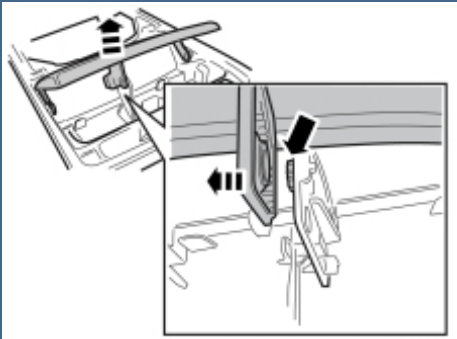
- Bend out the cover's attachment arms from the holes in the sides. First bend up the cover's left attachment.

Illustration B

- Pull away the cover's middle attachment so that it is clear of the gear.
- Lift out the cover. New cover is included in the kit.

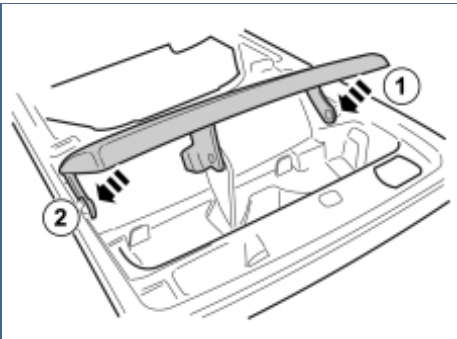


23B



IMG-279891

24A



IMG-279892

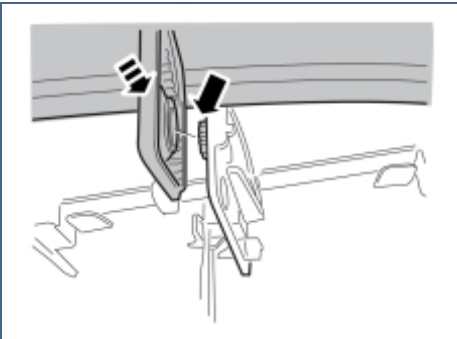
Illustration A

- Get a new cover from the kit and install.

Illustration B

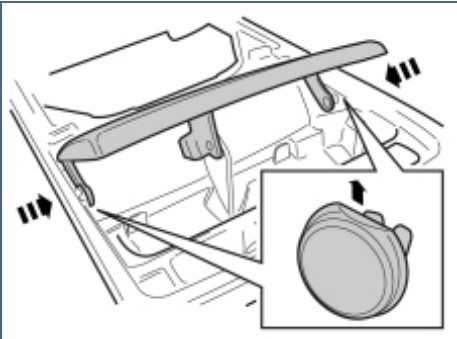
- Make sure that the gear ends up correctly in the cover's rack.

24B



IMG-279893

25

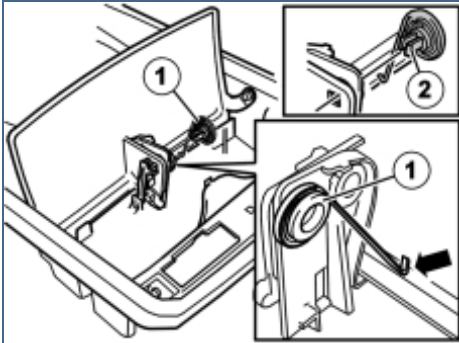


IMG-279894

- Press the clips into place on both sides. Make sure that the clips' bevelled part faces up.



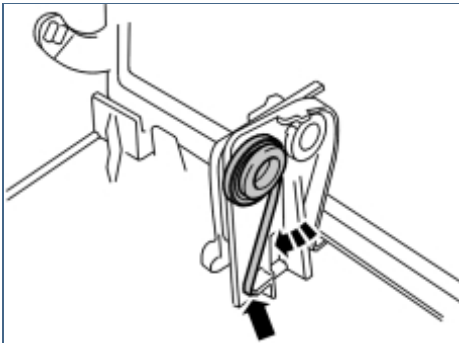
26



R8803199

- Check that the internal catch on the spring is attached in the clip.
- Align the spring's arm against the cover and install the clip (1) with the spring. The catches (2) on the clip shall be placed vertically.

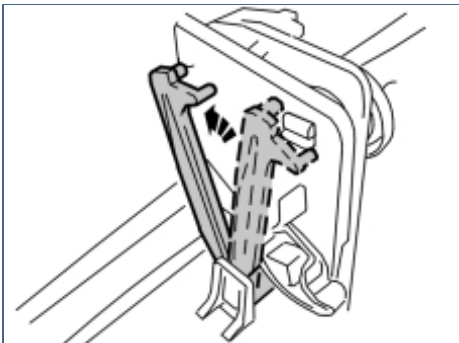
27



R8803178

- Move the spring's arm backwards so that the catch engages in the attachment under the clip.

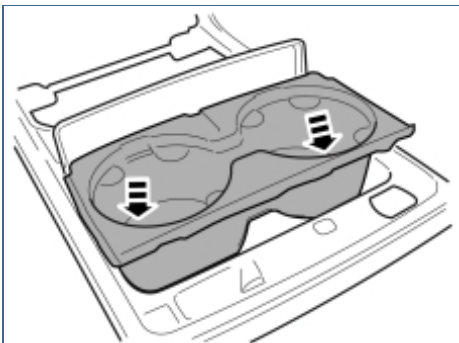
28



R8803220

- Move the arm forward for the mechanism.
- Check the function of the cover.

29

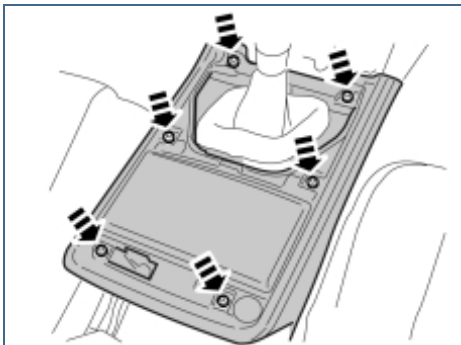


IMG-279895

- Press the cup holder into place and make sure that the clips engage.



30



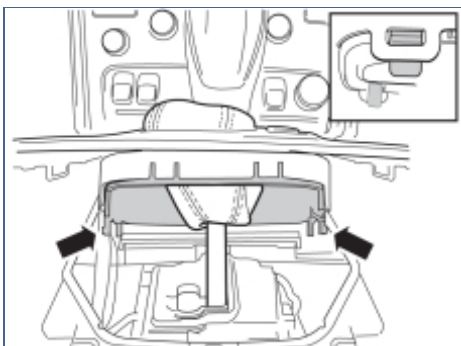
IMG-279896

31



IMG-280803

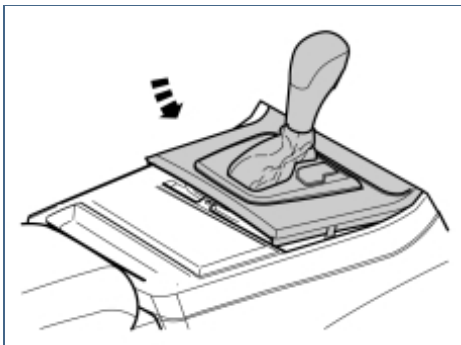
32



IMG-239204

- Get the new panel and press into place in the gear lever's holder. Make sure that the catches engage.

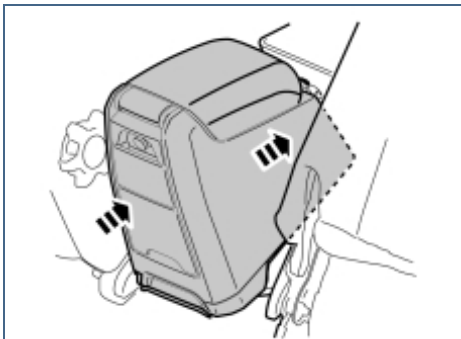
33



IMG-279903



34



IMG-279904