

Installation instructions, accessories - Aluminium door sill trim strip

Volvo Car Corporation Göteborg, Sweden



S60 / S80 / V70 / V70 XC / XC70 / XC90

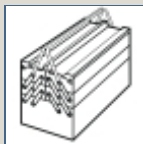
Section	Group	Weight(Kg/Pounds)	Year	Month
8	84		2004	03

Installation instructions, accessories - Aluminium door sill trim strip

Volvo Car Corporation Göteborg, Sweden



Required tools



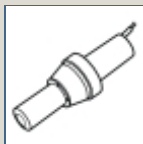
A0000162



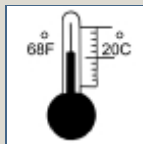
A0000214



A0000177

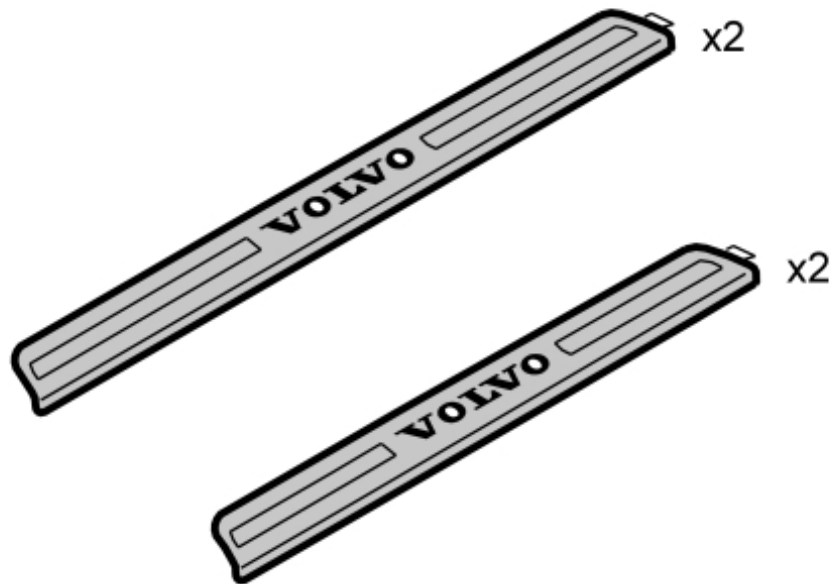


A0000166



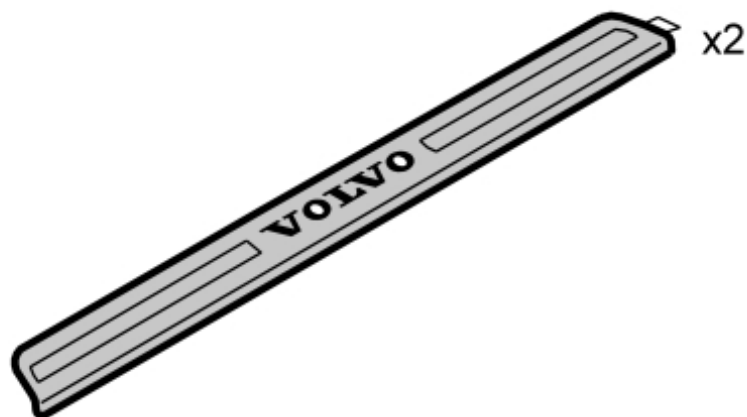
M0000232

S80



D8401165

S60/V70/XC90



M8401166



Any comments on this publication? Please contact your nearest dealer. Thank you!

Publication no: MA 30660970, Issue: 2004-03
Comments:.....
From:.....
Address:.....
Telephone no:.....
Telefax:.....



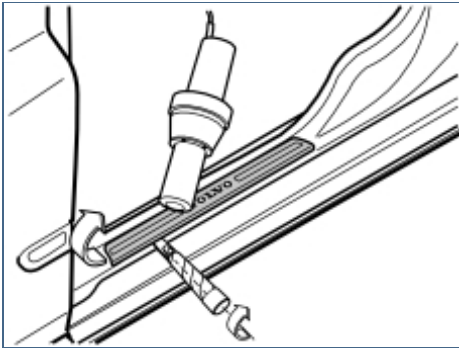
INTRODUCTION

Aluminium door sill trim strip

- **NOTE! Read through the entire text before carrying out any work.**
- The front page gives the date of this edition and the edition it replaces
- The second page shows the tools needed for the installation and the contents of the installation kit
- The illustrations display the procedure in order of operation. The order of operation is repeated in the text section
- Cut out the text page in order to follow the illustrations and text at the same time.



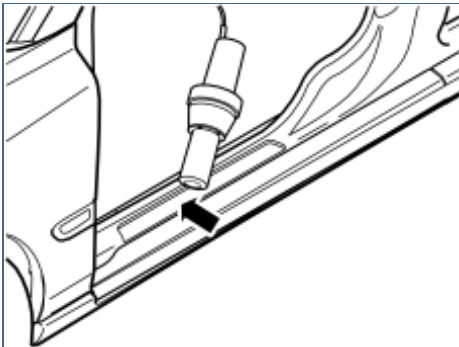
1



M8401168

- Clean the door sills where the new door sill trim strips are to be installed
- Heat the door sill trim strip using a hot-air gun to approximately 60°C. At the same time detach the door sill trim strip. Use a plastic weatherstrip tool. Do not damage the painted surfaces.

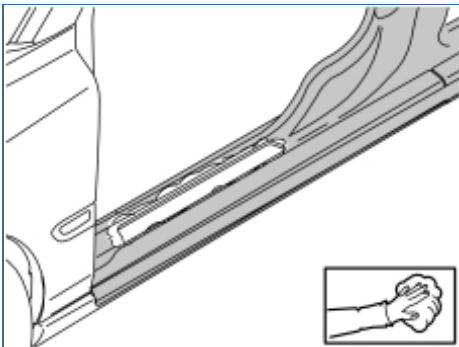
2



M8401169

- Heat and remove the remaining pieces of tape.

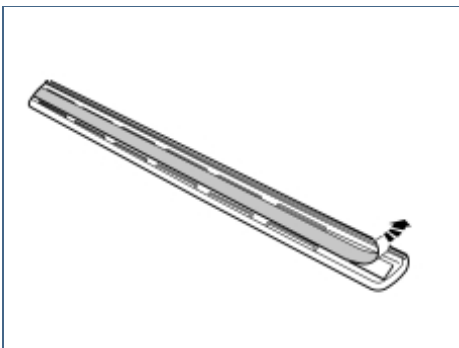
3



M8401170

- Clean the surfaces where the new door trim strip is to be installed. Use a mixture of 30 % windscreen washer fluid and 70% water. Wipe dry.

4

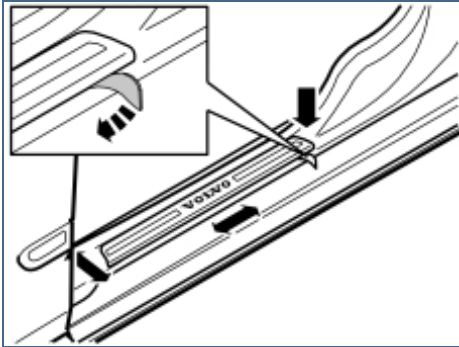


M8401167

- Take the door sill trim strip from the kit. Pull off a small piece of masking tape.



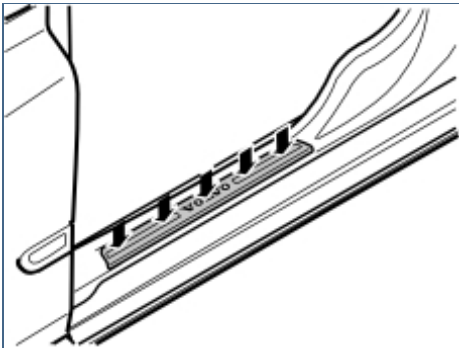
5



M8401171

- Carefully position and align the door sill trim strip in place of the old door sill trim strip
- Press the front edge so that the tape adheres
- Pull off the masking tape whilst maintaining the position of the door sill trim strip. Press the trim after removing the masking tape.

6



M8401172

- Secure the door sill trim strip securely in position. Use a pressure of 2 kg/cm² along the entire length of the door sill trim strip.

Note!

Work must be carried out at a temperature of at least 20°C (68°F). Leave the car indoors for 2 hours after carrying out the work. Do not wash the car for 48 hours.