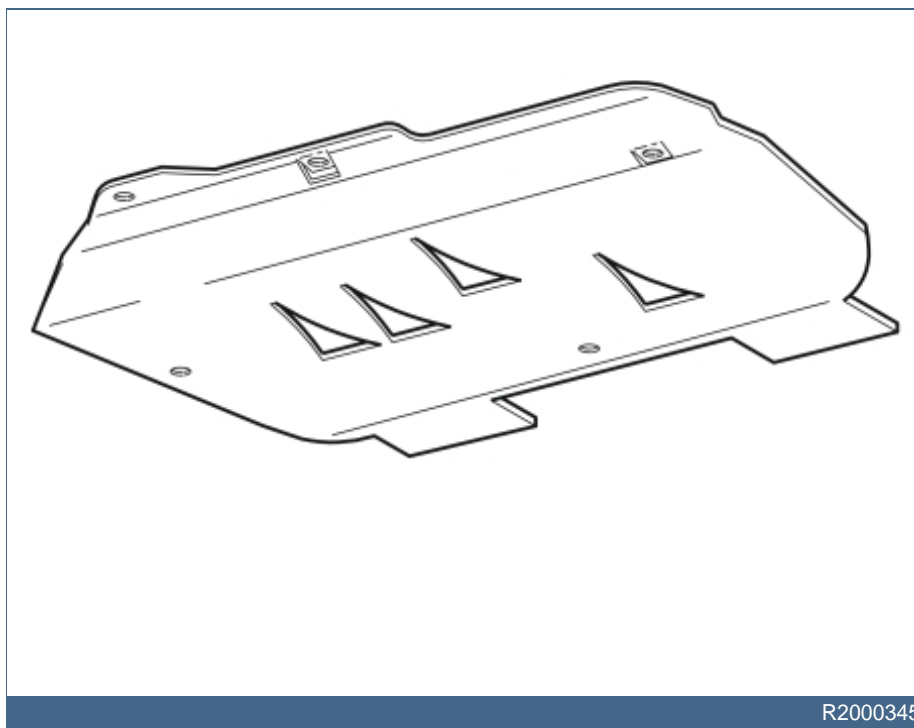




XC90

Section	Group	Weight(Kg/Pounds)	Year	Month
2	21		2001	12

XC90 2003, XC90 2004



Installation instructions, accessories - Engine splash guard

Volvo Car Corporation Göteborg, Sweden



Required tools

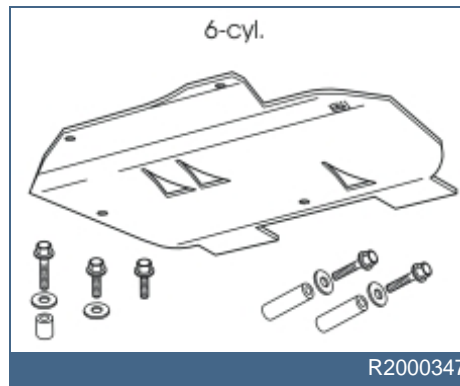
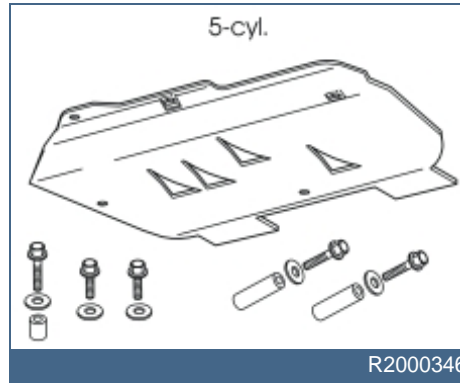


A0000162



Nm
lbf.ft

A0000161





Any comments on this publication? Please contact your nearest dealer. Thank you!

Publication no: MA 9162348, Issue: 2001-12
Comments:.....
From:.....
Address:.....
Telephone no:.....
Telefax:.....



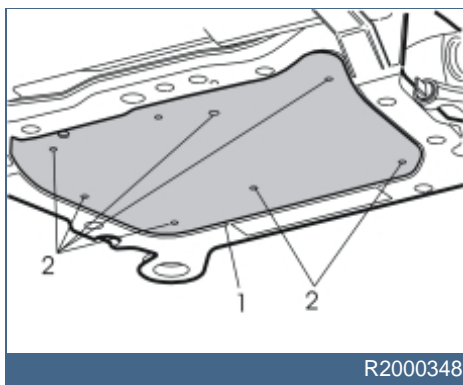
INTRODUCTION

Engine splash guard

- **NOTE! Read through the entire text before carrying out any work.**
- The front page gives the date of this edition and the edition it replaces
- The second page shows the tools needed for the installation and the contents of the installation kit
- The illustrations display the procedure in order of operation. The order of operation is repeated in the text section
- Cut out the text page in order to follow the illustrations and text at the same time.



1



- Raise the car
- Remove the screws (2). Remove the air baffle (1).

2A

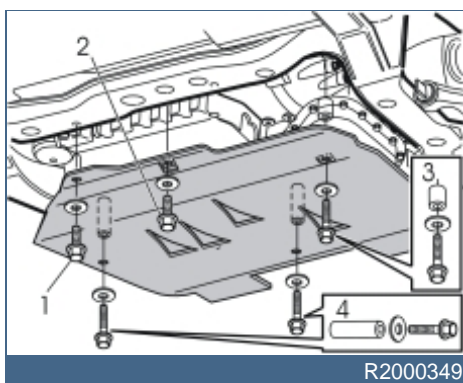


Illustration A applies to 5 cylinder engines

- Lift up the engine splash guard towards the sub-frame. Install the two front screws (1 & 2) and washers. Finger tighten the screws
- Position the spacer sleeves between the engine splash guard and the sub-frame as follows: Spacer sleeve L = 33 mm (1 5/16") at the hole (3). Spacer sleeve L = 45 mm (1 3/4") at the holes (4)
- Install the three screws and washers.

2B

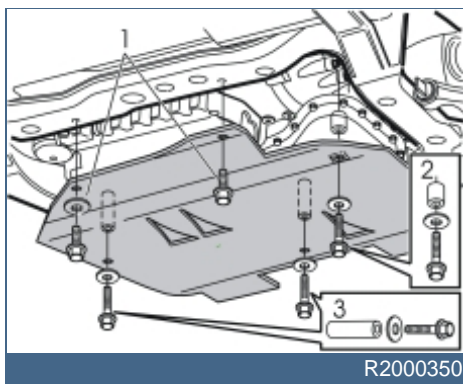


Illustration B applies to 6 cylinder engines

- Lift up the engine splash guard towards the sub-frame. Install the two front screws (1) with and without washers. See the illustration. Finger tighten the screws
- Position the spacer sleeves between the engine splash guard and the sub-frame as follows: Spacer sleeve L = 33 mm (1 5/16") at the hole (2). Spacer sleeve L = 45 mm (1 3/4") at the holes (3)
- Install the three screws and washers.

Applies to all models

- Tighten the screws. Tighten to 25 Nm (19 lbf. ft.)
- Allow the material to "settle" for approximately one minute. Post-tighten all the screws.