

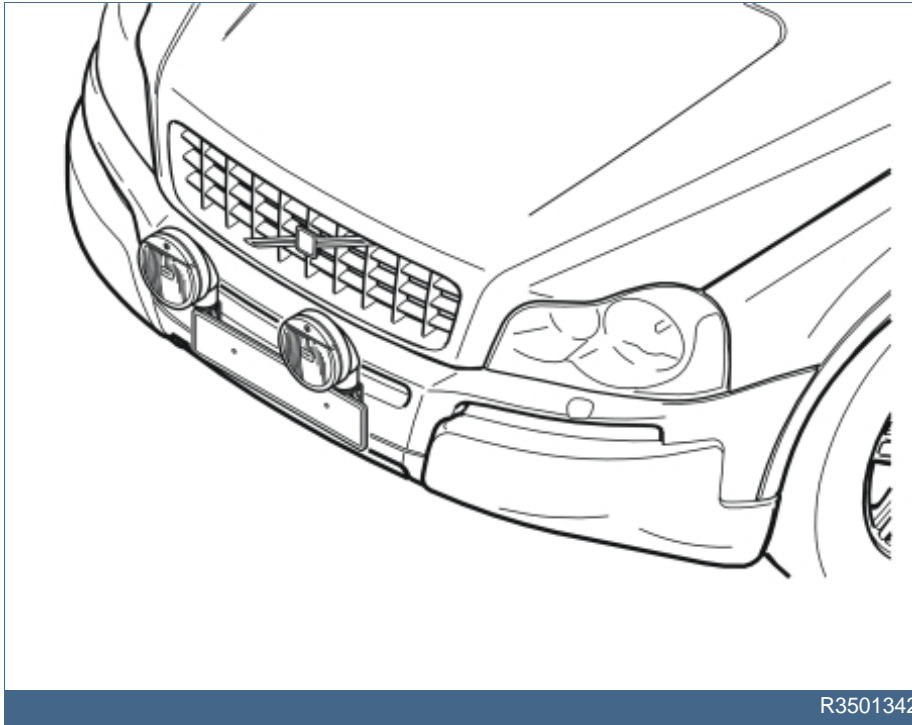


S80 (-06) / XC90

Section	Group	Weight(Kg/Pounds)	Year	Month
3	35		2002	09

S80 (-06) 1999, S80 (-06) 2000, S80 (-06) 2001, S80 (-06) 2002, S80 (-06) 2003, S80 (-06) 2004, S80 (-06) 2005, S80 (-06) 2006, XC90 2003, XC90 2004, XC90 2005, XC90 2006, XC90 2007, XC90 2008

Replaces issue:
2002 03



R3501342



Required tools



A0000162

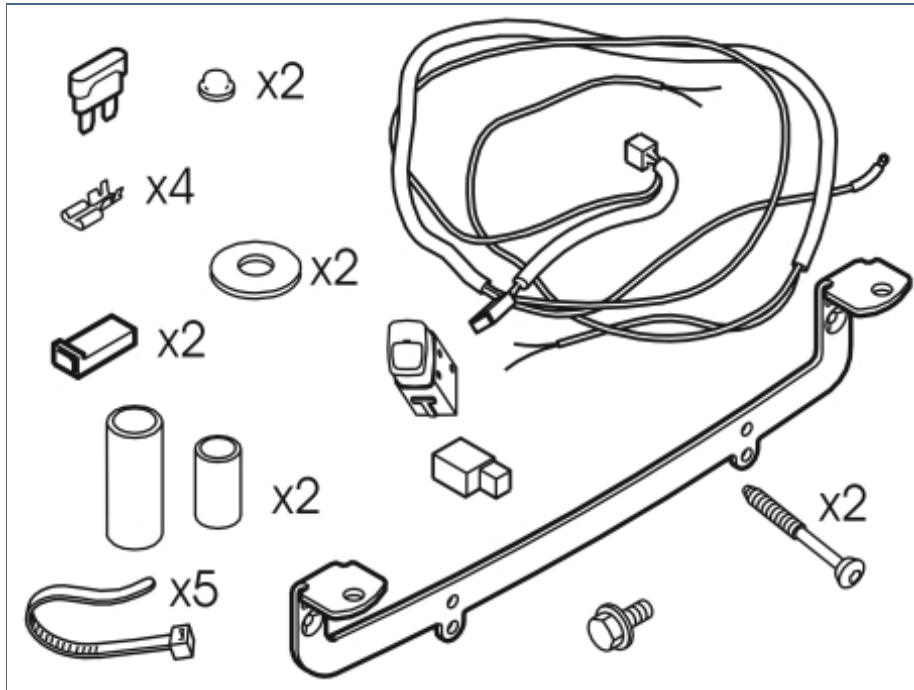


A0000163



8633152

A0000236



R3602761

Any comments on this publication? Please contact your nearest dealer. Thank you!

Publication no: MA 8648269, Issue: 2002-09

Comments:.....

From:.....

Address:.....

Telephone no:.....

Telefax:.....





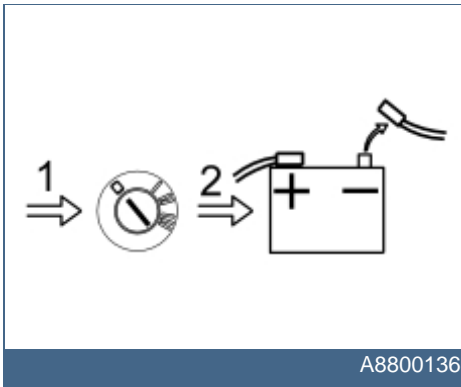
INTRODUCTION

Installation kit for auxiliary lamps

- **NOTE! Read through the entire text before carrying out any work.**
- The front page gives the date of this edition and the edition it replaces
- The second page shows the tools needed for the installation and the contents of the installation kit
- The illustrations display the procedure in order of operation. The order of operation is repeated in the text section
- Cut out the text page in order to follow the illustrations and text at the same time.



1



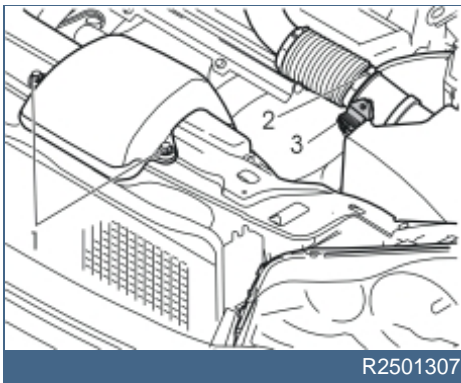
Preparations

- Turn the ignition switch to position 0.
- Disconnect the battery negative lead.

Note!

Wait at least five minutes before disassembling the connectors or removing other electrical equipment.

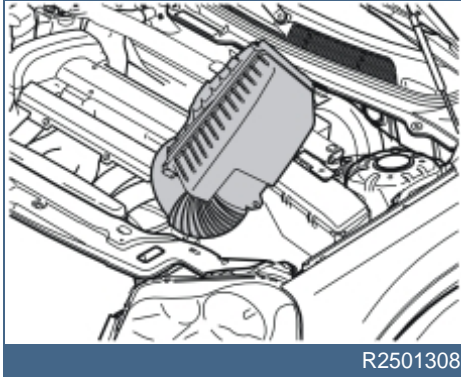
2



Preparations

- Remove the two screws (1) from the intake manifold for the air cleaner (ACL)
- Disconnect the hose clamp (2)
- Remove the connector (3) from the intake manifold for the turbocharger (TC)
- Pull off the air cleaner (ACL) from its mounting in the left-hand front member
- Remove the intake manifold from the air cleaner (ACL). Put it to one side.

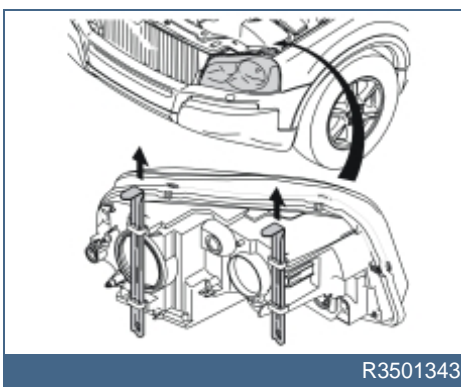
3



Preparations

- Pull up the air cleaner (ACL). Turn the air cleaner (ACL) around in the short hose. Position as illustrated. Depending on the version more than one hose or connector may need to be detached from around the air cleaner (ACL).

4

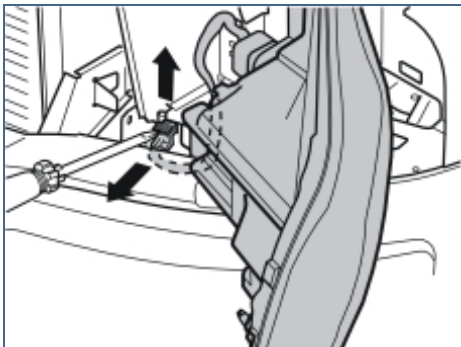


Preparations

- Remove the left-hand headlamp by pulling up the two cotter pins and then carefully pulling the headlamp forwards.



5

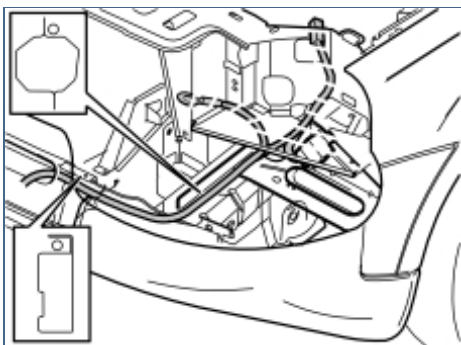


R3501493

Preparations

- Carefully pry up the catch on the headlamp connector using a screwdriver
- Pull up the lock completely. Disconnect the connector. Place the headlamp to one side.

6A



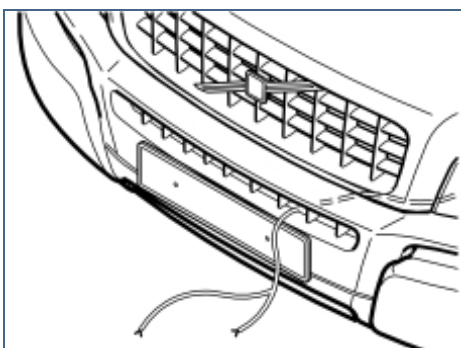
R8600943

Installing the cable harness

Illustration A

- Take the cable harness from the kit. Position the cable harness with the relay and relay holder where the air cleaner (ACL) was positioned
- Now route the ends of the cable harness without the cable terminals along the left-hand side of the panel edge on the left-hand side member.

6B

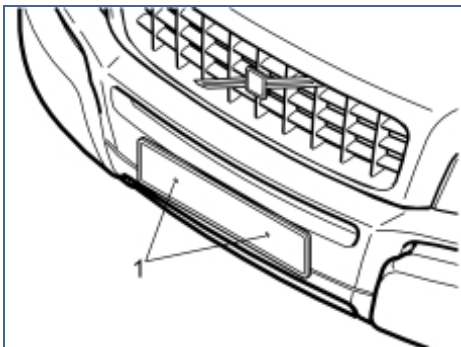


R8600862

Illustration B

- Route the cable harness to the right of the upper side of the bumper rail and out through the third lower gap in the air intake above the number plate holder.

7



R8600863

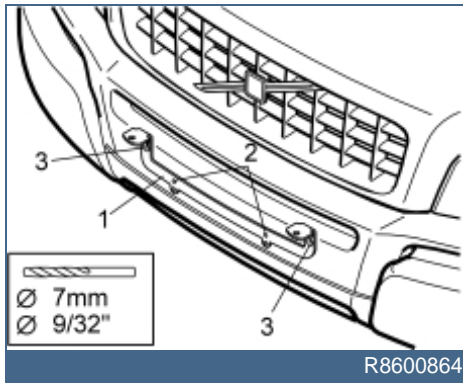
Installing the bracket for the auxiliary lamps

Remove:

- the number plate
- the screws (1) for the number plate holder
- the number plate holder.



8



R8600864

Installing the bracket for the auxiliary lamps

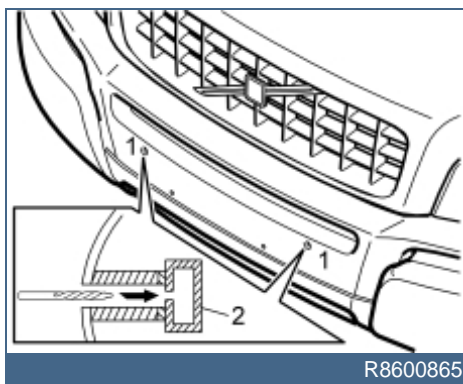
- Secure the auxiliary lamp bracket (1) (from the kit) in the holes for the number plate holder. Use the upper holes (2) in the auxiliary lamp bracket
- Using a **7 mm (9/32")** diameter drill bit, drill the centre of the holes (3). Drill through the bumper cover and the bumper rail which is positioned **39 mm (1 1/2")** inside.

Note!

Hold the drill horizontally.

- Remove the screws and the auxiliary lamp bracket.

9



R8600865

Installing the bracket for the auxiliary lamps

- Drill the holes (1) using a drill bit (P/N 8633152). Drill through the plastic using the thicker section of the drill bit. Drill through the bumper rail (2) using the smaller section of the drill bit, the dimension of which is **7.3 mm (19/64")** diameter.

Note!

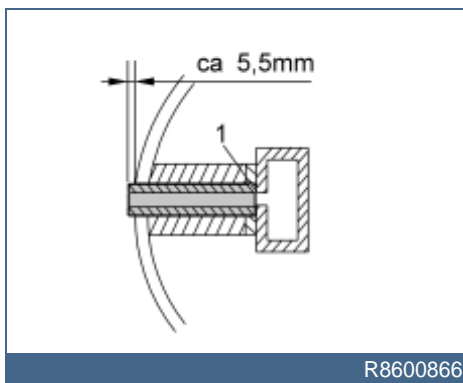
It is important that the tip of the drill bit meets the hole that was previously drilled into the bumper rail.

The flat surface of the drill bit must drill out all the plastic up to the bumper rail.

Note!

Hold the drill horizontally. Using a torch, check that there is no plastic swarf in the holes.

10



R8600866

Installing the bracket for the auxiliary lamps

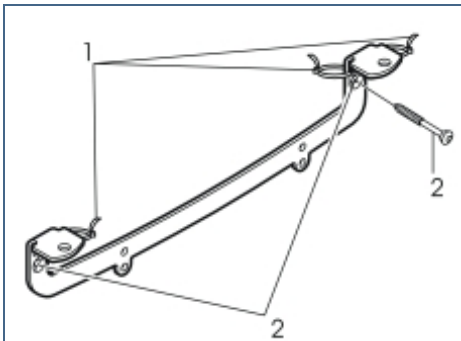
- Check that there is no plastic on the area (1) on which the spacers will rest
- Install two spacer sleeves **L = 44 mm (1 3/4")** in the holes.

Note!

The spacer sleeves must protrude approximately 5.5 mm (7/32") from the bumper cover.



11

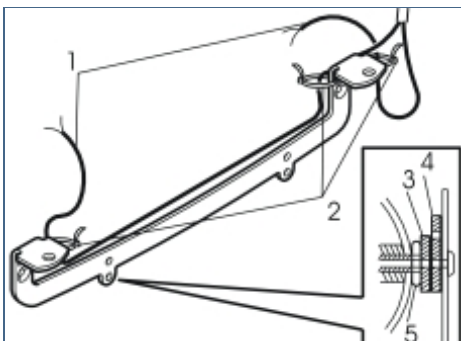


M3501038

Installing the bracket for the auxiliary lamps

- Secure the tie straps (1) in the holes in the auxiliary lamp bracket. Do not tighten
- Install the auxiliary lamp bracket on the bumper using the screws (2) from the kit. Finger tighten. The screws are self-tapping so it may be hard to screw them in.

12

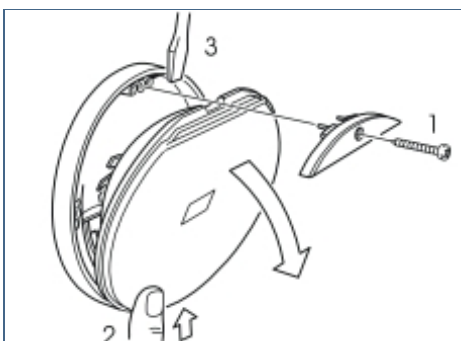


M3501039

Installing the bracket for the auxiliary lamps

- Insert the two cable ends (1) in the three tie straps (2). Route the wiring as illustrated
- Adjust the cable lengths for the lamps. Press any excess cable outside the grille back into the grille
- Tighten the tie straps
- Tighten the two screws for the auxiliary lamp bracket
- Install a spacer washer (3) between the auxiliary lamp bracket (4) and the expander nut (5) on both sides
- Install the number plate. Tighten the number plate with the two screws.

13



A3500379

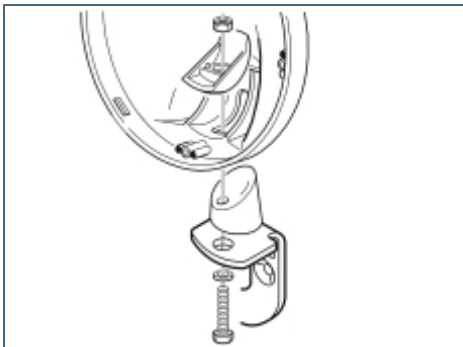
Installing the auxiliary lamps

Use auxiliary lamps recommended by your Volvo dealer.

- Remove the screw (1) and cover
- Press lightly on the lens (2)
- Position a screwdriver (3) between the insert and lamp housing and pry gently.



14

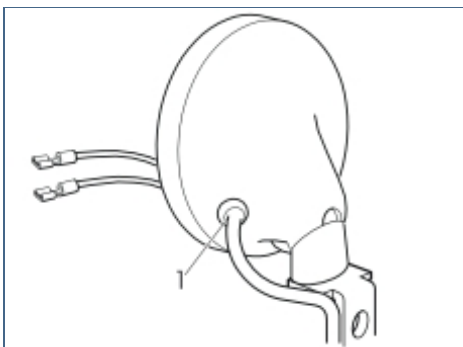


M3501040

Installing the auxiliary lamps

- Install the lamp housing on the auxiliary lamp mounting. Use a screw and nut. Finger tighten.

15

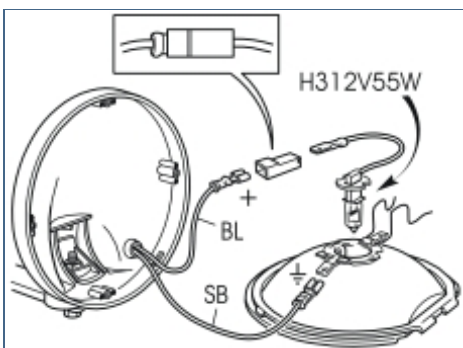


M3501041

Installing the auxiliary lamps

- Route the cable harness with the rubber grommet (1) into the holes in the lamp housing
- Press the rubber grommet into place in the hole
- Install the cable terminals from the kit on the two cable ends.

16

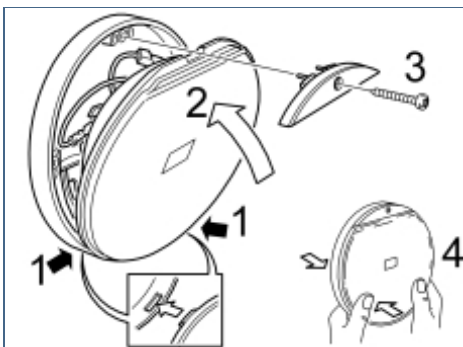


D3500974

Installing the auxiliary lamps

- Connect the blue (BL) cable to the lamp cable via a socket housing
- Connect the black (SB) cable to ground on the lamp insert.

17



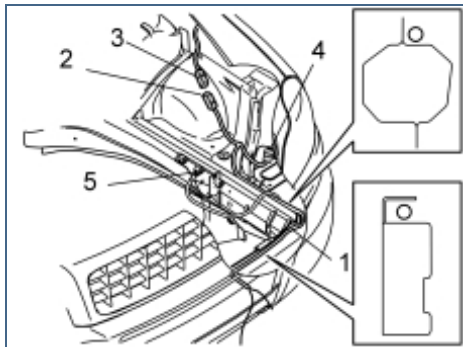
A3500386

Installing the auxiliary lamps

- Assemble the auxiliary lamp as illustrated.



18A



R8600869

Installing the cable harness (continued)

Illustration A

- Route the previously routed cable harness (1) as illustrated.

Illustration B

- Connect the connector (2) to the pre-routed connector (3).

Illustration C

- Press the relay (4) into place at the vertical panel, under the panel on which the headlamp rests. Twist up the relay so that the connector with the cable does not catch the panel underneath. Also see illustration for the location of the relay.

Illustration D

- Remove the existing screw (5) in the air cleaner bracket. Connect the ground lead. Twist the ground lead cable terminal downwards. Position the cable so that it does not catch the air cleaner (ACL) when it is reinstalled. Route any excess cable through the front grille. Secure the cable at existing wiring behind the headlamp using tie straps

- Reinstall the air cleaner (ACL) and intake manifold

- Connect the connector to the headlamp and reinstall it.

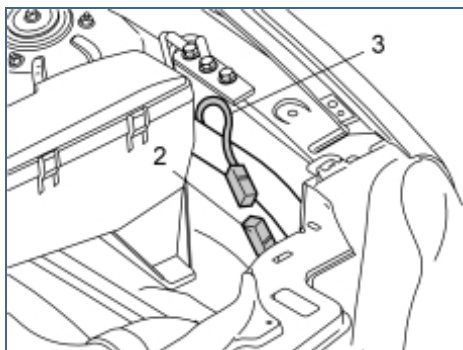
Note!

The longer of the cotter pins must be positioned on the outside of the headlamp.

Caution!

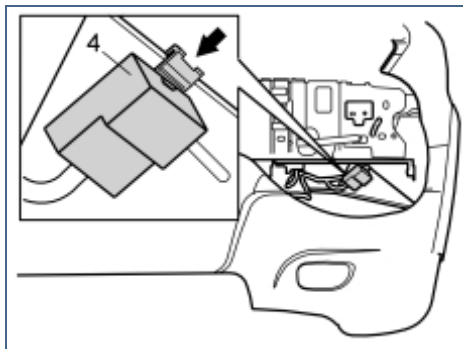
Ensure that the wiring does not rub against sharp edges. If it does, secure the wiring better. Also check that the wiring does not block the drainage hatch for the air cleaner (ACL).

18B



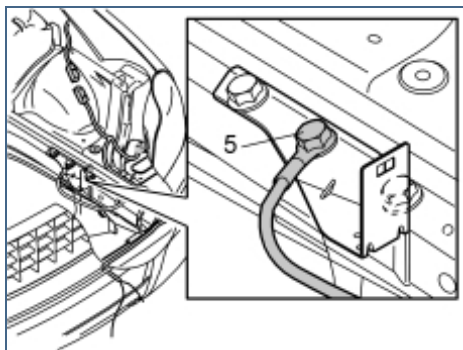
R8600941

18C



R8600958

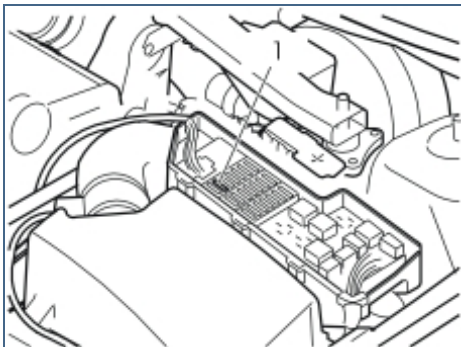
18D



R8600942



19

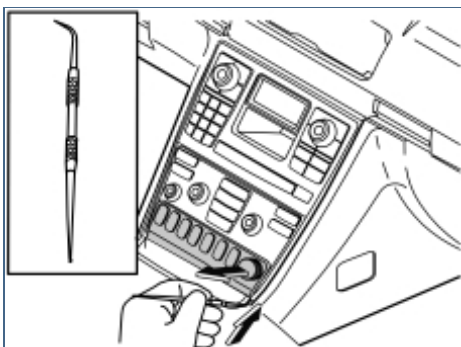


M3702189

Installing the cable harness (continued)

- Remove the cover from the fuse holder in the engine compartment. Install a 20A fuse in position 2 (1)
- Reinstall the cover.

20A



R8504177

Installing the switch

Illustration A

- Remove the blind cover plug from the 12V socket
- Take a scribe with an angled point. Insert the angled end of the scribe in the joint underneath, on one side of the surround for the switch unit.

Illustration B

- Carefully pull out the surround using the scribe. Pull along the underneath of the surround. It is securely positioned with three mounting lugs at the top and lower edges.

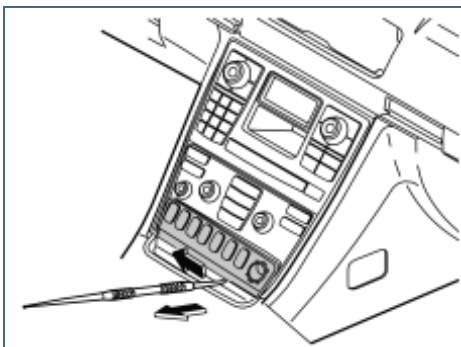
Note!

Do not damage the surround.

- Place the surround to one side.

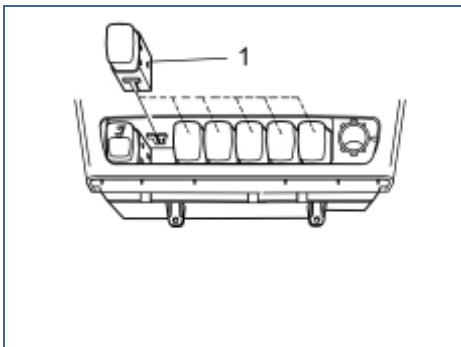
The surround with three button spaces can be replaced with a surround with seven button spaces if necessary. This can be purchased separately.

20B



R8504178

21



D8502226

Installing the switch

- The switch can be installed in any location. Remove the switch blank. Install the new switch (1)
- Reinstall the surround and the blind cover plug for the 12V socket.

22

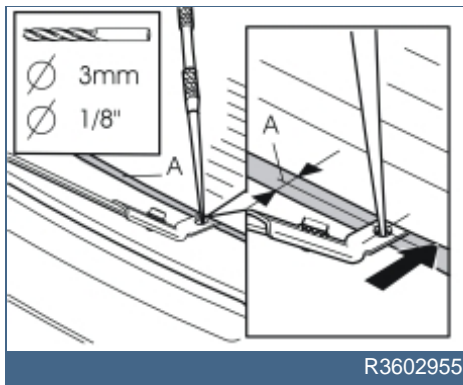
Installing the switch

- Set the auxiliary lamps for optimal light distribution



- Tighten the two screws. See point
- Install protective caps on the screw heads.

23



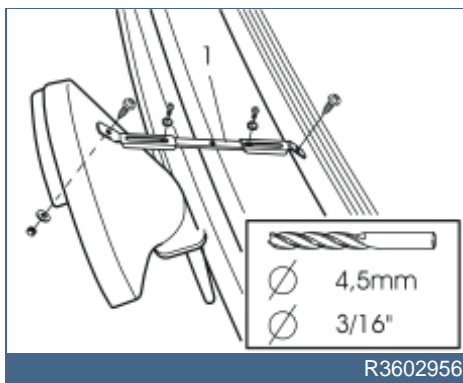
Installing top stays

Note!

If the lamps vibrate excessively, a top stay can be installed according to points 23-27.

- Take the top stay and slide one end in the gap between the two bumper sections. Position in line with the centre of the auxiliary lamp
- Make a mark for drilling a hole through the top stay and in the bumper, in the centre of the black edge (A)
- Drill out the hole. Use a **3 mm (1/8")** diameter drill bit
- Remove any swarf.

24



Installing top stays

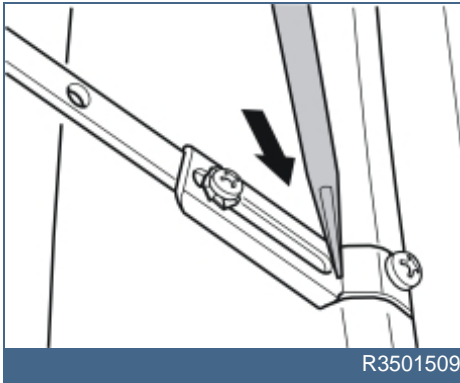
- Make a mark for drilling out the hole through the top stay and in the centre of the top edge/rear edge of the auxiliary lamp
- Drill the hole. Use a **4.5 mm (3/16")** diameter drill bit
- Remove any swarf
- Position the top stay between both drilled holes so that the stay (1) can be cut to the correct length
- Shorten the stay (1) to a suitable length
- Tighten the top stay to the bumper and auxiliary lamps using screws, nuts and toothed plate connectors.

Note!

Do not install a toothed plate connector on the screw for the bumper. There is a risk that the screw would rub against the paint on the bonnet.



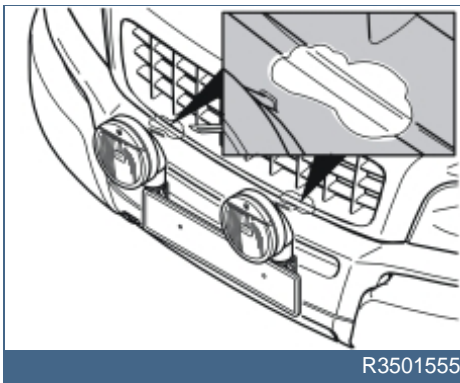
25



Installing top stays

- Bend the top stay down to the bumper using a screwdriver. This is to prevent the lower edge of the bonnet catching when closing.

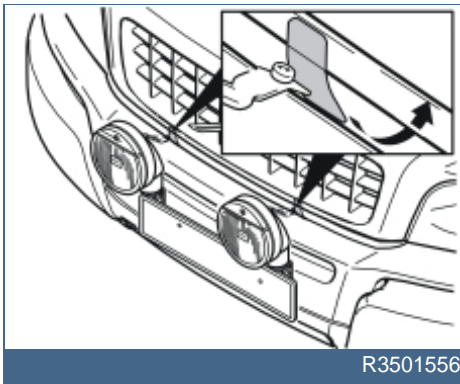
26



Installing top stays

- Clean the painted surfaces at the front and lower edges of the bonnet, opposite the points where the top stays are secured in the bumper. Use a mixture of 30% windscreen washer fluid and 70% water
- Wipe dry.

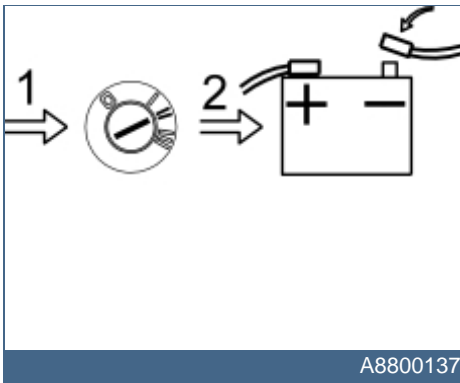
27



Installing top stays

- Press the masking tape firmly into place at the front and lower edges of the bonnet, opposite the points where the top stays are mounted in the bumper.

28



Installing top stays

- Turn the ignition key to position II
- Reconnect the battery negative lead.