

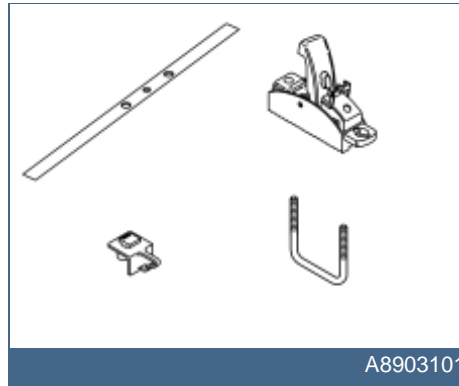


	Section	Group	Weight (Kg/Pounds)	Year	Month
S80 (-06) / V70 XC (01-) / XC70 (-07) / S60 / V70 (00-08) / XC90	8	89		2002	07

S60 2001, S60 2002, S60 2003, S60 2004, S80 (-06) 1999, S80 (-06) 2000, S80 (-06) 2001, S80 (-06) 2002, S80 (-06) 2003, S80 (-06) 2004, V70 (00-08) 2000, V70 (00-08) 2001, V70 (00-08) 2002, V70 (00-08) 2003, V70 (00-08) 2004, V70 XC (01-) / XC70 (-07) 2001, V70 XC (01-) / XC70 (-07) 2002, V70 XC (01-) / XC70 (-07) 2003, V70 XC (01-) / XC70 (-07) 2004, XC90 2003, XC90 2004



Required tools



Any comments on this publication? Please contact your nearest dealer. Thank you!

Publication no: MA 8698558, Issue: 2002-07
Comments:.....
From:.....
Address:.....
Telephone no:.....
Telefax:.....



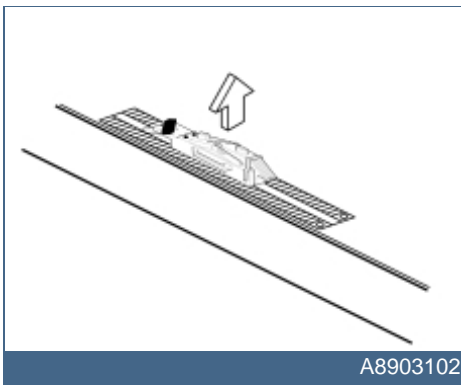
INTRODUCTION

Installation kit space box

- **NOTE! Read through the entire text before carrying out any work.**
- The front page gives the date of this edition and the edition it replaces
- The second page shows the tools needed for the installation and the contents of the installation kit
- The illustrations display the procedure in order of operation. The order of operation is repeated in the text section
- Cut out the text page in order to follow the illustrations and text at the same time.



1



- Remove the old mountings. Remove by tugging straight up. Put to one side.

2A

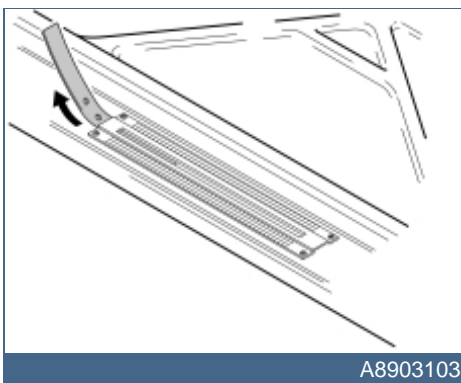


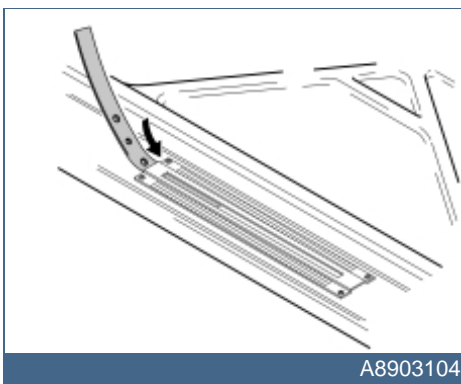
Illustration A

- Pull out the old cover strip from the groove. Put to one side.

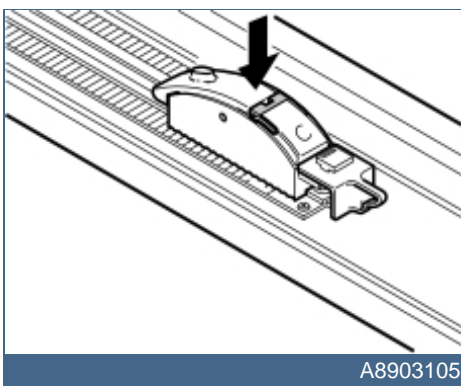
Illustration B

- Take the new cover strip from the kit. Install the cover strip in the groove.

2B



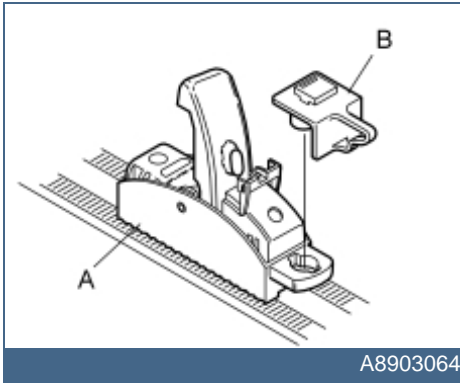
3



- Take the quick release mounting from the kit. Press the quick-release mounting into the hole in the cover strip. Ensure that the hooks grip correctly
- When installing several quick-release mountings: turn all the quick-release mountings in the same directions.



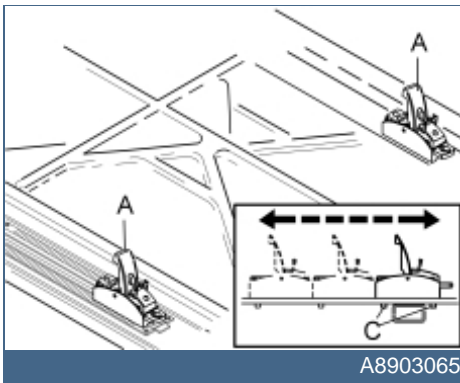
4



A8903064

- Take a clip (B) from the kit and press them into place in the quick-release mounting (A). Ensure that the hooks grip correctly.

5



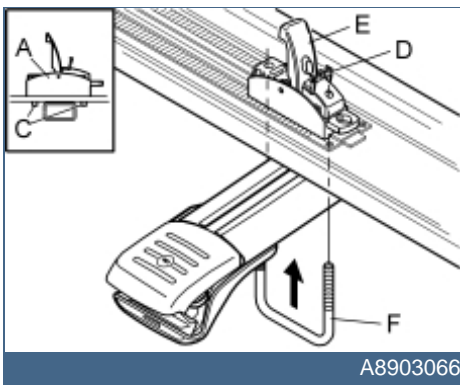
A8903065

Securing the space box on the load carriers

The space box is secured to the load carriers using the new U brackets from the kit.

- Move the quick-release mounting (A) in the bottom of the space box so that the two pins (C) are on either side of the load carriers.

6

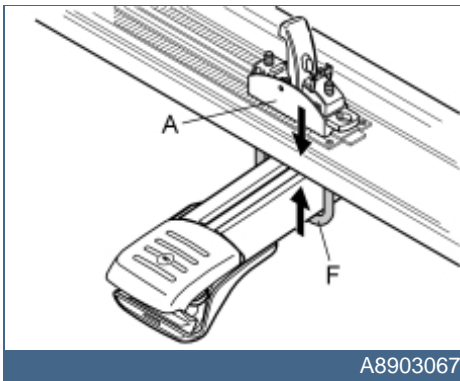


A8903066

Securing the space box on the load carriers

- Fold up the red safety catches (D)
- Fold the lock handle (E) to the vertical position
- Insert a U bracket (F) upwards through the lugs (C) on the quick-release mounting (A).

7



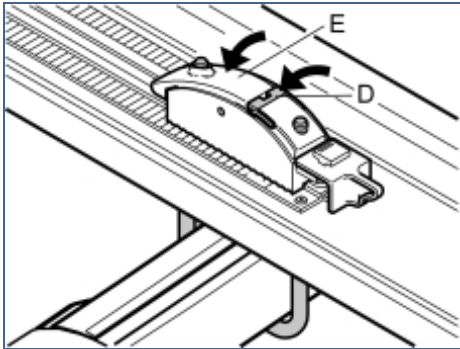
A8903067

Securing the space box on the load carriers

- Press the quick-release mounting (A) downwards towards the bottom of the space box. At the same time press the U bracket (F) upwards until it is against the underneath of the load carrier.



8



A8903068

Securing the space box on the load carriers

- Fold the lock handle (E) down to the horizontal position. This requires a force of approximately 50 N, there should be considerable tension. If this is not the case the U-bracket installation must be repeated
- Fold the safety catch (D) over the lock handle until it snaps into place. If this cannot be done, check that the lock handle has snapped shut in the final position.

Note!

Check that the box is securely fixed to the load carrier at regular intervals.