

Installation instructions, accessories - Integral antenna

Volvo Car Corporation Göteborg, Sweden



XC90

Section	Group	Weight(Kg/Pounds)	Year	Month
3	39		2001	12

Installation instructions, accessories - Integral antenna

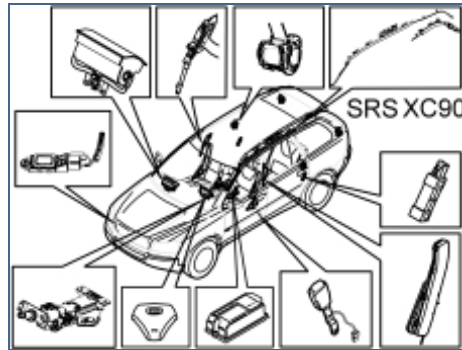
Volvo Car Corporation Göteborg, Sweden



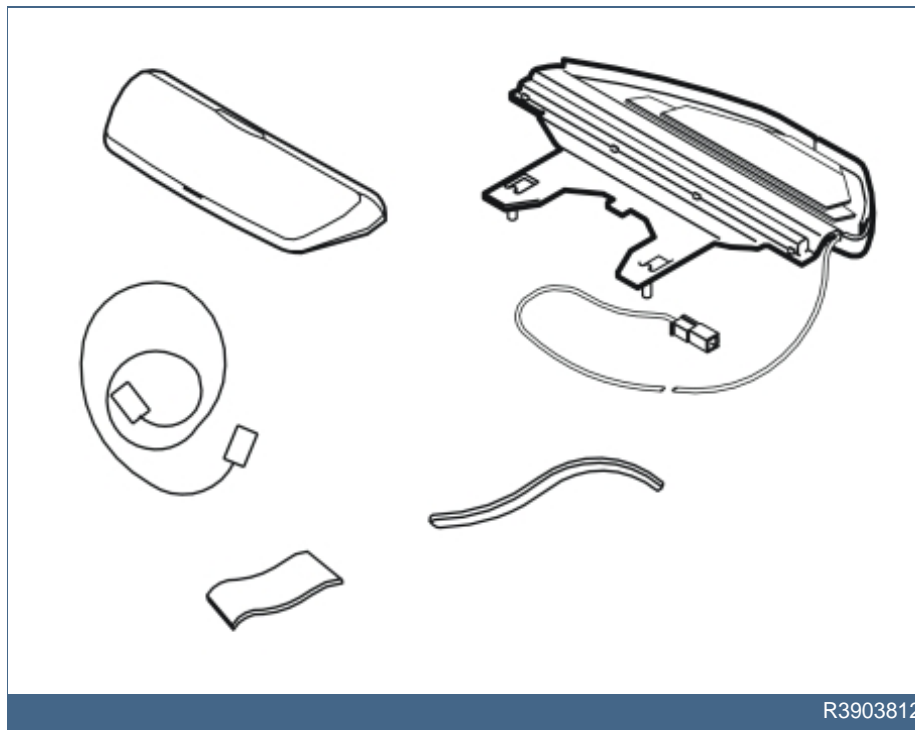
Required tools



A0000162



R8802817



R3903812



Any comments on this publication? Please contact your nearest dealer. Thank you!

Publication no: MA 8682158, Issue: 2001-12
Comments:.....
From:.....
Address:.....
Telephone no:.....
Telefax:.....



INTRODUCTION

- **NOTE! Read through the entire text before carrying out any work.**
- The front page gives the date of this edition and the edition it replaces
- The second page shows the tools needed for the installation and the contents of the installation kit
- The illustrations display the procedure in order of operation. The order of operation is repeated in the text section
- Cut out the text page in order to follow the illustrations and text at the same time.

Cars equipped with SRS/SIPS (Airbag)

Warning!

Extra care must be taken when working on cars equipped with SRS/SIPS air bags. This is important to prevent:

1. Personal injury
2. Damage to or malfunction of the SRS/SIPS system.

Work on the SRS/SIPS systems or related components must always be carried out by an authorised Volvo workshop.

Is the car equipped with SRS (supplemental restraint system)?

Cars equipped with a driver's airbag have the letters "SRS" imprinted on the centre panel of the steering wheel. Cars equipped with driver's and passenger airbags are marked with "SRS" on both the steering wheel centre panel and also on the dashboard close to the airbag.

If the car is equipped with SIPS (side impact protection system) a "SIPS" decal is marked on both the front seats.

Cars equipped with inflatable curtains have the marking "SRS" on one of the panels along the posts on the inside of the car.

Cars equipped with SRS (supplemental restraint system) also have a "SRS" decal on the front windscreen.

Do not damage the SRS wiring!

Do not trap, fray, pierce or damage the SRS wiring. SRS wiring has orange casing and/or is plaited.

Steering and front suspension

The contact reel in the SRS system can easily be damaged when working on the steering wheel, steering shaft or steering gear. Refer to the SRS (supplemental restraint system) Service Manual or service instructions in VIDA for information on carrying out such work. This is to prevent damage.

SRS warning lamp

If the SRS warning lamp lights after repairs have been carried out, take the car to an authorised Volvo workshop.

SRS collision sensor control module

S60 / V70 (00-) / S80 / XC90

The collision sensor control module is located on the transmission tunnel



in the centre console, in front of the parking brake.

WARNING!

The air bag inflation areas must not be obstructed. Never place any objects, such as upholstery or accessories, within these areas. The panels must be able to deploy in the correct manner at the right time otherwise there is a risk of personal injury in the event of a collision.

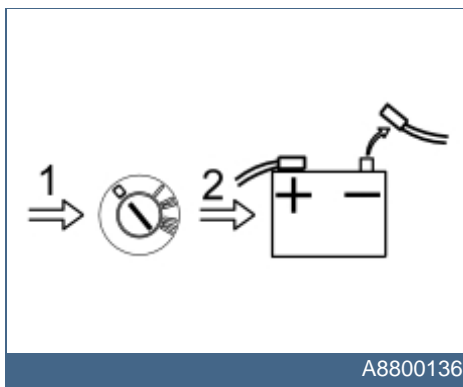
WARNING!

The ignition must be in position "0" and the key removed from the ignition if any connector in the SRS system is to be disassembled. Then wait at least one minute. Then disconnect the battery negative lead before disassembling any of the connectors. When work is completed the ignition key must be turned to position "II" before reconnecting the battery negative lead.

Integral antenna



1



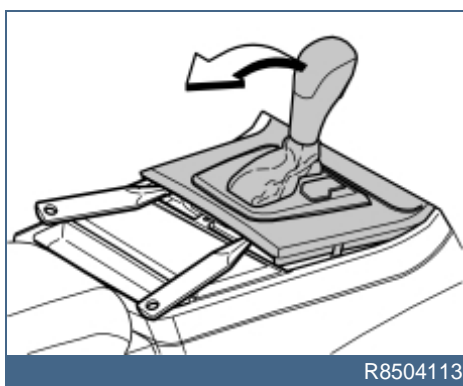
Preparations

- Position the driver's seat in the rearmost position
- Turn the ignition key to position 0
- Disconnect the battery negative lead.

Note!

Wait at least five minutes before disassembling the connectors or removing other electrical equipment.

2



Preparations

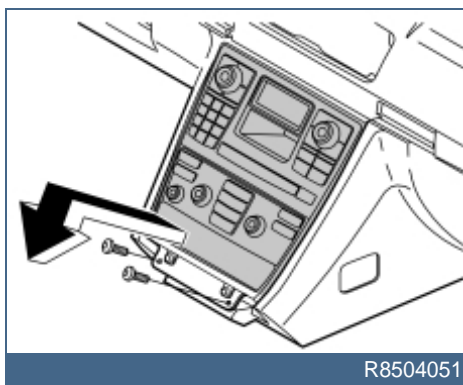
Applies to cars with automatic transmissions

- Turn the ignition key to position II.

Applies to all models

- Move the gear selector lever to its rearmost position
- Carefully pry off the gear selector lever panel at the lower edge using a weatherstrip tool. Pull the panel backwards to access the screws for the dashboard environment panel.

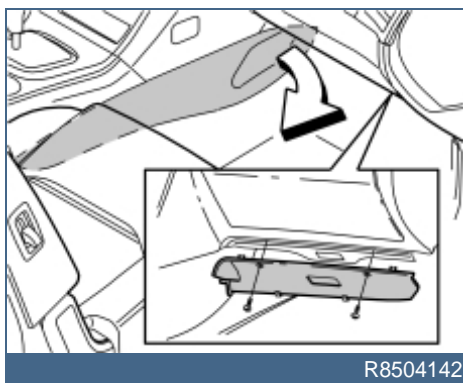
3



Preparations

- Remove the screws holding the bracket for the dashboard environment panel and the control module
- Pull out the bracket at the lower edge. Pull downwards from the top edge of the centre console
- Disconnect the connectors from the dashboard environment panel and control module. Disconnect the connectors for the Mini disc player and/or CD-player/changer if applicable.

4

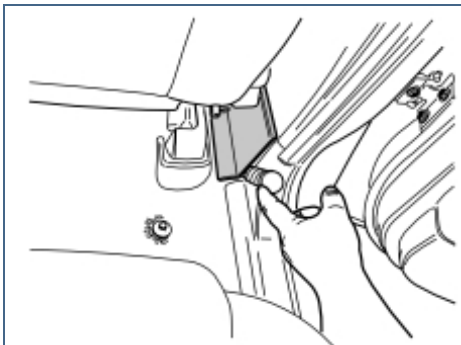


Preparations

- Remove the centre console right-hand side panel. Pull off the panel starting at the front edge. Then pull backwards until all the clips release
- Remove the right-hand side soundproofing panel. First remove the two screws. Then pry off the panel at the top edge.



5

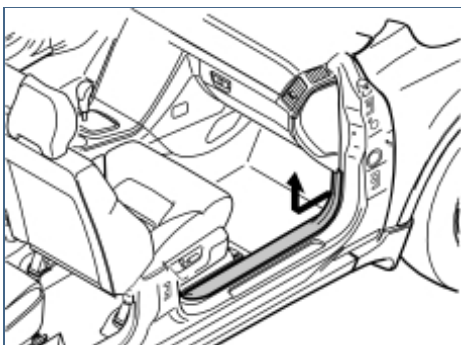


R8504169

Preparations

- Carefully pry off the panel above the joint between the right-hand door sills, at the lower edge using a weatherstrip tool.

6

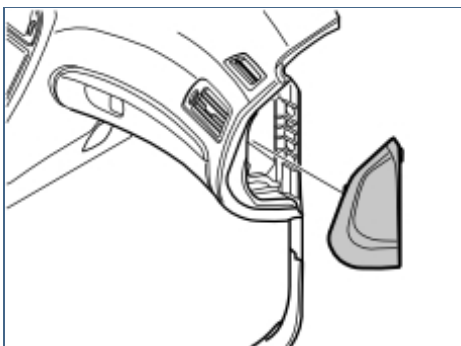


R8504170

Preparations

- Remove the sill trim panel for the right-hand front door. Pull off the panel starting at the front edge until the clip releases. Continue backwards until the remaining clips have released
- Unhook the sill trim panel from the B-post panel and the panel at the lower edge of the B-post panel.

7

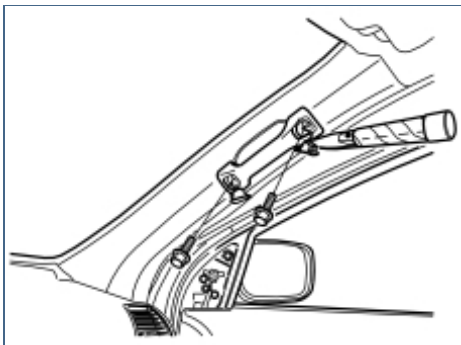


M8502816

Preparations

- Remove the panel on the right end of the dashboard.

8



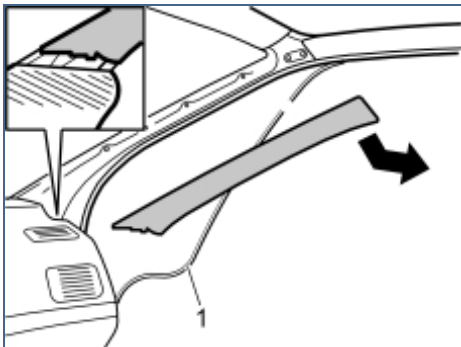
R8504175

Preparations

- Pry off the cover on the grab handle in the right-hand front door. Remove the screws.



9



R8504163

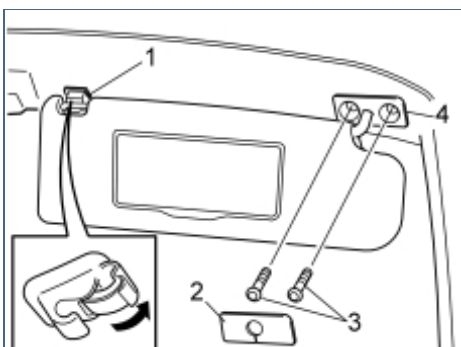
Preparations

- Remove the rubber strip (1) at the front edge of the right-hand front door
- Remove the right-hand A-post panel by carefully pulling the top edge of the panel outwards until the clip on the inside releases. Pull up from the mounting in the dashboard.

Note!

Do not damage the headlining.

10



R8504176

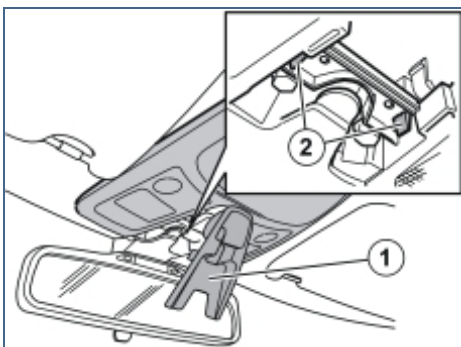
Preparations

- Remove the sun visor from the inner mounting (1) on the right-hand side
- Carefully pry the cover (2) off. Remove the two screws (3) for the sun visor mounting
- To remove the headlining: Remove the inner mounting (1) by prying up as illustrated. Then carefully pull the mounting (secured by four catches) from the roof.

Note!

Do not damage the headlining.

11

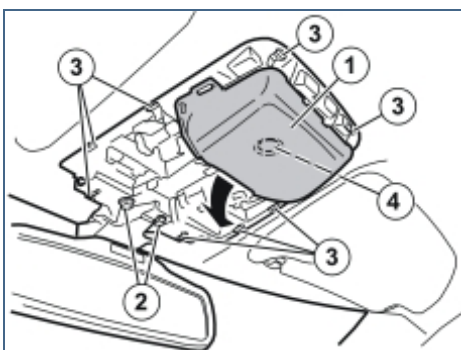


R3501441

Preparations

- Fold down the cover (1) by carefully pulling down the front edge of the cover
- Squeeze the catches (2). Pull the front edge of the panel downwards. Then pull the rear edge off.

12



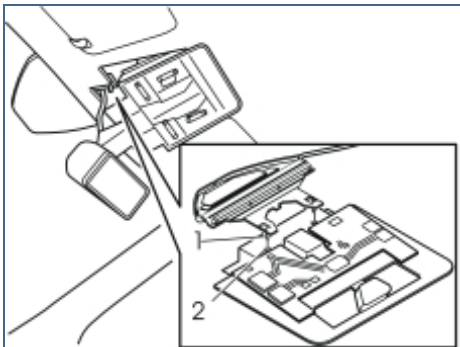
R3501449

Preparations

- Remove the rear view mirror and the front interior lighting (1). First remove the two screws (2) and then press in the eight catches (3) around the interior lighting
- Carefully pull the components downwards and allow them to hang by their wiring. (The interior lighting is secured to the roof using the clip (4).)



13

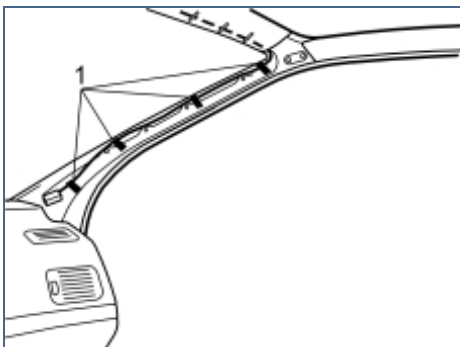


D3902236

Installing the integral antenna

- Install the new antenna. Carefully bend the headlining downward and slide the antenna backward and inwards. Align the antenna lugs (1) with the grooves in the bracket (2)
- Insert the cable at the inside of the front edge of the headlining. Route the cable out towards the right-hand A-post
- Secure the cable using butyl tape
- Reinstall the bracket and rear view mirror. Tighten the screws. Tighten to **10 Nm (7.5 lbf. ft)**
- Reinstall the panel. Securely lock the panel using the cover.

14



R8504164

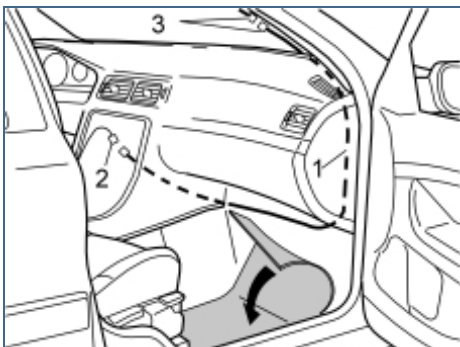
Cable routing and connection

- Route the cable down from the headlining along the right A-post
- Tape the cable onto the existing cable harness as illustrated (1).

Warning!

Ensure that the cable is not routed over the inflatable curtain. This could compromise the function of the inflatable curtain in the event of an accident.

15



M8503790

Cable routing and connection

- Push the carpet to one side by the right-hand front seat
- Take the extension cable (1) from the kit. Route the cable between the A-post and the right-hand side of the dashboard, continue along the right-hand end to the front edge of the floor
- Route the cable to the left along the front edge of the floor and up to the inside of the centre console
- Connect the cable (1) to the corresponding cable (2) from the hands free box
- Connect both connectors (3) at the right A-post to each other
- Wrap the foam tape around the connectors to prevent rattling.

16

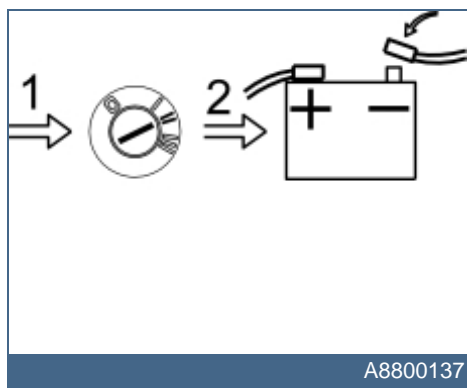
Cable routing and connection

- Reinstall the A post panel. Tighten the grab handle. Tighten to **10 Nm (7.5 lbf. ft)**. Reinstall the cover
- Reinstall the rubber strip in the right-hand front door



- Reinstall the panel on the end of the dashboard
- Reinstall the sun visor. Tighten the screws. Tighten to **10 Nm (7.5 lbf. ft)**. Reinstall the cover and the inner mounting
- Fold the carpet on the right-hand side back into place
- Reinstall the panel on the door trim for the right-hand front door. Press the B-post lower panel into place
- Reinstall the soundproofing panel on the right-hand side
- Reinstall the right-hand side panel for the centre console
- Connect the connectors to the dashboard environment panel. If applicable connect the CD player and/or Mini disc player connectors
- Position the bracket. Tighten the bracket using the two screws. Reinstall the gear selector lever panel.

17



Cable routing and connection

- Turn the ignition key to position II
- Reconnect the battery negative lead.