



V70 XC (01-) / XC70 (-07) / S60 / S80 (-06) /
XC90 / V70 (00-08) / S80 (07-) / XC70 (08-) / V70
(08-)

Section	Group	Weight (Kg/Pounds)	Year	Month
8	89		2005	12

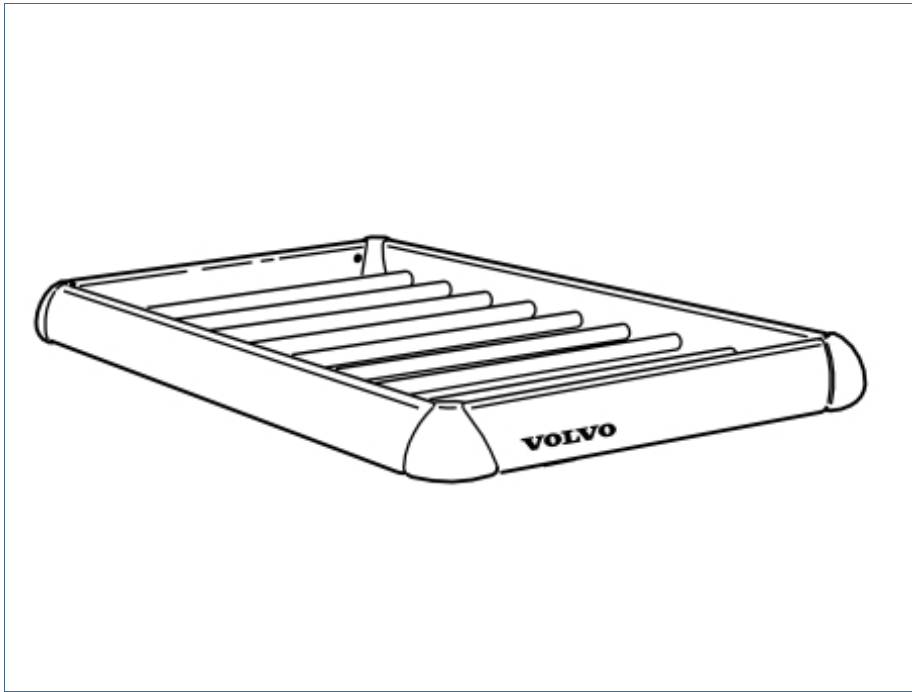
S60 2001 Volvo Cars North America, S60 2002 Volvo Cars North America, S60 2003 Volvo Cars North America, S60 2004 Volvo Cars North America, S60 2005 Volvo Cars North America, S60 2006 Volvo Cars North America, S60 2007 Volvo Cars North America, S60 2008 Volvo Cars North America, S80 (-06) 2000 Volvo Cars North America, S80 (-06) 2001 Volvo Cars North America, S80 (-06) 2002 Volvo Cars North America, S80 (-06) 2003 Volvo Cars North America, S80 (-06) 2004 Volvo Cars North America, S80 (-06) 2005 Volvo Cars North America, S80 (-06) 2006 Volvo Cars North America, S80 (07-) 2007 Volvo Cars North America, S80 (07-) 2008 Volvo Cars North America, V70 (00-08) 2001 Volvo Cars North America, V70 (00-08) 2002 Volvo Cars North America, V70 (00-08) 2003 Volvo Cars North America, V70 (00-08) 2004 Volvo Cars North America, V70 (00-08) 2005 Volvo Cars North America, V70 (00-08) 2006 Volvo Cars North America, V70 (00-08) 2007 Volvo Cars North America, V70 (08-) 2008 Volvo Cars North America, V70 XC (01-) / XC70 (-07) 2001 Volvo Cars North America, V70 XC (01-) / XC70 (-07) 2002 Volvo Cars North America, V70 XC (01-) / XC70 (-07) 2003 Volvo Cars North America, V70 XC (01-) / XC70 (-07) 2004 Volvo Cars North America, V70 XC (01-) / XC70 (-07) 2005 Volvo Cars North America, V70 XC (01-) / XC70 (-07) 2006 Volvo Cars North America, V70 XC (01-) / XC70 (-07) 2007 Volvo Cars North America, XC70 (08-) 2008 Volvo Cars North America, XC90 2003 Volvo Cars North America, XC90 2004 Volvo Cars North America, XC90 2005 Volvo Cars North America, XC90 2006 Volvo Cars North America, XC90 2007 Volvo Cars North America, XC90 2008 Volvo Cars North America



IMG-238002



Required tools



R8902929

Any comments on this publication? Please contact your nearest retailer. Thank You!

Publ.no:	Issue:	Kit no:
Comments:.....		
.....		
.....		
.....		

From:	
Address:	
Telephone:	
Telefax:	

IMG-213320



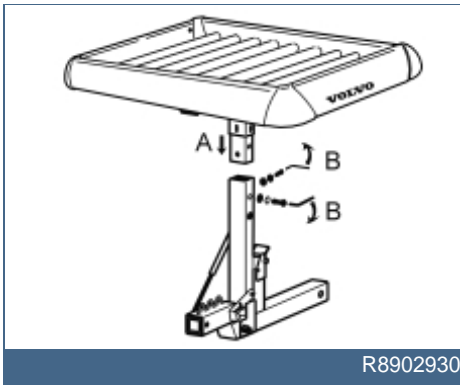
INTRODUCTION

Load basket, hitch

- **NOTE! Read through the entire text before carrying out any work.**
- The front page gives the date of this edition and the edition it replaces
- The second page shows the tools needed for the installation and the contents of the installation kit
- The illustrations display the procedure in order of operation. The order of operation is repeated in the text section
- Cut out the text page in order to follow the illustrations and text at the same time.



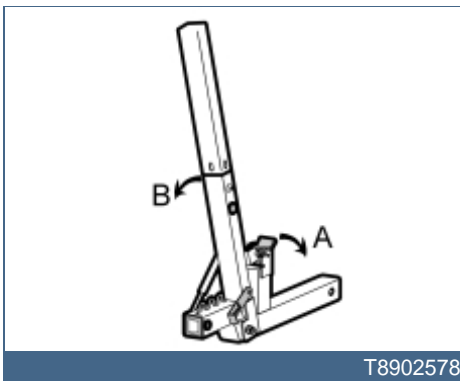
1



Installing the load basket

- Install the load basket in the base unit's square pipe.
- Tighten in the load basket using the two screws, the spring washers and the flat washers.

2



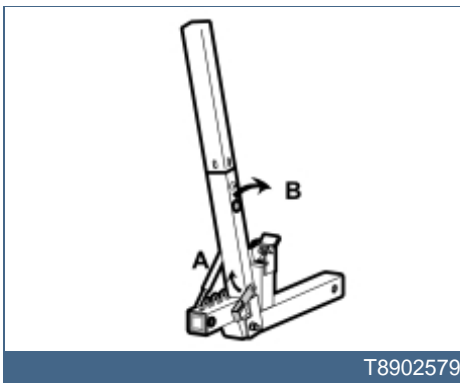
Tilting the load basket

- Press catch (A) down to tilt the load basket.
- Lower the load basket (B) until the stop catch engages.

Note!

If the load is not secured firmly then it may fall out during tilting.

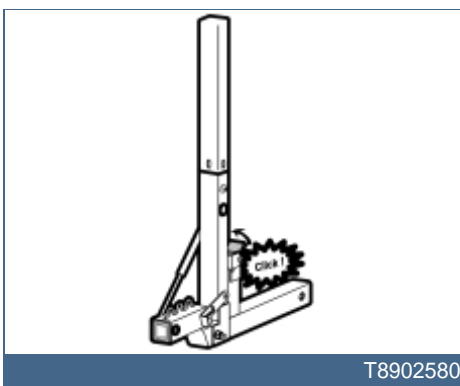
3A



Untilting the load basket

- Lift up the stop catch (A) and fold back the load basket (B).
- Fold back the load basket until two clear clicks can be heard and the catch rises.

3B



4

Safety checks before a journey

Caution!



Make sure that all screws, nuts and tensioning straps are firmly tightened before setting off. Check them at regular intervals.

Damaged tensioning straps must be replaced with new ones.

The base unit/load basket must not be used as an attachment point for towing.

The base unit/load basket must not be used when driving over terrain.

Note!

If the car's number plate is obscured by a loaded base unit there is an extra number plate holder with lighting that is available as an accessory. This should then be used.

Caution!

Do not allow the load to shift outside of the load basket.

Do not load more onto the base unit than what is specified on the original towbar's type plate (MAX TONGUE WEIGHT).

Remember that the car's centre of gravity, and accordingly its driving characteristics, can be changed by the load.

The base unit and associated loading systems must not be used for carrying animals or people.