

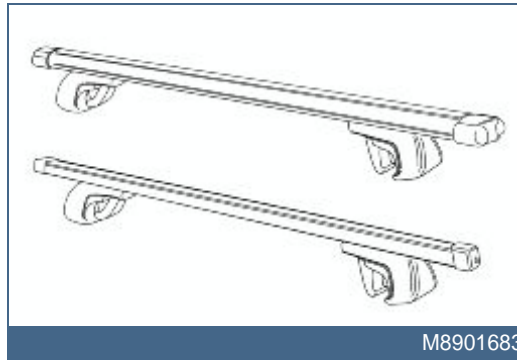


## V70 (00-08) / XC90 / V50

Section	Group	Weight(Kg/Pounds)	Year	Month
8	89		2003	09

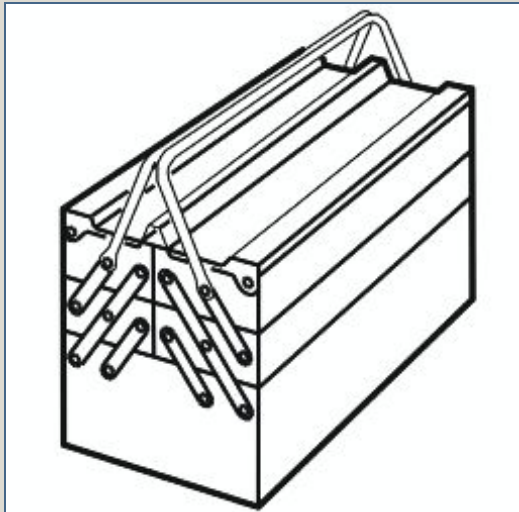
V50 2004, V50 2005, V50 2006, V50 2007, V50 2008, V50 2009, V50 2010, V70 (00-08) 2000, V70 (00-08) 2001, V70 (00-08) 2002, V70 (00-08) 2003, V70 (00-08) 2004, V70 (00-08) 2005, V70 (00-08) 2006, V70 (00-08) 2007, V70 (00-08) 2008, XC90 2003, XC90 2004, XC90 2005, XC90 2006, XC90 2007, XC90 2008, XC90 2009, XC90 2010

Replaces  
issue: 2001 11

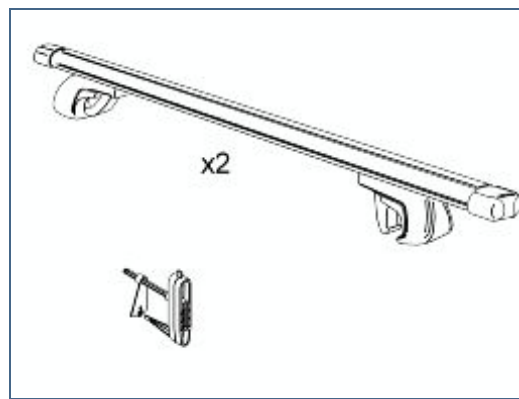




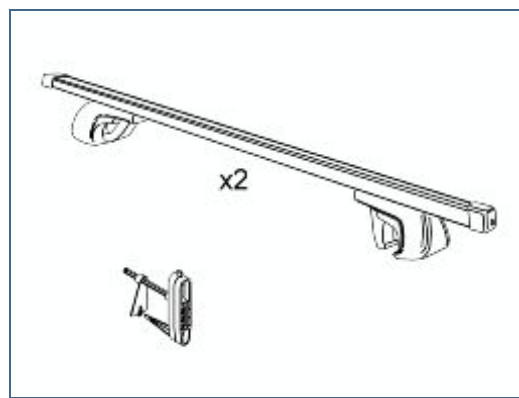
## Required tools



A0000162



M8902358



M8902357



Any comments on this publication? Please contact your nearest dealer. Thank you!

Publication no: MA 9172589, Issue: 2003-09
Comments:..... ..... ..... ..... ..... ..... .....
From:.....
Address:.....
Telephone no:.....
Telefax:.....



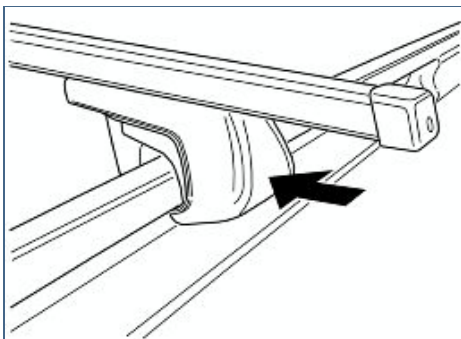
## INTRODUCTION

## Load carriers for rails

- **NOTE! Read through the whole installation instruction before starting the work.**
- The front page gives the date of this edition and the edition it replaces
- The second page shows the tools needed for the installation and the contents of the installation kit
- The illustrations display the procedure in order of operation. The order of operation is repeated in the text section
- Cut out the text page in order to follow the illustrations and text at the same time.



1A

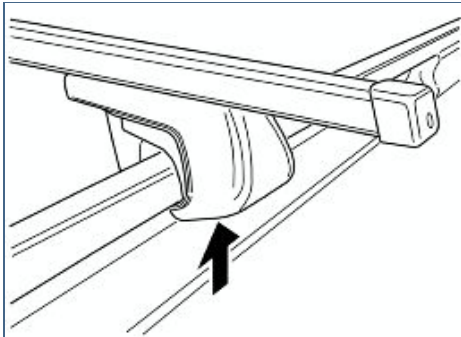


M8901685

## Applies to both types of load carrier

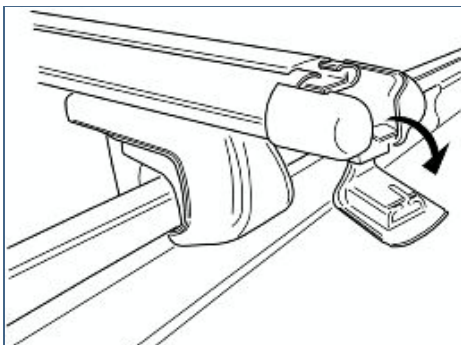
- Position the load carrier on the rails on the car. Ensure that the load carrier is symmetrical (positioned so that the ends protrude the same distance from the mountings on both sides)
- Adjust the position of the load carrier before mounting. Press the mountings inwards and upwards as illustrated.

1B



M8901723

2A



M8901687

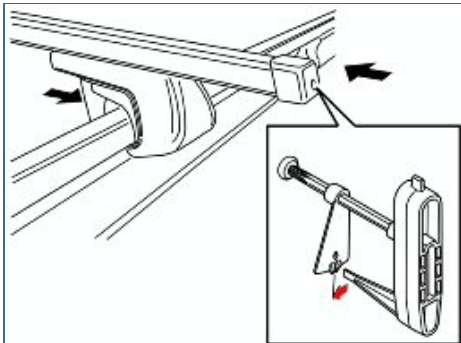
## Illustration A applies to load carriers with T-grooves

- Open the cover on the end of the load carrier to access the screw.

## Illustration B applies to both types of load carrier

- Insert a torque wrench in the end of the load carrier. Tighten until the mountings encircle the rails
- Repeat the operation on the other mountings.

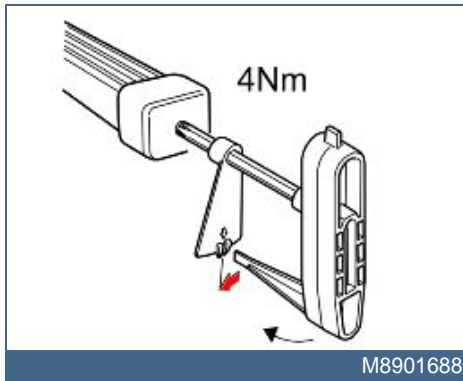
2B



M8901686



3



## Applies to both types of load carrier

- Tighten the screws in the ends of the load carriers until the indicator on the wrench handle is in between the two markings. The correct torque of **4 Nm (3 lbf.ft.)** has then been reached.

4

## Applies to load carriers with T-grooves

- Fold the cover back into place on the end.

5

### Note! Important

Regularly check that the load carriers are properly secured

The maximum roof load is 100 kg

Distribute the load evenly over the load carriers. Do not load at an angle!

Position the heaviest load at the bottom

Remove the load carriers when not in use. This reduces air resistance which improves fuel consumption and reduces wind noise

Handling is affected by the actual load and its position. The centre of gravity of the car changes when driving with a load, which affects the handling of the car. Adjust speed accordingly. For further information refer to the manual.