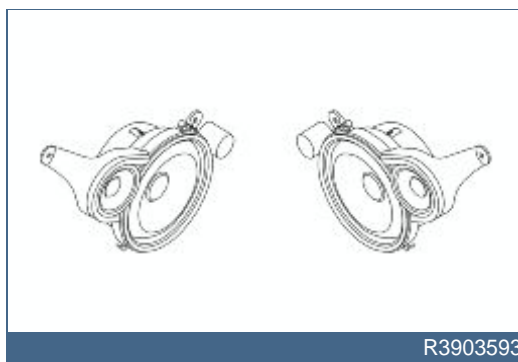




XC90

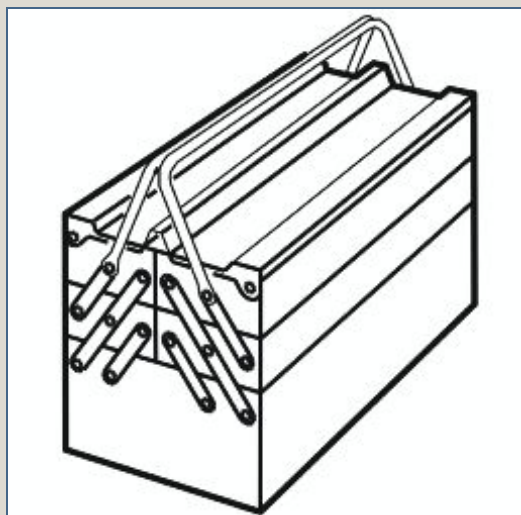
Section	Group	Weight(Kg/Pounds)	Year	Month
3	39		2001	11

XC90 2003, XC90 2004, XC90 2005, XC90 2006, XC90 2007, XC90 2008, XC90 2009, XC90 2010

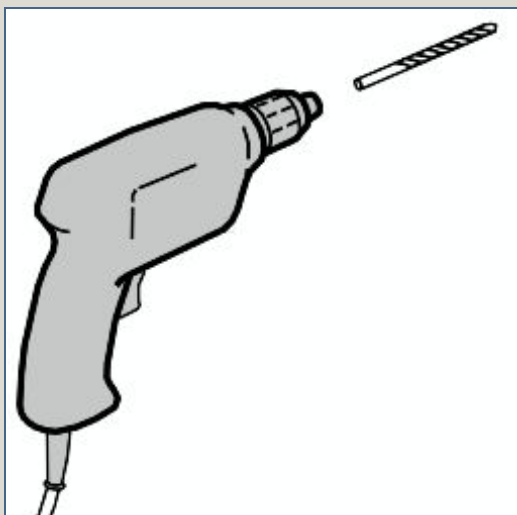




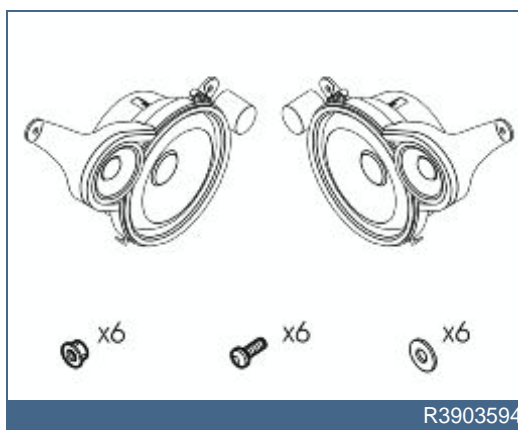
Required tools



A0000162



A0000163



R3903594



Any comments on this publication? Please contact your nearest dealer. Thank you!

Publication no: MA 9162273, Issue: 2001-11
Comments:.....
From:.....
Address:.....
Telephone no:.....
Telefax:.....



INTRODUCTION

- **NOTE! Read through the whole installation instruction before starting the work.**
- The front page gives the date of this edition and the edition it replaces
- The second page shows the tools needed for the installation and the contents of the installation kit
- The illustrations display the procedure in order of operation. The order of operation is repeated in the text section
- Cut out the text page in order to follow the illustrations and text at the same time.

Front door, loudspeakers

Note!

If loudspeakers without mid-range are to be mounted ignore point 4 onwards. Use the same mounting hole as for the existing loudspeaker.



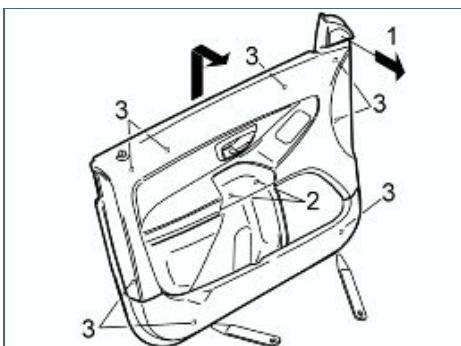
1



R8504079

- Remove the panel on the door handle. First insert a small screwdriver in the hole (1) in the lower section of the panel and press the catch on the inside at the same time as pulling the top edge of the panel upwards. If necessary use a plastic weatherstrip tool to pry up the top edge of the cover.

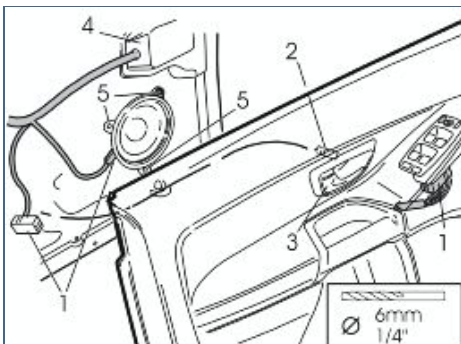
2



R8504021

- Remove the treble loudspeaker (1) in the door panel. Pry it loose using a weatherstrip tool
- Remove the two screws (2) from under the panel
- Carefully pry off the door panel using the weatherstrip tool. Start at the lower edge and pry opposite the clips (3).

3

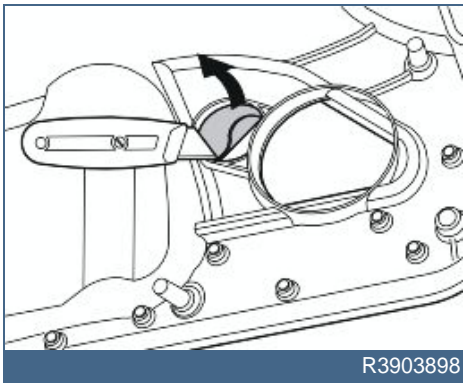


R3903595

- Disconnect the connectors (1) from the door control module and from the existing loudspeaker
- Remove the wire (2) from the door opener handle (3). First bend up the catches
- Remove the door panel
- Remove the panel (4) for the cable lead-in
- Drill out the rivets (5) from the existing loudspeaker. Use a **6 mm (1/4")** diameter drill bit
- Remove the loudspeakers and any rivet swarf from the rivet holes. Also remove any rivet swarf from the door.



4



R3903898

- Place the door panel on a suitable underlay, on a blanket or carpet, for example
- Carefully cut the oil cloth out from the inside of the loudspeaker grille. Cut along the edges of the smaller round hole where the mid-range element is to be positioned.

Note!

Only cut through the oil cloth. Do not damage the underlying fabric.

5



R3903596

- Screw the new loudspeaker into place using the screws, washers and the nuts from the kit (1). The washers must be positioned under the screw heads. Make a hole in the round piece of tape covering the screw hole to insert the rear screw
- Reinstall the panel (2) for the cable lead-in.
- Connect the connectors (3) to the loudspeaker and the module for the door controls
- Reinstall the mechanical cable (4) on the door opener handle (5)
- Reinstall the door panel, the treble loudspeaker and the door handle panel.