



XC90

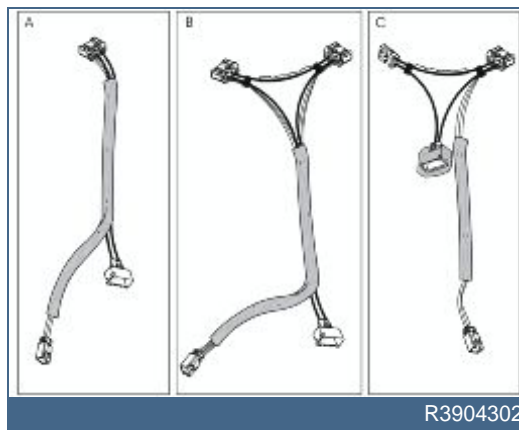
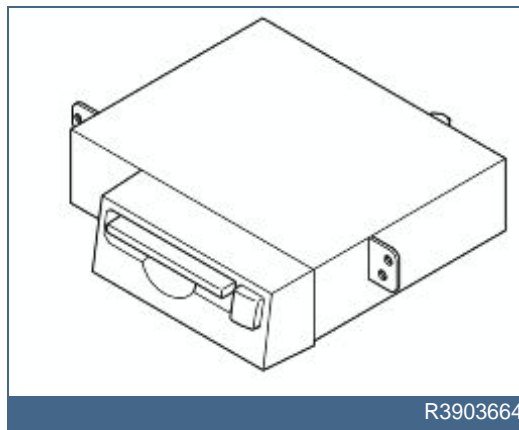
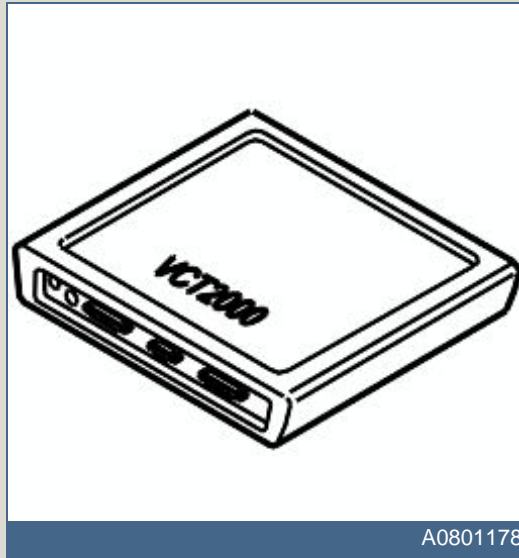
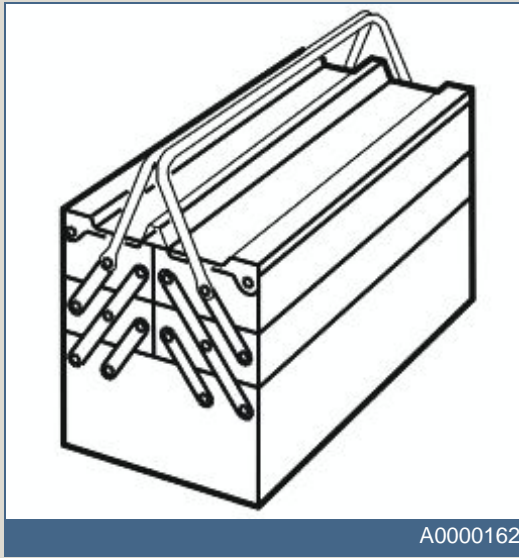
Section	Group	Weight(Kg/Pounds)	Year	Month
3	39		2002	06

XC90 2003, XC90 2004, XC90 2005, XC90 2006, XC90 2007, XC90 2008, XC90 2009, XC90 2010

Replaces issue: 2002 05



Required tools





Any comments on this publication? Please contact your nearest dealer. Thank you!

Publication no: MA 9162268, Issue: 2002-06
Comments:.....
From:.....
Address:.....
Telephone no:.....
Telefax:.....



INTRODUCTION

- **NOTE! Read through the whole installation instruction before starting the work.**
- The front page gives the date of this edition and the edition it replaces
- The second page shows the tools needed for the installation and the contents of the installation kit
- The illustrations display the procedure in order of operation. The order of operation is repeated in the text section
- Cut out the text page in order to follow the illustrations and text at the same time.

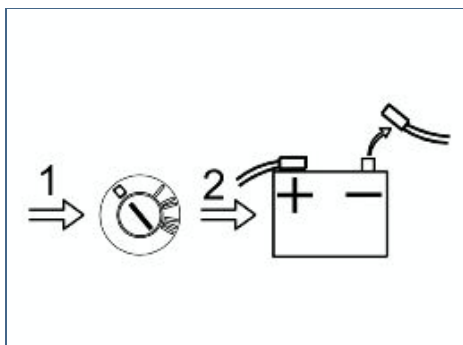
MiniDisc player

Note!

This accessory requires software unique to the car.



1



A8800136

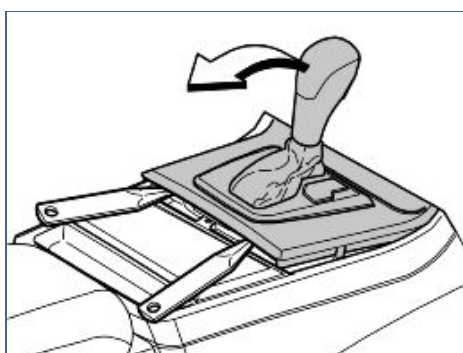
Preparatory work

- Turn the ignition key to position 0
- Disconnect the battery negative lead.

Note!

Wait at least five minutes before disassembling the connectors or removing other electrical equipment.

2



R8504113

Preparatory work

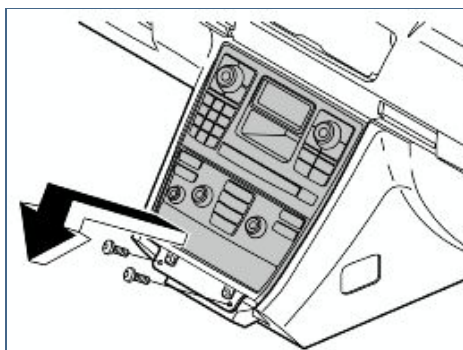
Applies to cars with automatic gearboxes

- Turn the ignition key to position II.

Applies to all models

- Move the gear selector lever to its rearmost position
- Carefully pry off the rear edge of the panel for the gear selector lever using a plastic weatherstrip tool. Pull the panel backwards to access the screws for the dashboard environment panel.

3



R8504051

Preparatory work

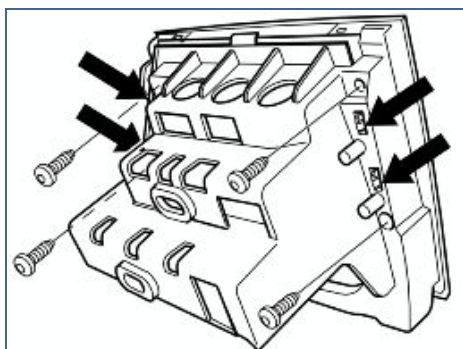
- Remove the two screws holding the bracket for the dashboard environment panel and the control module.

Note!

Pull out the bracket at the lower edge. Pull from the top edge of the centre console.

- Disconnect the connectors from the dashboard environment panel, control module. If applicable disconnect the CD player connector.

4A



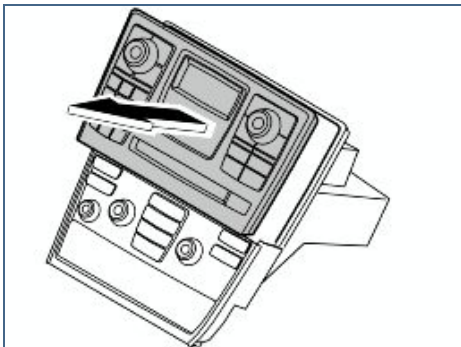
R8504111

Preparatory work

- Position the console with the control module and dashboard environment panel in a suitable position
- Remove the four screws on the reverse holding the control module at the console
- Press in the four catches in the sides of the control module so that they release. Carefully remove the control module.

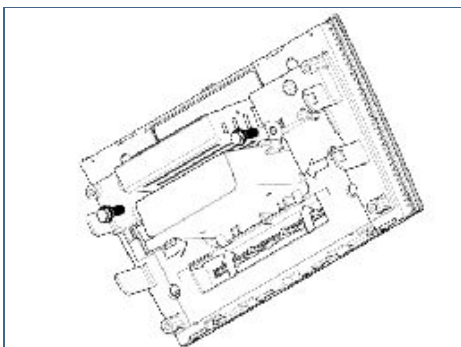


4B



R8504112

5

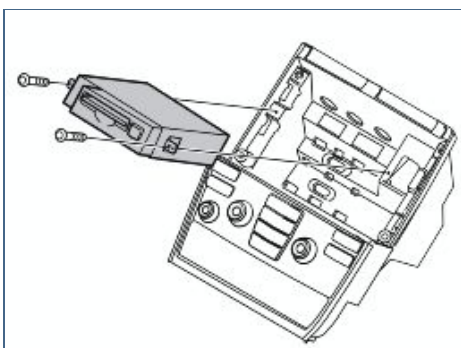


R3903646

Preparatory work

- Remove the centre console locker from the control module. First remove the two screws on the reverse. Then pry off the catches on the sides and underneath. Detach the centre console locker
- Place the control module and centre console locker to one side. The centre console locker will not be reused.

6

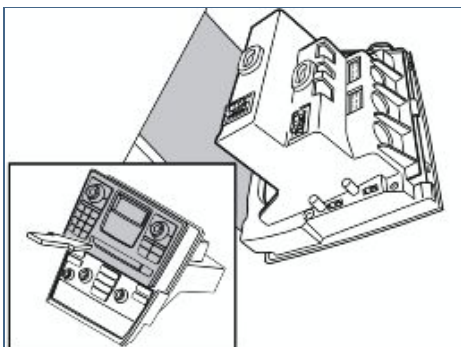


R3903736

Installing the MiniDisc player

- Insert the MiniDisc player in the upper cut-out in the console. Ensure that the locating pins on the sides and on the reverse and the connector locate in the corresponding socket in the bracket
- Take the two screws which secured the centre console locker. Tighten the MiniDisc player
- For aftermarket installation of both a MiniDisc and CD player/changer, install the CD player/changer according to points 5 and 6 in these installation instructions.

7



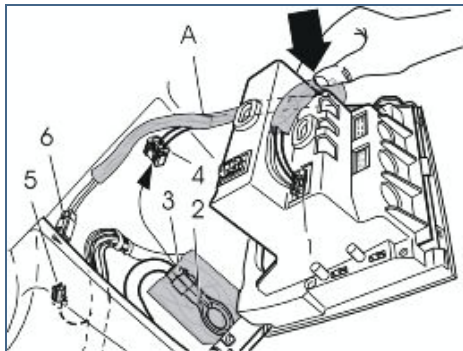
R3903981

Installing the MiniDisc player

- Insert the control module in the bracket. Ensure that its guide mouldings at the bottom edge engage in the corresponding channels at the top of the dashboard environment channel. Press all the way around so that the four catches engage
- Tighten the control unit on the reverse using the four screws
- Position the bracket in the car, in front of the cut-out in the centre console, leaning backwards towards the gear selector lever as illustrated.



8



R3904304

Routing and connecting wiring

Applies to cars without a factory installed player, when only installing a MiniDisc player

- Take the junction cable (A) from the kit (purchased separately)
- Connect the connect (1) on the junction cable to the corresponding connector on the MiniDisc player.

Note!

Be very careful when connecting the connector in the MiniDisc player. The terminal pins in this connector are thin. They are easily damaged and may become pressed into the player if the connector is not installed straight.

- Locate the pre-routed, bridge connector (2) on the fibre optic cable in the centre console, wrapped in foam tape
- Disconnect the connector (3) from the bridged connector (2). Connect it to connector (4) on the junction cable.

Note!

If installing a MiniDisc player and an RTI system at the same time, the junction cable for the RTI system must be connected first to the connector (3). This connector will then be in use, but there is a corresponding connector on the junction cable for the RTI system. Connect this to the connector (4).

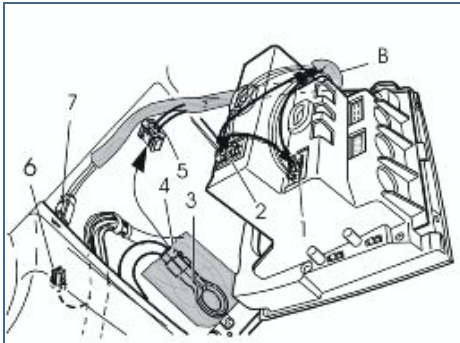
- Find the pre-routed grey connector (5) for power supply in the thick cable harness in the centre console. The connector is located either in the centre console or in the space above the accelerator pedal. To remove the panel above the accelerator panel, slacken off the two Torx screws and then pull the panel free from the clips on the outer edges and unhook it
- Connect the connector (5) to the remaining connector (6) on the junction cable
- Take half of the foam tape from the wiring kit and wrap it around the grey connectors (5, 6). Use the remaining foam tape to tape around the connectors (3, 4).

Note!

The junction cable must be routed around the bracket as illustrated. When reinstalling the bracket in the centre console in the car, the junction cable must be held against the bracket as illustrated. This is to ensure that it remains in position.



9



R3904305

Routing and connecting wiring

Applies to cars without a factory installed player, when installing both a MiniDisc and CD player/changer

- Take out the junction cable (B) (purchased separately) with the four connectors
- Connect the connector (1) on the junction cable to the corresponding connector on the MiniDisc player and connector (2) to the corresponding connector in the CD player/changer. The connectors (1) and (2) are identical. It does not matter which connector is connected to which unit.

Note!

Be very careful when connecting the connectors in the MiniDisc/CD players. The terminal pins in these connectors are thin. They are easily damaged and may become pressed into the players if the connector is not installed straight.

- Locate the pre-routed, bridge connector (3) on the fibre optic cable in the centre console, wrapped in foam tape
- Disconnect the connector (4) from the bridged connector (3). Connect it to connector (5) on the junction cable.

Note!

If installing a MiniDisc player and an RTI system at the same time, the junction cable for the RTI system must be connected first to the connector (4). This connector will then be in use, but there is a corresponding connector on the junction cable for the RTI system. Connect this to the connector (5).

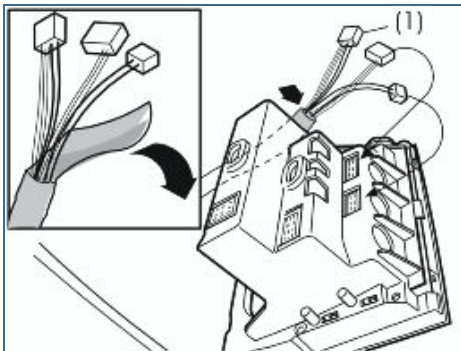
- Find the pre-routed grey connector (6) for power supply in the thick cable harness in the centre console. The connector is located either in the centre console or in the space above the accelerator pedal. To remove the panel above the accelerator panel, slacken off the two Torx screws and then pull the panel free from the clips on the outer edges and unhook it
- Connect the connector (6) to the remaining connector (7) on the junction cable
- Take half of the foam tape from the wiring kit and wrap it around the grey connectors (6, 7). Use the remaining foam tape to tape around the connectors (4, 5).

Note!

The junction cable must be routed around the bracket as illustrated. When reinstalling the bracket in the centre console in the car, the junction cable must be held against the bracket as illustrated. This is to ensure that it remains in position.



10



R3903943

Routing and connecting wiring

Operations 10-14 apply to cars with factory-installed CD players/changers

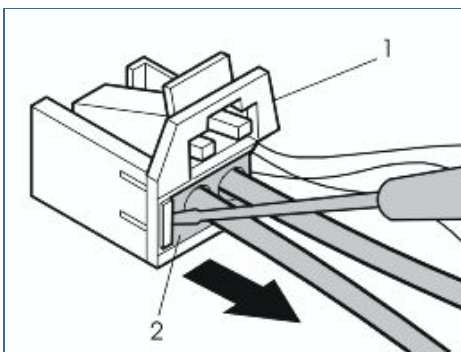
Note!

If installing a MiniDisc player and an RTI system at the same time, the RTI system must be connected according to the installation instructions. Then follow these installation instructions as if the RTI system was not installed. However use the connector in the CD player/changer.

work from the right-hand seat.

- Remove approximately 20 cm of foam tape from the existing cable harness so that the wiring is unimpeded
- Reinstall the connectors for the control module and the dashboard environment panel. Do not connect the connector (1) to the CD player yet.

11



R3903941

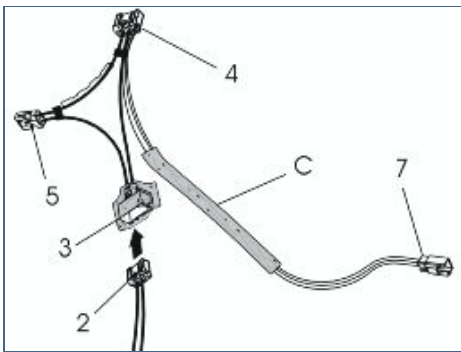
Routing and connecting wiring

- Take the connector (1) which was in the CD player/changer and remove the connector (2) with the fibre optic cable from it. Use a small screwdriver or similar to lift the catch as illustrated. At the same time pull the fibre optic cable outwards to release the connector (2)
- Reinstall the connector (1) which is now without the connector (2) in the CD player/changer.

Note!

Be very careful when connecting the connector in the CD player/changer. The terminal pins in this connector are thin. They are easily damaged and may become pressed into the player if the connector is not installed straight.

12A



R3903940

Routing and connecting wiring

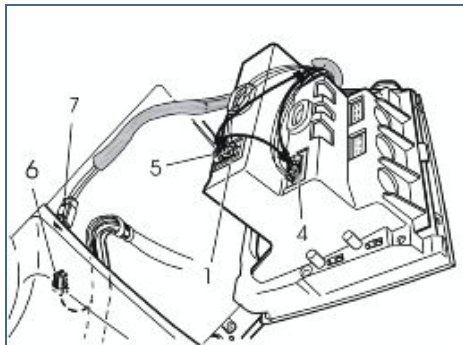
Illustration A

- Take the junction cable (C) (purchased separately) and locate its foam taped connector (3)
- Connect the small connector (2) with the fibre optic cables (disconnected in the previous step) to the connector (3) in the junction cable. There will be a click when the catch engages.

Illustration B



12B



R3904306

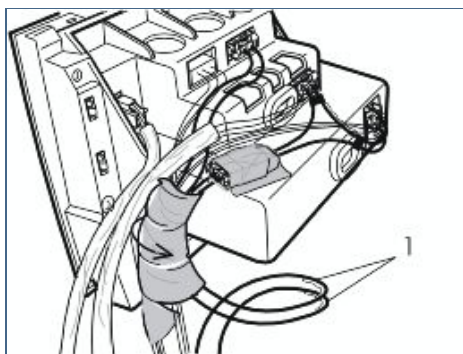
- Connect the connector (4) from the junction cable to the MiniDisc player and the connector (5) from the junction cable to the connector (1) which was reinstalled in the CD player/changer before.

Note!

Be very careful when connecting the connector in the MiniDisc player. The terminal pins in this connector are thin. They are easily damaged and may become pressed into the player if the connector is not installed straight.

- Find the pre-routed grey connector (6) for power supply in the thick cable harness in the centre console. The connector is located either in the centre console or in the space above the accelerator pedal. To remove the panel above the accelerator panel, slacken off the two Torx screws and then pull the panel free from the clips on the outer edges and unhook it
- Connect the connector (6) to the remaining connector (7) on the junction cable
- Take a small piece of the foam tape from the kit and wrap it around the grey connectors (6, 7).

13



R3903937

Routing and connecting wiring

work from the right-hand seat.

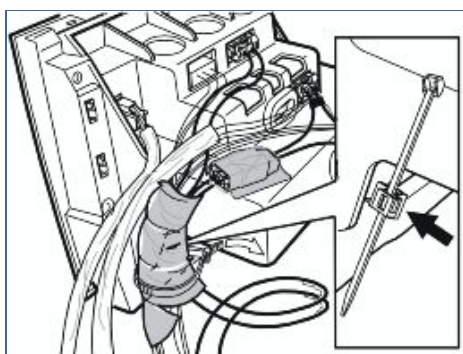
- Position the wiring so that it runs around the bracket as illustrated
- Take half of the remaining foam tape from the wiring kit and wrap it around the cables not already protected.

Note!

There will be excess fibre optic wiring which should be placed in an loop as illustrated.

- Take the two load-removing grommets (1) from the wiring kit and secure it in the loops formed by the fibre optic cable as illustrated.

14



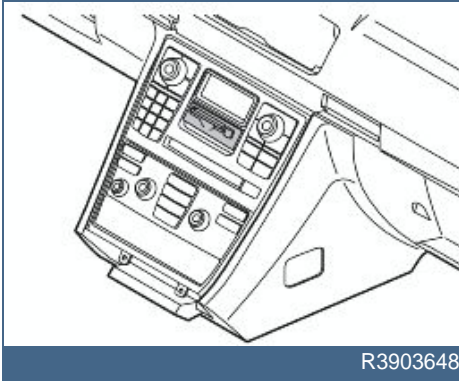
R3903938

Routing and connecting wiring

- Take the corner clip and tie strap from the wiring kit. Press it into place at the top of the underside of the bracket as illustrated
- Tighten the tie strap around the foam taped cable harness to secure the excess fibre optic wiring as illustrated
- Take the remaining strips of foam tape and tape the loop to prevent it from rattling.



15



Finishing work

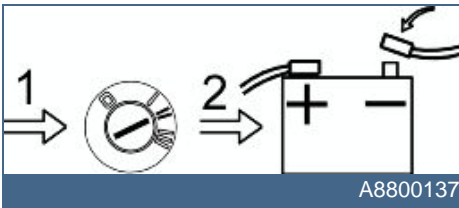
- Connect all the previously disconnected connectors to the control module and the climate control panel if not already done. If the car has a CD player/changer, connect its connector.

Note!

Be very careful when connecting the connector in the CD player/changer. The terminal pins in this connector are thin. They are easily damaged and may become pressed into the player if the connector is not installed straight.

- Position the bracket. Tighten the bracket using the two screws
- Reinstall the gear selector lever panel
- Reinstall the panel above the accelerator pedal if removed.

16



Finishing work

- Turn the ignition key to position II
- Reconnect the battery negative lead
- Program the software according to the service information in VIDA.